

ERCI927SA

Electrolux Range Hood

User Manual




## Contents

1. Product Description .....	2
2. Notes .....	2
3. Packing List .....	3
4. Technical Specifications .....	3
5. Circuit Schematic Diagram .....	4
6. Installation Instructions .....	4
7. Usage Instructions .....	7
8. Maintenance .....	9
9. Troubleshooting .....	10
10. Part Name Diagram .....	11
11. Customer care center .....	12

## Customer Care and Service

The following symbols will be used in this manual, with their explanations as follows:

 Warning! Important information relating to protection of personal safety and avoidance of electrical damage.

 General information and advice

 Environmental protection information

## 1. Product Description

The romantic European range hood has the following six advantages:

1. **Futuristic design, up-to-date styling**  
Streamlined design, elegant and stylish appearance, and touch control, fully showing the cooking experience of blues style.
2. **Large suction and complete removal of fume**  
The integral stretched hood is more suited for the fume collection area in Chinese kitchens. The high exhaust air rate fan ensures fume exhaust in a more thorough manner.
3. **Low noise**  
According to the principle of aerodynamics, the well-designed exhaust system guarantees smooth and quiet operation.
4. **Easy maintenance**  
Large conical filters for air intake are designed on four sides to ensure thorough fume suction, avoid spillage of residual oil, and smoothly converge residual oil into the oil cup, while avoiding the weakness in the maintenance of traditional European range hoods.
5. **Circuit characteristics**  
A unique multi-circuit design is used to ensure no accumulation, no dripping, or seepage.

## 2. Notes

### (1) Child Safety



- ⚠ 1. Do not allow children to extend their fingers or other parts of the body into the range hood.  
Warning: Destroy or recycle the appliance's carton, plastic bags, and any other exterior wrapping material immediately after the product is unpacked. Children should never play with these items.  
Danger of suffocation!

### (2) Precautions for Use

- ⚠ 1. Always use a power supply compliant with the requirements of the appliance. A three-pin power socket must be reliably grounded.
- ⚠ 2. Do not change the specifications of electrical parts, change the internal circuit, or connect other lines.
- ⚠ 3. Do not place electrical parts such as motors and switches in water under any circumstances.
- ⚠ 4. Do not scratch, knot, or squeeze the power cable.
- ⚠ 5. The wall on which the range hood will be installed should be strong enough to bear the dead weight of the range hood itself. The wall must be non-combustible.
- ⚠ 6. The air from the range hood should not be discharged into a flue used to exhaust the fumes from burning gas or other fuels.
- ⚠ 7. Never leave high naked flames under the range hood.
- 🔧 8. If any abnormal conditions occur during use, refer to the troubleshooting section for solutions before contacting the customer service centre. If the fault persists, unplug the power plug of the range hood and contact our customer service centre.
- 🔧 9. Do not dismantle and repair the appliance without authorization. Otherwise, serious consequences may be followed.
- 🔧 10. This appliance is for household use only instead of unintended purposes.
- 🔧 11. When oil residue stored in the oil cup reaches two thirds of its capacity, clean immediately to prevent spillage.
- 🔧 12. If the light is damaged, replace it with a new one with the same specifications.
- 🔧 13. If users do not clean the range hood according to the instructions, there is a risk of fire.
- 🔧 14. When a range hood is used with gas or other fuel-burning stoves, the room must be well-ventilated.

### (3) Environmental Protection

"Environmental protection, benefit of mankind, pollution prevention, and continuous improvement" are the philosophy our company's environmental management. The environmental impact caused by our products in use and after service life is hereby warned to you as follows:

-  1. Waste cartons and plastic bags are recyclable while waste foam is not. Properly classify these wastes after unpacking.
-  2. Every product has a service life. Please scrap the product once it has reached its service life outlined by national regulations. Whether scrapped due to service life expiration or replacement, the product should be sent to the local recycling station for professional classification and recycling.

## 3. Packing List

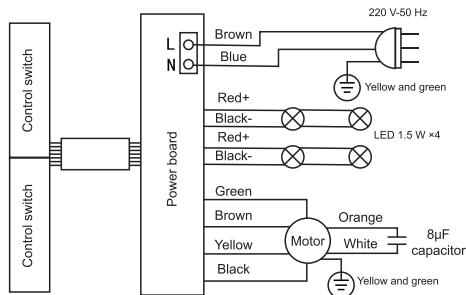
Check for each of the contents of the packing list one by one. If there is anything missing or damaged, please contact the vendor.

S/N	Name	Qty	S/N	Name	Qty
1	Appliance	1 set	7	Lower installation bracket	4 pcs
2	User manual	1 pc	8	External decorative cover	1 pc
3	Warranty card	1 pc	9	Internal decorative cover	1 pc
4	Oil cup	1 pc	10	Air outlet cover	1 pc
5	Ceiling flange	1 pc	11	Air outlet	1 pc
6	Mounting bracket assembly	1 unit	12	Screw pack	1 bag

## 4. Technical Specifications

Model	ERC1927SA
Outline dimension (mm)	1200 × 640 × 680mm
Net weight	48 kg
Power supply	220 V-240 V/50 Hz
Rated power input	226 W
Motor power input	220 W
Lighting power	≤ 1.5 W ×4

## 5. Circuit Schematic Diagram



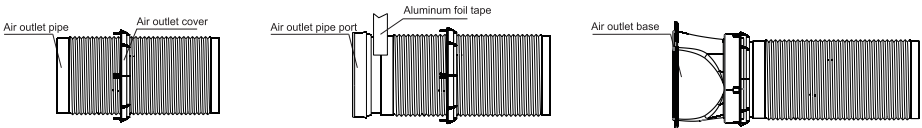
## 6. Installation Instructions

### I. Installation Requirements

1. The installed ceiling must be able to bear the weight of the entire case.
2. To prevent electric shock hazards, range hood should not be in contact with electrical circuits inside or outside of the ceiling and walls.
3. The range hood should not be installed in a place with large convection. Otherwise, the suction performance will be degraded.
4. The range hood should be firmly installed on a ceiling  $\geq 650$  mm above the cooking vessels. The lower the height, the better the smoke suction performance.
5. The distance between the air outlet of the range hood and the upper exhaust hole should be  $\leq 1.5$  m to avoid affecting smoke exhaust performance caused by long air outlets or excessive turns (typically one).
6. Refer to figure 1 for the installation dimensions of the air outlet through a cabinet or ceiling.

### II. Installation Method

1. The reference distance between the bottom of the range hood and the supporting surface of the cooking vessels is 650 mm-800 mm. The space should be no less than 650 mm.
2. As shown in the installation diagram, drill 8 holes of  $\Phi 7$  mm in length in accordance with the spacing shown, insert 8 expansion pipes, then fasten the ceiling flange on the top of the cement ceiling.
3. As shown in the figure below, place the air outlet cover on the air outlet pipe, insert the air outlet pipe port into the air outlet pipe at a depth of around 30 mm, then use an aluminium foil tape to fasten and seal the two together. Last, insert the clasp of the air outlet cover into the mount of the air outlet base.



4. Place the other end of the air outlet pipe outside the room, then ensure that the pipe wall is not bulged or deflated, bends freely, tightly inserted, and that the check valve blade is unobstructed.
5. Pull out the internal decorative cover and fasten it onto the ceiling baffle with the 4 special screws (accessories).
6. Insert the oil cup evenly into the hook on the bottom of the grill and push it evenly into place.
7. Plug the power plug of the appliance into a power socket that is reliably grounded, then try running the machine to ensure that all functions are working normally.

Note: The diameter of the exhaust wall hole should be similar to that of the air outlet pipe, and should not be too small. Otherwise, it will lead to poor smoke exhaust, increased noise, reduced air volume, etc.

III. Installation Reference Diagram

Opening size of the top surface of the air outlet pipe (bottom view):

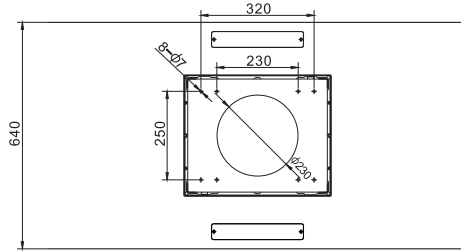
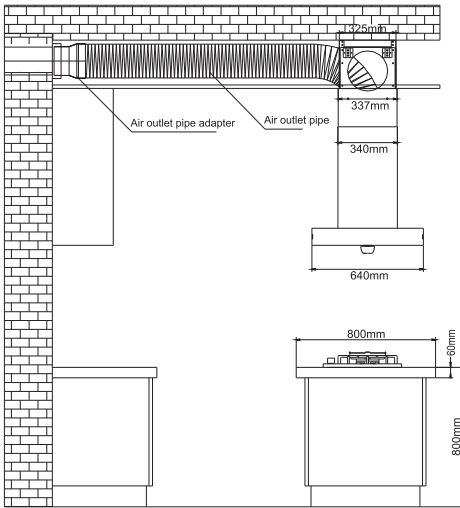
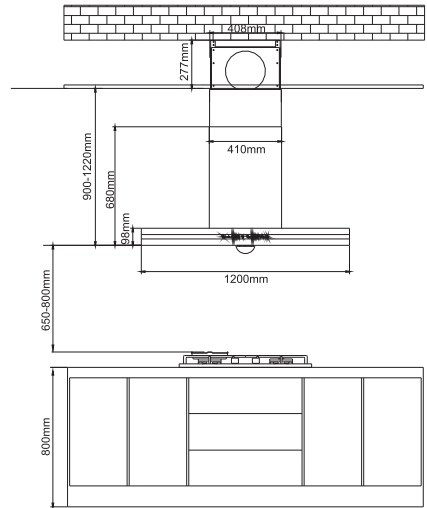


Figure 1

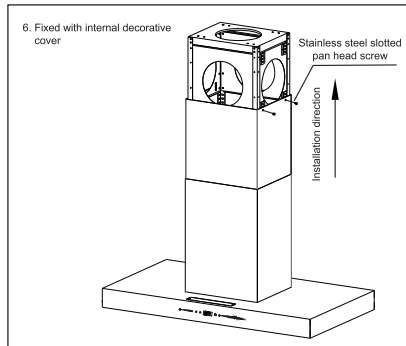
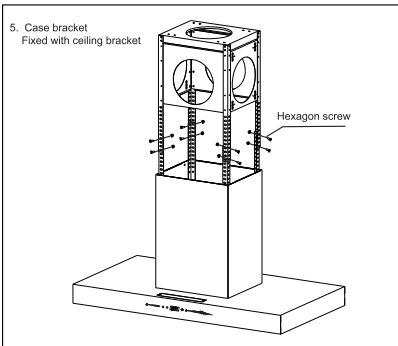
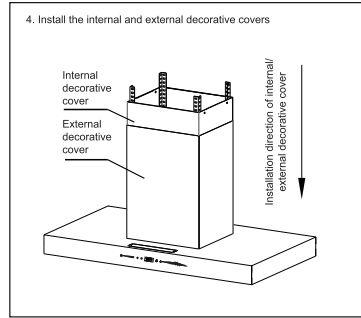
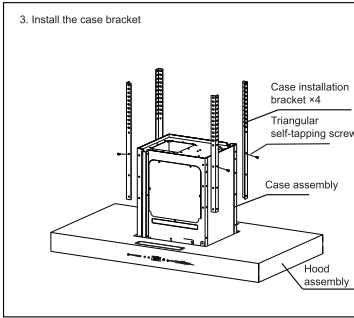
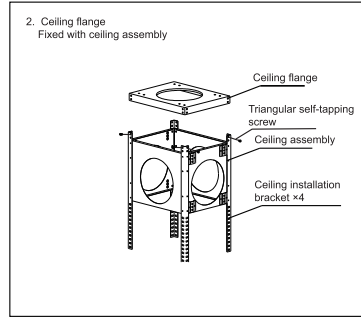
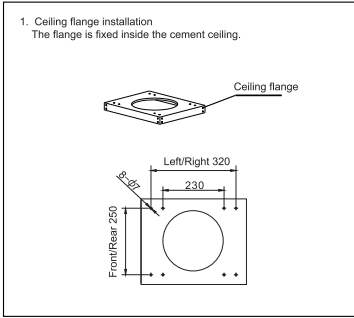
**Installation Diagram:  
Air Outlet Pipe Through Cabinet**



**Installation Diagram:  
Air Outlet Pipe Through Cabinet**



IV. Installation Steps

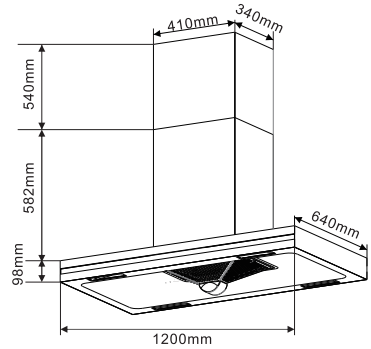


## V. Installation Checklist

The user should first check whether the range hood is well installed.

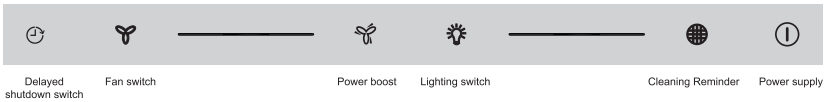
## VI. Power Configuration

After checking that the appliance is properly installed, plug the power plug of the appliance into a power socket that is reliably grounded.



# 7. Usage Instructions

## 1. Switch/Function Buttons Usage



1. Power On: When the appliance is powered on, it will begin a self-check process. The button indicators will light up from left to right, one at a time until all button indicators are lit up. Once completed, all button indicators will turn off and the appliance will shut down. Buttons will not work during the power-on self-check process.
2. Power Button: When the appliance is off, press the "Ⓜ" button to turn it on. The fan function will be activated at this time.
3. Lighting Function: This function is controlled independently rather than by the "Ⓜ" button.

### ● Lighting On

When the appliance is off, press "💡" to activate the lighting. When lighting is activated for the first time after power-on, it will apply the 2nd gear by default. When subsequently turned on, it will use the last gear. When the appliance is off, press the "⚙️" gear button (left to right: 1st gear, 2nd gear, 3rd gear) to set the lighting to the corresponding gear.

Lighting Type: 1st Gear (low brightness), 2nd Gear (medium brightness), 3rd Gear (high brightness).

### ● Lighting Off

When the lighting is on, press "💡" to turn off lighting.

After a 5-minute delayed shutdown, the lighting will turn off along with the fan.

4. Fan Function: This function can only be used when the machine is turned on.

### ● Fan On


When the machine is on, press "🌀" to start the fan. When the appliance is powered on for the first time, the fan will apply the 2nd gear by default. When subsequently turned on, it will use the last gear. When the appliance is on, press the "⚙️" button (left to right: 1st gear, 2nd gear, 3rd gear) to set the fan to the corresponding gear.

Fan Speed: 1st Gear (low speed), 2nd Gear (medium speed), 3rd Gear (high speed).



● **Fan Off**


When the fan is active (including power boost), press “” to turn off the fan.

When the fan is active (including power boost), press “” to turn off the fan and machine (does not affect lighting).

After a 5-minute delayed shutdown, the fan will turn off automatically.

5. **Power Boost**

● **Power Boost On**



When the fan is active, press “” to run the fan at power boost speed for 1 minute. The power boost indicator will light up in breathing light effect.

● **Power Boost Off**

After the power boost gear has been on for 1 minute, the fan will always run at the highest gear. The power boost will not run if the fan is under other gears or off.

6. **Delayed Shutdown**: This function only works when the fan is running.


● **Delayed Shutdown On**

When the fan is running, press “” to shut the fan down after a 5-minute delay. The “” indicator will light up in a breathing light effect until the automatic shutdown is completed.

When delayed shutdown is active, the fan speed can be adjusted without affecting the shutdown function.

● **Delayed Shutdown Off**

Once the 5-minute delayed shutdown period is up, the fan will automatically turn off. If lighting is turned on, the lighting will turn off with the fan.

When delayed shutdown is active, press “” to disable the delayed shutdown function and continue running the fan.

When delayed shutdown is active, press “” to immediately turn off the fan.

7. **Filter Cleaning**

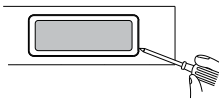
● **Filter Cleaning Reminder**

When the fan has run for a total of 50 hours, the filter indicator will display a solid light to prompt the user to clean or replace the filter. The filter indicator will only display when the fan or lighting is active. The indicator will not be displayed when the machine is off.

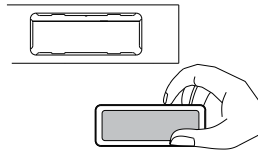
● **Filter Cleaning Reminder Off**

When the user removes the filter for cleaning or replacement, press the “”, filter indicator will turn off.

2 **Light Disassembly**

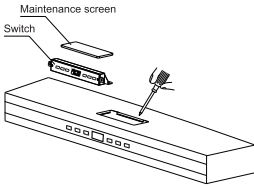


- 1 Extend a small slotted screwdriver or similar objects into the gap between the light cover and the hood.



- 2 Pry up the light from the hood and disconnect the connector. The light can be replaced.

### 3 Switch Disassembly



On the upper part of the mainframe (as shown in the figure), use a screwdriver to unscrew the maintenance screen, remove the maintenance screen, use a screwdriver to unscrew the switch, then remove the switch.

## 8. Maintenance

Maintenance guarantees good performance. Please take good care of your appliance.

Be sure to cut off the power supply before any maintenance operations (hold the plug and remove it).

Perform maintenance operations with gloves to prevent cuts by sharp edges of the appliance.

Remove oil stains on the surface of the strainer and mainframe regularly, and keep the appliance clean.

The strainer should be cleaned after every 3 months of use to ensure proper smoke suction and exhaust performance.

Perform total preventive maintenance every year to clean oil stains and guarantee good performance.

Do not clean the appliance with water or flammable cleaning agent.

#### Removal of Parts

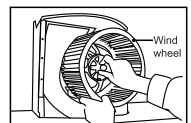
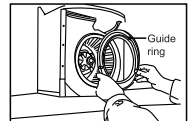
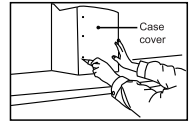
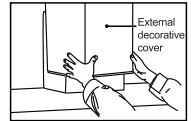
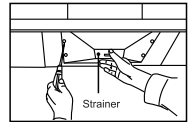
Handle with care while disassembling parts to avoid distortion or damage.

- (1) Grasp the oil cup and pull it out horizontally, then remove the strainer.
- (2) Remove the screws of the internal decorative cover, then pull it downwards.
- (3) Remove the screws of the case brackets and ceiling brackets, remove the entire case, then pull out the decorative cover.
- (4) Remove the screws securing the case cover and remove the case cover.
- (5) Remove the screws securing the guide ring and remove the guide ring.
- (6) Remove the wind wheel cap in the direction as indicated by the arrow and remove the wind wheel.
- (7) After maintenance operations, reinstall parts in the reverse order of removal.

#### Cleaning of Parts

- (1) Please use neutral detergent, soft cloth and soft brush for cleaning parts. Do not use organic solvents.
- (2) Please soak parts for 30 minutes before cleaning. Avoid deformation or damage during cleaning.
- (3) Upon completion of part cleaning, rinse parts with fresh water and wipe dry with a soft cloth.
- (4) Use a soft dry cloth and a soft brush to clean the electrical parts. Never clean with water or detergent.
- (5) If users do not clean the appliance according to the instructions, there may be a risk of fire.

**Note: Maintenance of the range hood must be carried out by a trained professional.**



## 9. Troubleshooting

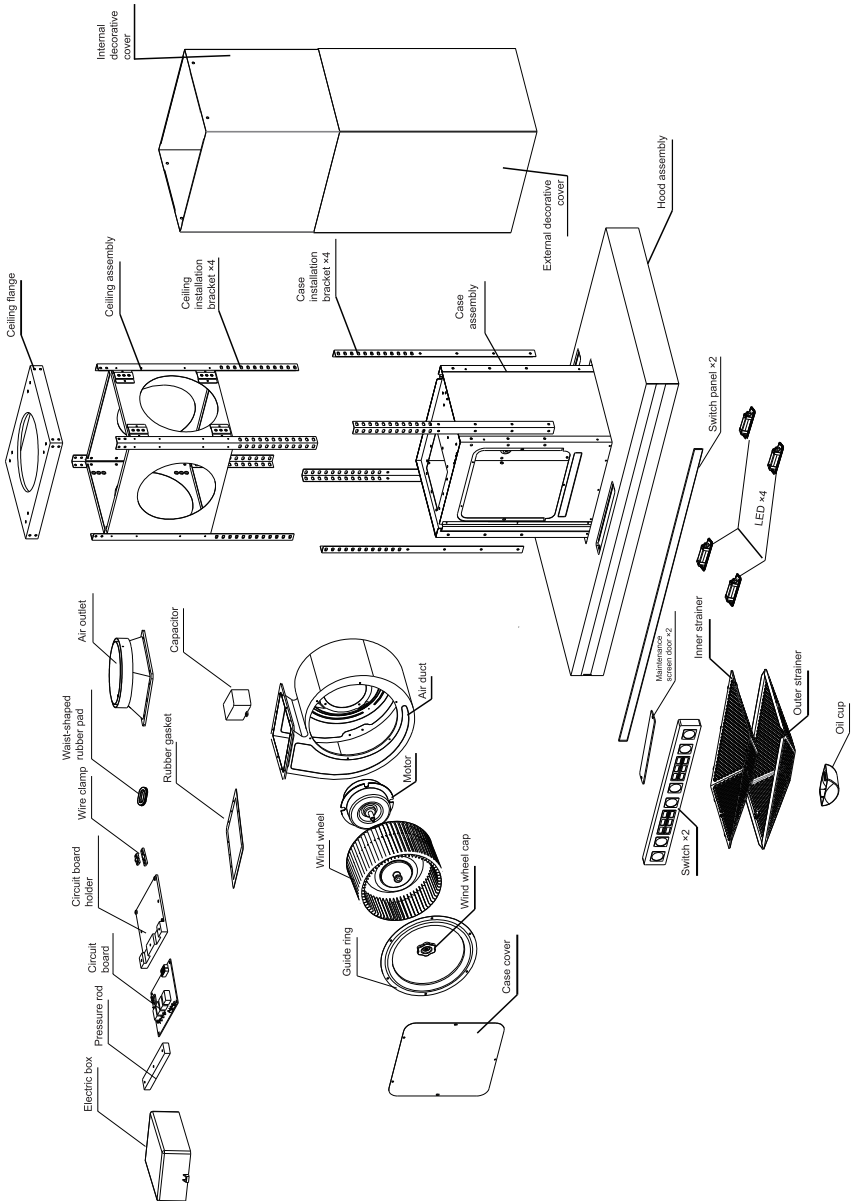
- Always remove the power plug before troubleshooting

Problem	Possible Cause	Solution
Both the light and motor do not work	The power plug is not properly connected	Connect the power plug properly
	No power output	Ask an electrician for help
The motor works but the light is not lit up	The light is damaged	Replace with a new light (Please contact our customer service centre for door-to-door service)
	The PC board is damaged	Replace with a new PC board (Please contact our customer service centre for door-to-door service)
The light works but the motor is not working	The capacitor has poor contact or is damaged	Contact the customer service centre for door-to-door service
	The motor is damaged or the power board is damaged	Contact the customer service centre for door-to-door service
The running wind wheel is noisy	The wind wheel is loose and the cap is not tightened	Tighten the cap
1st gear is not working but other gears work	The control switch is faulty	Replace with a new switch (Please contact our customer service centre for door-to-door service)
Poor suction performance	Too high installation height	Reduce the installation height
	Two of the wind screens aren't fully open	Check that wind screens should be flexibly rotated
	Too large convection around the appliance	Close doors and windows if applicable
	Too much oil stain	Clean oil stain
	Maximum speed is not set	Set to the maximum speed

### Warning:

1. Please cut off the power supply before connecting or replacing plug-ins.
2. A damaged power cable must be replaced by a skilled person from the manufacturer, its repair department or other similar departments.
3. Do not suck flame into the appliance. Otherwise, there may be a risk of fire.

## 10. Part Name Diagram



# CONSUMER CARE CENTER

<p>Thailand  Consumer Care Tel : (+66 2) 725 9000  Electrolux Thailand Co., Ltd.  Electrolux Building 14th Floor  1910 New Phetchaburi Road,  Bangkapi, Huai Khwang, Bangkok 10310  Office Tel : (+66 2) 7259100  Office Fax : (+66 2) 7259299  Email : customercarethai@electrolux.com</p>	<p>Singapore  Consumer Care Center Tel: (+65) 6727 3699  Electrolux S.E.A. Pte Ltd.  351 Braddell Road  #01-04, 351 On Braddell  Singapore 579713  Email : customer-care.sin@electrolux.com</p>
<p>Indonesia  Hotline service: 08041119999  PT. Electrolux Indonesia  Electrolux Building  Jl.Abdul Muis No.34, Petojo Selatan,  Gambir Jakarta Pusat 10160  Email:customercare@electrolux.co.id  SMS &amp; WA : 0812.8088.8863</p>	<p>Philippines  Consumer Care Center Toll Free:  1-800-10-845-CARE(2273)  Consumer Care Hotline:(+63 2)845-CARE(2273)  Electrolux Philippines,Inc.  Unit B 12F Cyber Sigma Bldg, Lawton Avenue,  McKinley West,Taguig, Philippines 1634  Trunkline:+63 2 737-4757  Website:www.electrolux.com.ph  Email:wecare@electrolux.com</p>
<p>Vietnam  Consumer Care Center Toll Free  1800-58-88-99  Tel: (+84 28) 39105465  Electrolux Vietnam Ltd.  Unit 1&amp;2, 10F Sofic Tower, #10 Mai Chi Tho  Street,  Thu Thiem Ward, Thu Duc City, Ho Chi  Minh City, Vietnam</p>	<p>Malaysia  Consumer Care Center Tel: 1300-88-11-22  Electrolux Home Appliances Sdn. Bhd.  Corporate Office Address: Unit T2-7, 7th Floor,  Tower 2, PJ33, No. 3, Jalan Semangat,  Seksyen 13, 46200 Petaling Jaya, Selangor.  Office Tel : (+60 3) 7843 5999  Office Fax : (+60 3) 7955 5511  Consumer Care Center Address: Lot C6, No. 28,  Jalan 15/22, Taman Perindustrian Tiong Nam,  40200 Shah Alam, Selangor  Consumer Care Center Fax : (+60 3) 5524 2521  Email : malaysia.customercare@electrolux.com</p>
<p>HONG KONG  SERVICE HOTLINE: (+852) 3193 9888  DCH ELECTRICAL APPLIANCES  SERVICE CENTRE  4/F, DCH BUILDING, 20 KAI CHEUNG  ROAD,  KOWLOON BAY, HONG KONG  EMAIL: customercare@dch.com.hk  WEBSITE: www.electrolux.com.hk</p>	<p>India  Electrolux India Private Limited.  1st Floor, Plus Offices, Landmark Cyber Park,  Sector 67, Gurugram--122018 Haryana, India  Contact Number: 1800 202 1800  Website: www.electrolux.in</p>

**[www.electrolux.com](http://www.electrolux.com)**

## **The Thoughtful Design Innovator.**

Do you remember the last time you opened a gift that made you say, “Oh! How did you know? That’s exactly what I wanted!” That’s the kind of feeling that we at Electrolux seek to evoke in everyone who chooses or uses one of our products. We devote time, knowledge, and a great deal of thought to anticipating and creating the kind of appliances that our customers really need and want.

This kind of thoughtful care means innovating with insight. Not design for design’s sake, but design for the user’s sake. For us, thoughtful design means making appliances easier to use and tasks more enjoyable to perform, freeing our customers to experience the ultimate 21st century luxury: ease of mind. Our aim is to make this ease of mind more available to more people in more parts of their everyday lives, all over the world.

The “Thinking of you” promise from Electrolux goes beyond meeting the needs of today’s consumers. It also means we’re committed to making appliances safe for the environment—now and for future generations.

Electrolux. Thinking of you.

Share more of our thinking at  
**[www.electrolux.com](http://www.electrolux.com)**



Version No.: MU-H-202205