



Refrigerator

User manual

Free Standing Appliance

SAMSUNG



Contents

Safety information	3
What you need to know about the safety instructions	3
Important safety symbols and precautions:	5
Important safety precautions	6
Severe warning signs for transportation and site	9
Critical installation warnings	10
Installation cautions	14
Critical usage warnings	14
Usage cautions	19
Cleaning cautions	22
Critical disposal warnings	24
Additional tips for proper usage	25
Instructions about the WEEE	26
Installation	27
Refrigerator at a glance	27
Step-by-step installation	29
Door removal for entrance	35
Operations	39
Family hub home screen	39
Soft buttons	40
Fridge Manager	41
Display reset (applicable models only)	41
SmartThings	42
Recommendations for voice recognition	45
Dispenser panel (applicable models only)	46
Special features	47
Maintenance	55
Handle and care	55
Cleaning	57
Replacement	58
Troubleshooting	59
General	59
Do you hear abnormal sounds from the refrigerator?	63
SmartThings	65
LCD	66



Safety information

Before using your new Samsung Refrigerator, please read this manual thoroughly to ensure that you know how to operate the features and functions that your new appliance offers safely and efficiently.

What you need to know about the safety instructions

- Warnings and Important Safety Instructions in this manual do not cover all possible conditions and situations that may occur.
It is your responsibility to use common sense, caution, and care when installing, maintaining, and operating your appliance.
- Because these following operating instructions cover various models, the characteristics of your refrigerator may differ slightly from those described in this manual and not all warning signs may be applicable. If you have any questions or concerns, contact your nearest service center or find help and information online at www.samsung.com.
- R-600a or R-134a is used as a refrigerant. Check the compressor label on the rear of the appliance or the rating label inside the fridge to see which refrigerant is used for your appliance. When this product contains flammable gas (Refrigerant R-600a), contact your local authority in regard to safe disposal of this product.
- In order to avoid the creation of a flammable gas-air mixture if a leak in the refrigerating circuit occurs, the size of the room in which the appliance may be sited depends on the amount of refrigerant used.

Safety information

- Never start up an appliance showing any signs of damage. If in doubt, consult your dealer. The room must be 1 m³ in size for every 8 g of R-600a refrigerant inside the appliance.
The amount of refrigerant in your particular appliance is shown on the identification plate inside the appliance.
- Refrigerant squirting out of the pipes could ignite or cause an eye injury. When refrigerant leaks from the pipe, avoid any naked flames and move anything flammable away from the product and ventilate the room immediately.
 - Failing to do so may result in fire or explosion.
- To avoid contamination of food, please respect the following instructions:
 - Opening the door for long periods can cause a significant increase of the temperature in the compartments of the appliance.
 - Clean regularly surfaces that can come in contact with food and accessible drainage systems.
 - Clean water tanks if they have not been used for 48 h; flush the water system connected to a water supply if water has not been drawn for 5 days.
 - Store raw meat and fish in suitable containers in the refrigerator, so that it is not in contact with or drip onto other food.
 - Two-star frozen-food compartments are suitable for storing pre-frozen food, storing or making icecream and making ice cubes.
 - One-, two- and three-star compartments are not suitable for the freezing of fresh food.

-
- If the refrigerating appliance is left empty for long periods, switch off, defrost, clean, dry, and leave the door open to prevent mould developing within the appliance.

Important safety symbols and precautions:

Please follow all safety instructions in this manual. This manual uses the following safety symbols.

WARNING

Hazards or unsafe practices that may result in **severe personal injury, property damage, and/or death.**

CAUTION

Hazards or unsafe practices that may result in **severe personal injury and/or property damage.**

NOTE

Useful information that helps users understand or benefit from the refrigerator.

These warning signs are here to prevent injury to you and others.

Please follow them carefully.

After reading this section, keep it in a safe place for future reference.

Safety information

Important safety precautions



Warning; Risk of fire / flammable materials

WARNING

- When positioning the appliance, ensure the supply cord is not trapped or damaged.
- Do not locate multiple portable socket-outlets or portable power supplies at the rear of the appliance.
- Fill with potable water only.
- Connect to potable water supply only.
- Keep ventilation openings, in the appliance enclosure or in the built-in structure, clear of obstruction.
- Do not use mechanical devices or any other means to accelerate the defrosting process, other than those recommended by the manufacturer.
- Do not damage the refrigerant circuit.
- Do not use electrical appliances inside the food storage compartments of the appliance, unless they are of the type recommended by the manufacturer.

- This appliance is not intended for use by persons (including children) with reduced physical, sensory, or mental capabilities, or those who lack experience and knowledge, unless they have been given supervision or instruction concerning the use of the appliance by a person responsible for their safety.

- This appliance can be used by children aged from 8 years and above and persons with reduced physical, sensory or mental capabilities or lack of experience and knowledge if they have been given supervision or instruction concerning use of the appliance in a safe way and understand the hazards involved. Children shall not play with the appliance. Cleaning and user maintenance shall not be made by children without supervision. Children aged from 3 to 8 years are allowed to load and unload refrigerating appliances.
- If the supply cord is damaged, it must be replaced by the manufacturer, its service agent or similarly qualified persons in order to avoid a hazard.
- The socket must be easily accessible so that the appliance can be quickly disconnected from the supply in an emergency.
 - It must be outside the area of the rear of the appliance.
- Do not store explosive substances such as aerosol cans with a flammable propellant in this appliance.
- If the product is equipped with LED lamps, do not disassemble the Lamp Covers and LED lamps yourself.
 - Contact a Samsung service center.
 - Use only the LED Lamps provided by the manufacturer or its service agents.
- New hose-sets supplied with the appliance are to be used and old hose-sets should not be reused.
- Have the refrigerator's water supply connected only to a potable water supply. To operate the ice maker properly, water pressure of 206-861 kPa (30-125 psi) is required.



Safety information

- For the most efficient use of energy, please keep the all inner fittings such as baskets, drawers, shelves on the position supplied by manufacturer.
- To get the best energy efficiency of this product, please leave all shelves, drawers and baskets on their original position.

How to minimize the energy consumption

- Install the appliance in a cool, dry room with adequate ventilation.
- Ensure that it is not exposed to direct sunlight and never put it near a direct source of heat (radiator, for example).
 - Not to block any vents or grilles is recommended for energy efficiency.
 - Allow warm food to cool down before placing it in the appliance.
 - Put frozen food in the refrigerator to thaw. You can then use the low temperatures of the frozen products to cool food in the refrigerator.
 - Do not keep the door of the appliance open for too long when putting food in or taking food out.
 - The shorter time for which the door is open, the less ice will form in the freezer.
 - Clean the rear of the refrigerator regularly. Dust increases energy consumption.
 - Do not set temperature colder than necessary.
 - Ensure sufficient air exhaust at the refrigerator base and at the back wall of the refrigerator. Do not cover air vent openings.



-
- Allow clearance to the right, left, back and top when installing. This will help reduce power consumption and keep your energy bills lower.

This appliance is intended to be used in household and similar applications such as

- staff kitchen areas in shops, offices and other working environments;
- farm houses and by clients in hotels, motels and other residential type environments;
- bed and breakfast type environments;
- catering and similar non-retail applications.

Severe warning signs for transportation and site

WARNING

- When transporting and installing the appliance, care should be taken to ensure that no parts of the refrigerating circuit are damaged.
 - Refrigerant leaking from the pipe work could ignite or cause an eye injury. If a leak is detected, avoid any naked flames or potential sources of ignition and air the room in which the appliance is standing for several minutes.

Safety information

- This appliance contains a small amount of isobutane refrigerant (R-600a), a natural gas with high environmental compatibility that is, however, also combustible. When transporting and installing the appliance, care should be taken to ensure that no parts of the refrigerating circuit are damaged.
- When transporting and installing the refrigerator, do not touch the water hose on the back side of the refrigerator.
 - This may damage the refrigerator and as a result the water dispenser can not be used.

Critical installation warnings

WARNING

- Do not install the refrigerator in a damp location or place where it may come in contact with water.
 - Deteriorated insulation on electrical parts may cause an electric shock or fire.
- Do not place this refrigerator in direct sunlight or expose it to the heat from stoves, room heaters, or other appliances.
- Do not plug several appliances into the same multiple power strip. The refrigerator should always be plugged into its own individual electrical outlet which has a voltage rating that matches the voltage listed on the refrigerator's rating plate.
 - This provides the best performance and also prevents overloading of house wiring circuits, which could cause a fire hazard from overheated wires.

-
- If the wall socket is loose, do not insert the power plug.
 - There is a risk of electric shock or fire.
 - Do not use a power cord that has cracks or abrasion damage along its length or at either end.
 - Do not bend the power cord excessively or place heavy objects on it.
 - Do not pull or excessively bend the power cord.
 - Do not twist or tie the power cord.
 - Do not hook the power cord over a metal object, place a heavy object on the power cord, insert the power cord between objects, or push the power cord into the space behind the appliance.
 - When moving the refrigerator, be careful not to roll over or damage the power cord.
 - This may result in an electric shock or fire.
 - Never unplug your refrigerator by pulling on the power cord. Always grip the plug firmly and pull straight out from the outlet.
 - Damage to the cord may cause a short-circuit, fire, and/or electric shock.
 - Do not use aerosols near the refrigerator.
 - Using aerosols near the refrigerator may cause an explosion or fire.
 - Do not install this appliance near a heater or inflammable material.
 - Do not install this appliance in a location where gas may leak.
 - This may result in an electric shock or fire.

Safety information

- This refrigerator must be properly located and installed in accordance with the instructions in this manual before you use it.
- Connect the power plug in the proper position with the cord hanging down.
 - If you connect the power plug upside down, the wire can get cut off and cause a fire or electric shock.
- Make sure that the power plug is not crushed or damaged by the back of the refrigerator.
- Keep the packing materials out of reach of children.
 - There is a risk of death from suffocation if a child puts the packing materials on his or her head.
- Do not install this appliance in a humid, oily or dusty location, in a location exposed to direct sunlight and water (rain drops).
 - Deteriorated insulation of electrical parts may cause an electric shock or fire.
- If any dust or water is in the refrigerator, pull out power plug and contact your Samsung Electronics service center.
 - Otherwise there is a risk of fire.
- Do not stand on top of the appliance or place objects (such as laundry, lighted candles, lighted cigarettes, dishes, chemicals, metal objects, etc.) on the appliance.
 - This may result in an electric shock, fire, problems with the product, or injury.
- You need to remove all the protective plastic film before you initially plug the product in.

- Children should be supervised to ensure that they do not play with the snap rings used for door adjustment or the water tube clips.
 - There is risk of death by suffocation if a child swallows a snap ring or water tube clip. Keep the snap rings and water tube clips out of children's reach.
- The refrigerator must be safely grounded.
 - Always make sure that you have grounded the refrigerator before attempting to investigate or repair any part of the appliance. Power leakages can cause severe electric shock.
- Never use gas pipes, telephone lines, or other potential lightning attractors as an electrical ground.
 - You must ground the refrigerator to prevent any power leakages or electric shocks caused by current leakage from the refrigerator.
 - This may result in an electric shock, fire, explosion, or problems with the product.
- Plug the power plug into the wall socket firmly. Do not use a damaged power plug, damaged power cord, or loose wall socket.
 - This may result in an electric shock or fire.
- The fuse on the refrigerator must be changed by a qualified technician or service company.
 - Failing to do so may result in an electric shock or personal injury.

Safety information

Installation cautions

CAUTION

- Allow sufficient space around the refrigerator and install it on a flat surface.
 - If your refrigerator is not level, cooling efficiency and durability can be declined.
- Allow the appliance to stand for 2-3 hours before loading foods after installation and turning on.
- We strongly recommend you have a qualified technician or service company install the refrigerator.
 - Failing to do so may result in an electric shock, fire, explosion, problems with the product, or injury.

Critical usage warnings

WARNING

- Do not insert the power plug into a wall socket with wet hands.
 - This may result in an electric shock.
- Do not store articles on the top of the appliance.
 - When you open or close the door, the articles may fall and cause personal injury and/or material damage.
- Do not insert hands, feet or metal objects (such as chopsticks, etc.) into the bottom or the back of the refrigerator.
 - This may result in an electric shock or injury.
 - Any sharp edges may cause a personal injury.

- Do not touch the inside walls of the freezer or products stored in the freezer with wet hands.
 - This may cause frostbite.
- Do not put a container filled with water on the refrigerator.
 - If spilled, there is a risk of fire or electric shock.
- Do not keep volatile or flammable objects or substances (benzene, thinner, propane gas, alcohol, ether, LP gas, and other such products) in the refrigerator.
 - This refrigerator is for storing food only.
 - This may result in fire or explosion.
- Children should be supervised to ensure that they do not play with the appliance.
 - Keep fingers out of “pinch point” areas. Clearances between the doors and cabinet are necessarily small. Be careful when you open the doors if children are in the area.
- Do not put your fingers or children's fingers between the doors.
 - Keep fingers out of the left and right door gaps. Be careful when you open the doors if your fingers are in between the doors.
- Do not let children hang on the door or door bins. A serious injury may occur.
- Do not let children go inside the refrigerator. They could become trapped.
- Do not insert your hands into the bottom area under the appliance.
 - Any sharp edges may cause personal injury.

Safety information

- Do not store pharmaceutical products, scientific materials, or temperature sensitive products in the refrigerator.
 - Products that require strict temperature controls must not be stored in the refrigerator.
- If you smell pharmaceutical or smoke, pull out power plug immediately and contact your Samsung Electronics service center.
- If any dust or water is in Refrigerator, pull out power plug and contact your Samsung Electronics service center.
 - Otherwise there is a risk of fire.
- Do not let children step on a drawer.
 - The drawer may break and cause them to slip.
- Do not leave the doors of the refrigerator open while the refrigerator is unattended and do not let children enter inside the refrigerator.
- Do not allow babies or children go inside the drawer.
 - It can cause death from suffocation by entrapment or personal injury.
- Do not overfill the refrigerator with food.
 - When you open the door, an item may fall out and cause personal injury or material damage.
- Do not spray volatile material such as insecticide onto the surface of the appliance.
 - As well as being harmful to humans, it may also result in an electric shock, fire, or problems with the product.
- Never put fingers or other objects into the water dispenser hole, ice chute and ice maker bucket.
 - It may cause a personal injury or material damage.

- Do not use or place any substances sensitive to temperature such as flammable sprays, flammable objects, dry ice, medicine, or chemicals near or inside of the refrigerator.
- Do not use a hair dryer to dry the inside of the refrigerator. Do not place a lighted candle in the refrigerator for removing bad odours.
 - This may result in an electric shock or fire.
- Fill the water tank, ice tray and water cubes only with potable water (mineral water or purified water).
 - Do not fill the tank with tea, juice or sports drink, this may damage the refrigerator.
- Do not stand on top of the appliance or place objects (such as laundry, lighted candles, lighted cigarettes, dishes, chemicals, metal objects, etc.) on the appliance. This may result in an electric shock, fire, problems with the product, or injury. Do not put a container filled with water on the appliance.
 - If spilled, there is a risk of fire or electric shock.
- Never stare directly at the UV LED lamp for long periods of time.
 - This may result in eye strain due to the ultraviolet rays.
- Do not put shelf in upside down. Shelf stopper could not work.
 - It may cause a personal injury because of glass shelf drop.
- If a gas leak is detected, avoid any naked flames or potential sources of ignition, and air the room in which the appliance is standing for several minutes.
 - Do not touch the appliance or power cord.

Safety information

- Do not use a ventilating fan.
- A spark may result in explosion or fire.
- Bottles should be stored tightly together so that they do not fall out.
- This product is intended only for the storage of food in a domestic environment.
- Do not attempt to repair, disassemble, or modify the refrigerator yourself.
- Do not use any fuse (such as cooper, steel wire, etc.) other than a standard fuse.
- If your refrigerator needs to be repaired or reinstalled, contact your nearest service center.
 - Failing to do so may result in an electric shock, fire, problems with the product, or injury.
- If the refrigerator emits a burning smell or smoke, unplug the refrigerator immediately and contact your Samsung Electronics service center.
 - Failing to do so may result in an electric or fire hazards.
- Pull the power plug out of the socket before changing the interior lamps of the refrigerator.
 - Otherwise, there is a risk of electric shock.
- If you experience difficulty changing a non-LED light, contact a Samsung service center.
- Plug the power plug into the wall socket firmly.
- Do not use a damaged power plug, damaged power cord or loose wall socket.
 - This may result in an electric shock or fire.

Usage cautions

CAUTION

- Do not refreeze thawed food.
 - Frozen and thawed food will develop harmful bacteria faster than fresh.
 - The second thaw will break down even more cells, leaching out moisture and changing the integrity of the product.
- Do not thaw meat at room temperature.
 - Safety will depend on whether the raw product was handled properly.
- Do not place glass bottles or carbonated beverages into the freezer.
 - The container may freeze and break, and this may result in injury.
- Use only the ice maker provided with the refrigerator.
- If you will be away from home for a long period of time (on vacation, for example) and won't be using the water or ice dispensers, close the water valve.
 - Otherwise, water leakage may occur.
- If you won't be using the refrigerator for a very long period of time, (3 weeks or more) empty the refrigerator including the ice bucket, unplug it, close the water valve, wipe excess moisture from the inside walls, and leave the doors open to prevent odors and mold.
- To get the best performance from the product:
 - Do not place food too close to the vents at the rear of the refrigerator as this can obstruct free air circulation in the refrigerator compartment.

Safety information

- Wrap food up properly or place it in airtight containers before putting it into the refrigerator.
- Please observe maximum storage times and expiration dates of frozen goods.
- There is no need to disconnect the refrigerator from the power supply if you will be away for less than three weeks. However, if you will be away for more than three weeks, remove all the food and ice in the ice bucket, unplug the refrigerator, close the water valve, wipe excess moisture from the inside walls, and leave the doors open to prevent odors and mold.
- Service Warranty and Modification.
 - Any changes or modifications performed by a 3rd party on this finished appliance are not covered under Samsung warranty service, nor is Samsung responsible for safety issues that result from 3rd party modifications.
- Do not block the air vents inside the refrigerator.
 - If the air vents are blocked, especially with a plastic bag, the refrigerator can be over cooled. If a cooling period lasts too long, the water filter may break and cause water leakage.
- Use only the ice-maker provided with the refrigerator.
- Wipe excess moisture from the inside and leave the doors open.
 - Otherwise, odor and mold may develop.
- If the refrigerator is disconnected from the power supply, you should wait for at least five minutes before plugging it back in.

-
- When the refrigerator got wet by water, pull out the power plug and contact your Samsung Electronics service center.
 - Do not strike or apply excessive force to any glass surface.
 - Broken glass may result in a personal injury and/or property damage.
 - Fill the water tank and ice cube trays with potable water only (tap water, mineral water, or purified water).
 - Do not fill the tank with tea or a sports drink. This may damage the refrigerator.
 - Be careful that your fingers are not caught in.
 - If the refrigerator is flooded, make sure to contact your nearest service center.
 - There is a risk of electric shock or fire.
 - Do not keep vegetable oil in your refrigerator's door bins. The oil can solidify, making it foul-tasting and difficult to use. In addition, the open container can leak and the leaked oil can cause the door bin to crack. After opening an oil container, it is best to keep the container in a cool and shaded place such as a cupboard or pantry.
 - Examples of vegetable oil: olive oil, corn oil, grape-seed oil, etc.

Safety information

Cleaning cautions

CAUTION

- Do not spray water directly on the inside or outside the refrigerator.
 - There is a risk of fire or electric shock.
- Do not use a hair dryer to dry the inside of the refrigerator.
- Do not place a lighted candle in the refrigerator to remove bad odors.
 - This may result in an electric shock or fire.
- Do not spray cleaning products directly on the display.
 - Printed letters on the display may come off.
- If any foreign substance such as water has entered the appliance, unplug the power plug and contact your nearest service center.
 - Failing to do so may result in an electric shock or fire.
- Use a clean, dry cloth to remove any foreign matter or dust from the power plug blades. Do not use a wet or damp cloth when cleaning the plug.
 - Otherwise, there is a risk of fire or electric shock.
- Do not clean the appliance by spraying water directly onto it.
- Do not use benzene, thinner, or Clorox, Chloride for cleaning.
 - They may damage the surface of the appliance and may cause a fire.
- Never put fingers or other objects into the dispenser hole.
 - It may cause a personal injury or material damage.

-
- Before cleaning or performing maintenance, unplug the appliance from the wall socket.
 - Failing to do so may result in an electric shock or fire.
 - Use a clean sponge or soft cloth and a mild detergent in warm water to clean the refrigerator.
 - Do not use abrasive or harsh cleansers such as window sprays, scouring cleansers, flammable fluids, muriatic acid, cleaning waxes, concentrated detergents, bleaches, or cleansers containing petroleum products on exterior surfaces (doors and cabinet), plastic parts, door and interior liners, and gaskets.
 - These can scratch or damage the material.
 - Do not clean glass shelves or covers with warm water when they are cold. Glass shelves and covers may break if exposed to sudden temperature changes or impacts such as bumping or dropping.

Safety information

Critical disposal warnings

WARNING

- Please dispose of the packaging material from this product in an environmentally friendly manner.
- Ensure that none of the pipes on the back of the refrigerator are damaged prior to disposal.
- When disposing of this refrigerator, remove the door/door seals and door latch so that small children or animals cannot become trapped inside. Children should be supervised to ensure that they do not play with the appliance. If trapped inside, a child may get hurt or suffocate to death.
 - If trapped inside, the child may become injury and suffocate to death.
- Cyclopentane is used in the insulation. The gases in the insulation material require a special disposal procedure. Please contact your local authorities in regard to the environmentally safe disposal of this product.
- Keep all packaging materials well out of the reach of children, as packaging materials can be dangerous to children.
 - If a child places a bag over his or her head, the child could suffocate.

Additional tips for proper usage

- In the event of a power failure, call the local office of your electric company and ask how long the failure is going to last.
 - Most power failures that are corrected in an hour or two will not affect your refrigerator temperatures. However, you should minimize the number of door openings while the power is off.
 - Should the power failure last more than 24 hours, remove and discard all frozen food.
- The refrigerator might not operate consistently (frozen contents can thaw or temperatures can become too warm in the frozen food compartment) if sited for an extended period of time in a location where ambient air temperatures are constantly below the temperatures for which the appliance is designed.
- In case of particular foods, keeping it under refrigeration can have a bad effect on preservation due to its properties.
- Your appliance is frost free, which means there is no need to manually defrost your appliance. This will be carried out automatically.
- Temperature rise during defrosting complies with ISO requirements. If you want to prevent an undue rise in the temperature of frozen food while the appliance defrosts, wrap the frozen food in several layers of newspaper.
- Do not re-freeze frozen foods that have thawed completely.

Safety information

- The temperature of two star section (sections) or compartment (compartments) which have two star symbol (☆☆) is slightly higher than other freezer compartment (compartments).

The two star section (sections) or compartment (compartments) is (are) based on the instruction and/or the condition as delivered.

Instructions about the WEEE



Correct Disposal of This Product (Waste Electrical & Electronic Equipment)
(Applicable in countries with separate collection systems)

This marking on the product, accessories or literature indicates that the product and its electronic accessories (e.g. charger, headset, USB cable) should not be disposed of with other household waste at the end of their working life. To prevent possible harm to the environment or human health from uncontrolled waste disposal, please separate these items from other types of waste and recycle them responsibly to promote the sustainable reuse of material resources.

For more information on safe disposal and recycling visit our website www.samsung.com/in/support or contact our Helpline numbers - 1800 40 SAMSUNG (1800 40 7267864).

Installation

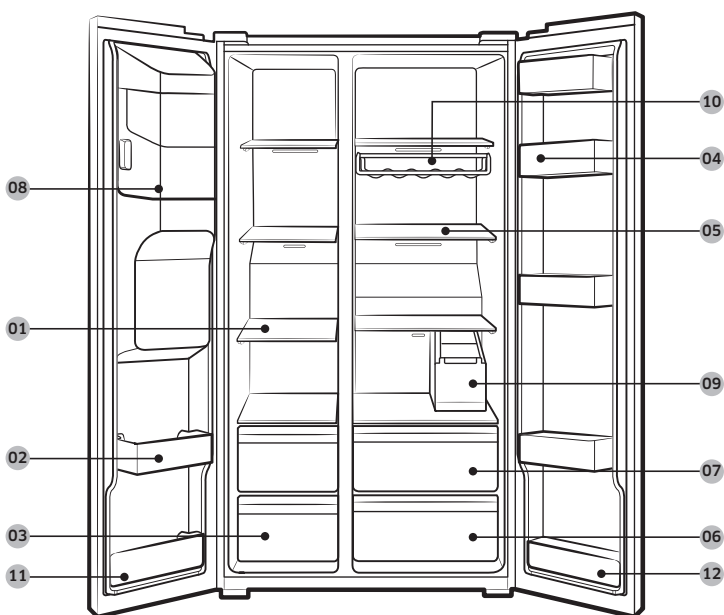
Follow these instructions carefully to ensure a proper installation of this refrigerator and to prevent accidents before using it.

⚠ WARNING

- Use the refrigerator only for its intended purpose as described in this manual.
- Any servicing must be performed by a qualified technician.
- Dispose of the product packaging material in compliance with the local regulations.
- To prevent electric shock, unplug the power cord before servicing or replacements.

Refrigerator at a glance

The actual appearance of your refrigerator may differ, depending on the model and the country.



Installation

Installation

01 Freezer shelves

02 Multipurpose freezer bin

03 Dried food and meat storage drawer

04 Refrigerator bin

05 Refrigerator shelves

06 Vegetable drawer

07 Multipurpose drawer

08 Ice maker bucket

09 Water tank *

10 Wine rack *

11 Lower freezer bin

12 Lower refrigerator bin

* Applicable models only

 **NOTE**

The design of the egg container may differ with the model.

 **CAUTION**

For normal models, do not change the position of the freezer shelves. Freezer shelves have different lengths, and if you change the position, you may damage the product when closing the door.

Step-by-step installation

STEP 1 Select a site

Site requirements:

- Solid, level surface without carpeting or flooring that may obstruct ventilation
- Away from direct sunlight
- Adequate room for opening and closing the door
- Away from a heat source
- Room for maintenance and servicing
- Temperature range: between 5 °C and 43 °C

Effective temperature range

The refrigerator is designed to operate normally in the temperature range specified by its class rating.

Class	Symbol	Ambient Temperature range (°C)	
		IEC 62552 (ISO 15502)	ISO 8561
Extended Temperate	SN	+10 to +32	+10 to +32
Temperate	N	+16 to +32	+16 to +32
Subtropical	ST	+16 to +38	+18 to +38
Tropical	T	+16 to +43	+18 to +43

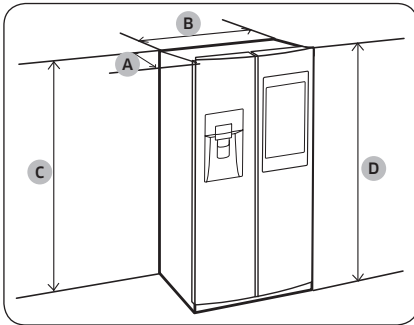
NOTE

The cooling performance and power consumption of the refrigerator may be affected by the ambient temperature, the door-opening frequency, and the location of the refrigerator. We recommend adjusting the temperature settings as appropriate.

Installation

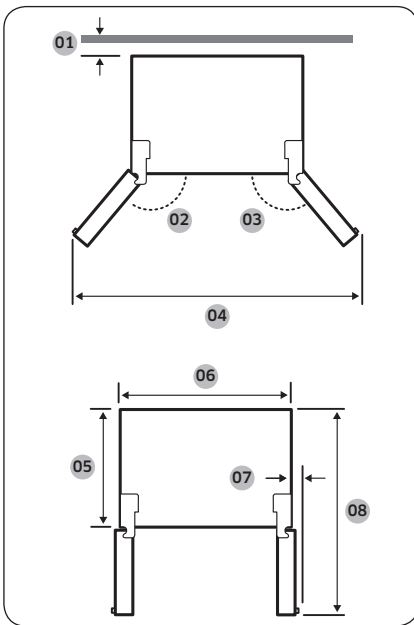
Clearance

See the pictures and table below for space requirements for installation.



Depth "A"	716
Width "B"	912
Height "C"	1746
Overall Height "D"	1780

(unit: mm)



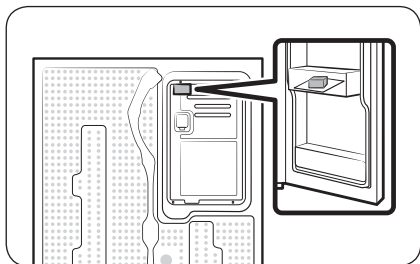
01	more than 50 mm recommended
02	165°
03	170°
04	1730 mm
05	610 mm
06	912 mm
07	30 mm
08	1165 mm

NOTE

The measurements in the above table may differ, depending on the measuring method.

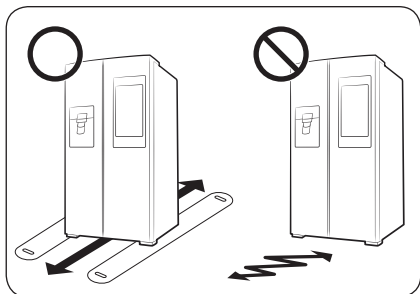


STEP 2 Spacing (applicable models only)



1. Open the door and locate the provided spacer.
2. Unpack the spacer and attach it to the rear of the refrigerator as shown. It helps ventilate air to the rear wall and save power consumption.

STEP 3 Flooring



- The surface to install the refrigerator must support a fully loaded refrigerator.
- To protect the floor, put a large piece of cardboard on each leg of the refrigerator.
- Once the refrigerator is in its final position, do not move it unless necessary to protect the floor. If you have to, use a thick paper or cloth such as old carpets along the movement path.

NOTE

If the refrigerator cannot pass through the entrance due to its size, see the **Door removal for entrance** section in the Installation chapter.



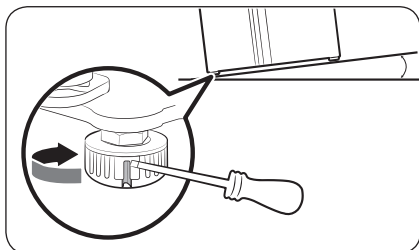
Installation

STEP 4 Adjust the levelling feet

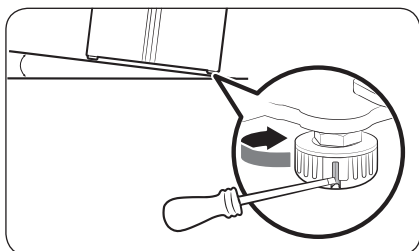
⚠ CAUTION

- The refrigerator must be levelled on a flat, solid floor. Failing to do so can cause damage to the refrigerator or physical injury.
- Levelling must be performed with an empty refrigerator. Make sure no food items remain inside the refrigerator.
- For safety reasons, adjust the front side a little higher than the rear side.

The refrigerator can be levelled using the front legs that have a special screw (leveller) for levelling purposes. Use a flat-head screwdriver for levelling.



To adjust the height of the freezer side:
Insert a flat-head screwdriver into the leveller of the freezer-side front leg. Turn the leveller clockwise to raise, or turn it counter clockwise to lower.

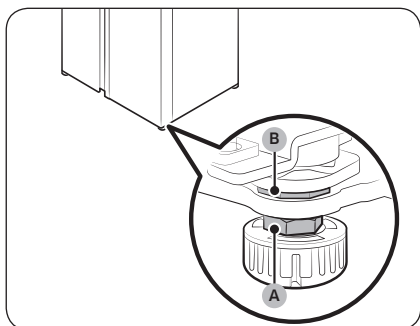


To adjust the height of the fridge side:
Insert a flat-head screwdriver into the leveller of the fridge-side front leg. Turn the leveller clockwise to raise, or turn it counter clockwise to lower.

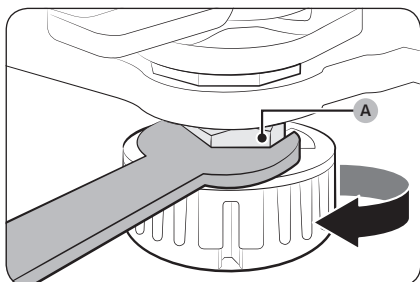
STEP 5 Adjust the door height as well as the door gap

To adjust the height of a door

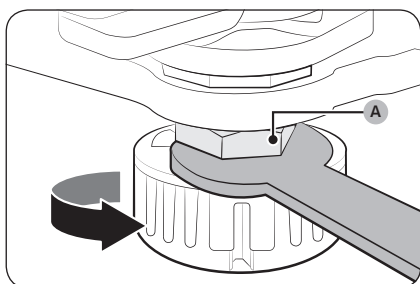
The height of a door can be adjusted using the clamp nut and the height nut on the front bottom of each door.



1. Open the door to adjust, and locate the two nuts (A) and (B) on the front bottom of the door.



2. With a 19 mm spanner (provided), turn the **clamp nut (A)** clockwise to loosen. Then, open the door, and do the following inside the door.
 - To raise the door, turn the **height nut (B)** counter clockwise.
 - To lower the door, turn the **height nut (B)** clockwise.



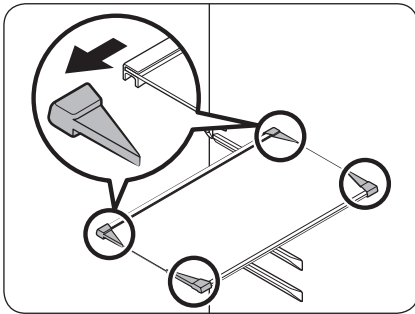
3. When complete, tighten the **clamp nut (A)** by turning it counter clockwise.

Installation

STEP 6 Initial settings

By completing the following steps, the refrigerator should be fully functioning.

1. Plug the power cord into the wall socket to turn the refrigerator on.
2. Open the door, and check if the interior light lights up.
3. Set the temperature to the coldest, and wait for about an hour. Then, the freezer will be slightly chilled, and the motor will run smoothly.
4. Wait until the refrigerator reaches the set temperature. Now the refrigerator is ready for use.



NOTE

Before you start using the refrigerator, make sure you remove the protective plastic cap from every shelf.

STEP 7 Final check

When installation is complete, confirm that:

- The refrigerator is plugged into an electrical outlet and grounded properly.
- The refrigerator is installed on a flat, level surface with a reasonable clearance from the wall or the cabinet.
- The refrigerator is level and is sitting firmly on the floor.
- The door opens and closes freely, and the interior light turns on automatically when you open the door.

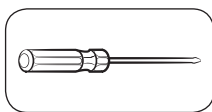


Door removal for entrance

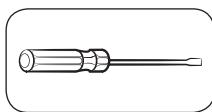
If the refrigerator cannot pass through the entrance due to its size, follow these instructions:

Tools required (not provided)

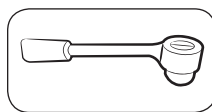
These tools are used for removing the doors.



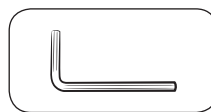
Phillips screwdriver



Flat-head screwdriver



Socket spanner
(10 mm)

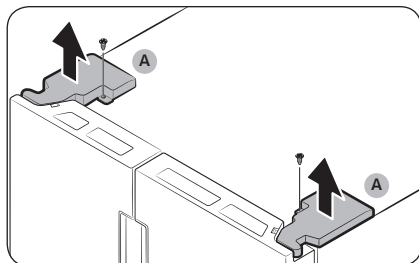


Allen spanner
(5 mm)

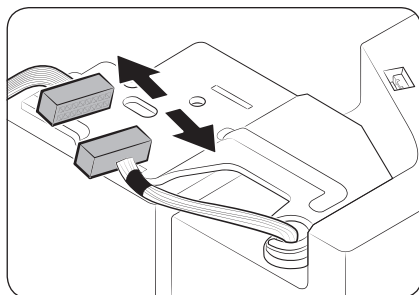
Detach the doors

⚠ CAUTION

The door may fall off or over and damage itself during any of these steps. To prevent an accident, use extreme caution when performing these steps.



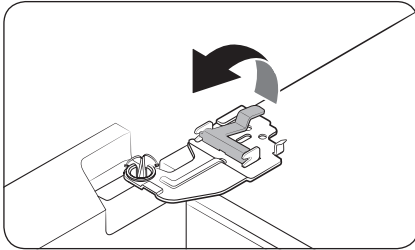
1. Use a Phillips screwdriver to unscrew the **hinge covers (A)** on the top of each door.
2. Open the doors to loosen the hinges and remove the hinge covers. Once the covers are removed, close the doors.



3. Disconnect the electrical harness.



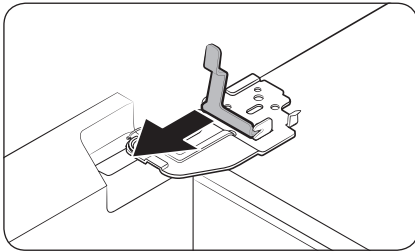
Installation



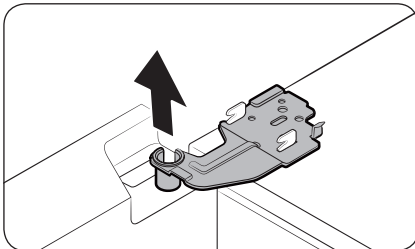
4. Gently lift the clamp.

NOTE

To prevent damage to the clamp or injuries, do not lift the clamp forcefully.



5. Pull the clamp to remove.



6. Open the door by 90 degrees. While holding the door, remove the hinge.

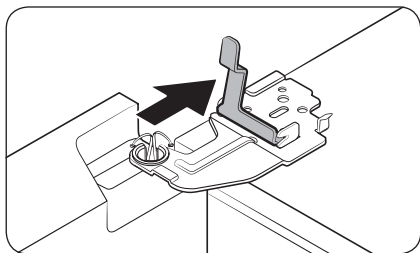
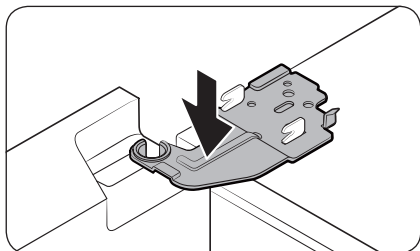
CAUTION

If you remove the hinge without holding the door, the door may fall and cause injury.

Reattach the doors

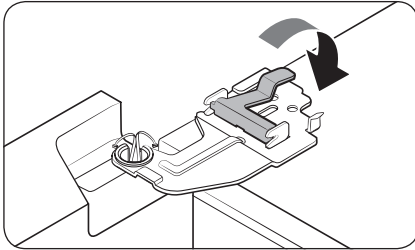
⚠ CAUTION

- Before reattaching the doors, make sure all the electrical connectors are properly connected.
- The freezer door must be reattached before the fridge door.
- Take care when removing the door to ensure that it does not fall on you.
- Be careful not to scratch.

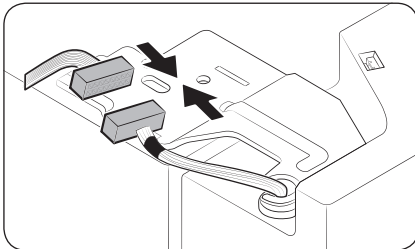


1. Hold the freezer door and hook to the hinge at the bottom of the refrigerator.
2. Put the hinge into its position, and then insert it into the hole on the door.
3. Insert the clamp in the arrow direction.

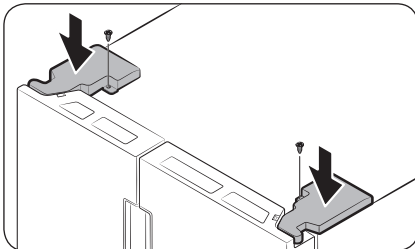
Installation



4. Press the clamp as shown.



5. Connect the electrical harness.



6. Insert the hinge covers with the front sides first, and then tighten the screws. Use a Phillips screwdriver for this step.

Operations

Family hub home screen



- Tap a desired app or widget to launch it.
- On the home screen, you can add or remove items such as apps, widgets, pictures, videos, drawings, and texts.
- Tap and hold an item to enter Edit mode. In Edit mode, you can drag and drop an item to a new location on the home screen. When you move the item to a new location, the item turns red if the location is not available.

Operations

Soft buttons



01 Bixby

- Tap to use Bixby.

02 Task Manager

- Tap to open the Task Manager.

03 Home

- Tap to open the Home screen.

04 Return

- Tap to return to the previous screen.

05 Notification

- Tap to display the Quick Panel.

06 Hide/Show

- Tap to hide or show Soft buttons.
- The Hide/Show button only appears when an app is active.

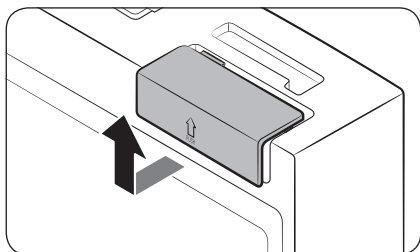
Fridge Manager

On the Home screen, tap the **Fridge Manager** app.

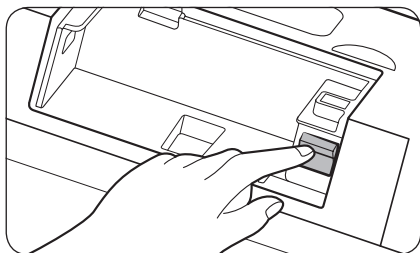
- You can set the desired temperature or modes for each compartment.
- For more detailed information on the Fridge Manager app, check the online manual.
- To access the online manual from your Family Hub refrigerator, tap **Settings > Help & Contact Us > Online Manual**.

Display reset (applicable models only)

If you encounter an abnormal symptom on the display, try resetting the display. This may solve the symptom.



1. Open the right-side fridge door and locate the switch cover on the top right corner of the door.
2. Push up the cover to reveal the power switch.



3. Turn the switch off and turn it on again.
4. Reinsert the switch cover to the end until you hear a clicking sound.

Operations

SmartThings

Installation

Visit the Google Play Store, Galaxy Apps, or Apple App Store and search for “SmartThings”. Download and install the SmartThings app provided by Samsung Electronics to your smart device.

NOTE

- The supporting software version of the SmartThings app is subject to change according to the OS supporting policy the manufacturer provides. In addition, as for the SmartThings app or the functions that the app supports, the new application update policy on the existing OS version can be suspended due to usability or security reasons.
- The SmartThings app is subject to change without notice to improve usability or performance. As the mobile phone OS version is updated every year, the SmartThings is also updated continually according to the latest OS. If you have enquiries regarding the items mentioned above, please contact us on st.service@samsung.com
- Recommended encryption systems include WPA/TKIP and WPA2/AES. Any newer or unstandardized Wi-Fi authentication protocols are not supported.
- Wireless networks may be affected by the surrounding wireless communication environment.
- If your Internet service provider has registered the MAC address of your PC or modem for identification, your Samsung Smart Refrigerator may fail to connect to the Internet. If this happens, contact your Internet service provider for technical assistance.
- The firewall settings of your network system may prevent your Samsung Smart Refrigerator from accessing the Internet. Contact your Internet service provider for technical assistance. If this symptom continues, contact a local Samsung service center or retailer.
- To configure the wireless access point (AP) settings, see the user manual of the AP.
- Samsung Smart Refrigerators support both Wi-Fi 2.4 GHz with IEEE 802.11 b/g/n and Soft-AP protocols (IEEE 802.11 n is recommended).
- Unauthorized Wi-Fi wireless routers may fail to connect to applicable Samsung Smart Refrigerators.

Samsung account

You are required to register your Samsung account to use the app. If you don't have a Samsung account, follow the app's onscreen instructions to create a free Samsung account.

Getting started

Turn on the device you want to connect, open the SmartThings app on your phone, then follow the instructions below.

If a pop-up appears saying that a new device has been found, tap **ADD NOW**.

If a pop-up doesn't appear, tap the **+** button, then select the device you want to connect from the list of available devices.

If your device isn't in the list of available devices, tap **Supported Devices**, select the device type (Refrigerator), and then select the specific device model.

Follow the instructions in the app to set up your device. Once setup is complete, your refrigerator will appear as a "card" on your **Devices** screen.

Refrigerator app

Integrated control

You can monitor and control your refrigerator at home and on the go.

- Tap the refrigerator icon on the SmartThings Dashboard or tap the Devices icon at the bottom of the Dashboard, and then tap the refrigerator "card" to open the Refrigerator page.
- Check the operation status or notifications related to your refrigerator, and change options or settings if necessary.

NOTE

Some options or settings of the refrigerator may not be available for remote control.

Operations

Category	Item	Description
Monitoring	Fridge temperature	Displays the current temperature setting of the fridge.
	Freezer temperature	Displays the current temperature setting of the freezer.
	Cool Select+ settings	Displays the settings of the Cool Select+.
	Self Check	Detects abnormal operations of the refrigerator.
	Energy monitoring	Checks the accumulated power consumption of the refrigerator for the last 180 days.
Functions	Power Cool	You can turn Power Cool on or off, and check the current settings.
	Power Freeze	You can turn Power Freeze on or off, and check the current settings.
Alarms	Abnormally high temperature	This alarm is triggered when the fridge, the freezer, or the Cool Select+ (FlexZone) has abnormally high temperatures.
	Door opening	This alarm is triggered if the fridge or freezer door or the Cool Select+ (FlexZone) door is left open for a specific time.
Inside Image		You can view the inside of the refrigerator and can see if you need to replace food items.

Recommendations for voice recognition

For the voice recognition function, there is a built-in microphone at the top of the refrigerator's display. To use the voice recognition function:

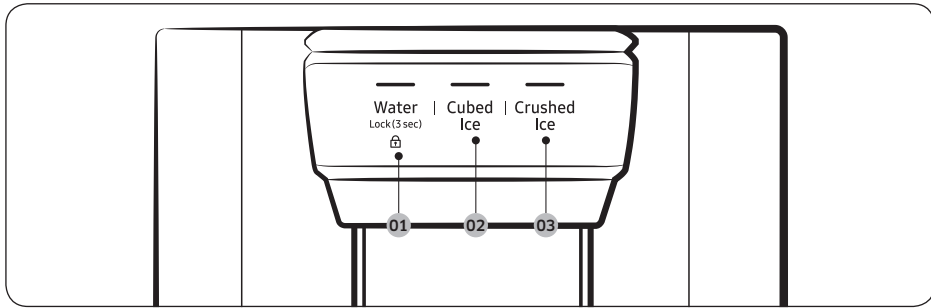
- Stand no more than 3 feet (1 meter) from the refrigerator and speak loudly and clearly towards the built-in microphone.
- Speak at a regular pace. Reduce ambient noises, such as noises from a living-room TV.

 **NOTE**

The voice recognition function may not work if you stand more than 3 feet (1 meter) away or if you speak too softly.

Operations

Dispenser panel (applicable models only)



01 Water / Lock

02 Cubed Ice

03 Crushed Ice

01 Water / Lock (3 sec)

Water	To dispense chilled water, press Water . The corresponding indicator turns on.
Lock (Dispenser panel / Dispenser lever)	To prevent use of the dispenser panel buttons and the dispenser lever, press and hold Water for more than 3 seconds. If you press and hold the button again for more than 3 seconds, the dispenser lock will be deactivated. NOTE The Lock on the dispenser panel does not affect the controls on the main panel. To lock the main panel, use the Control Lock function on the main panel.

02 Cubed Ice

Cubed Ice	Press Cubed Ice to dispense cubed ice. The corresponding indicator turns on.
-----------	---

03 Crushed Ice

Crushed Ice	Press Crushed Ice to dispense crushed ice. The corresponding indicator turns on.
-------------	---

Special features

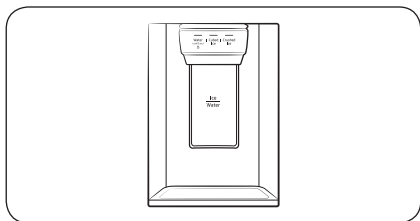
The refrigerator features user-oriented devices that you can use to benefit from.

Water/Ice dispenser (applicable models only)

Using the dispenser, you can dispense water with or without ice.

The water dispenser offers 3 options: chilled water, cubed ice, and crushed ice. To dispense chilled water, press **Water** on the dispenser panel. Put a water glass under the dispenser, and then push the dispenser lever.

To dispense water with ice



1. With the Ice Maker enabled, press **Cubed Ice** or **Crushed Ice** to select the ice type.
2. Put a water glass under the dispenser, and then push the **dispenser lever** with the glass. Ice will be dispensed from the dispenser.
3. Press **Water** to select water.
4. Push the **dispenser lever** with the glass. Water will be dispensed from the dispenser.

NOTE

- The dispenser will stop dispensing if you keep pushing the dispenser lever for about 1 minute. To dispense more water, release and push the lever again.
- Make sure the glass is in line with the dispenser to prevent the dispensed water from spilling out.
- If you do not use the water dispenser for 2-3 days, the dispensed water may have an abnormal smell or taste. This is not a system failure. Discard the first 1-2 glasses of water.

Operations

Ice maker (applicable models only)

The refrigerator has a built-in ice maker that automatically dispenses ice so that you can enjoy filtered water with cubed or crushed ice.

Ice making

After you have installed your refrigerator and plugged it in, follow these instructions to ensure proper ice making and to keep the ice bucket full of ice:

1. Let the refrigerator operate for at least 24 hours to ensure optimal performance.
2. Dispense the first 4 to 6 ice cubes into a glass.
3. Wait another 8 hours and dispense another 4 to 6 ice cubes.
4. Then, wait another 16 hours and dispense the first glass-full of ice.

NOTE

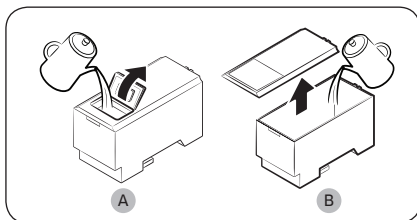
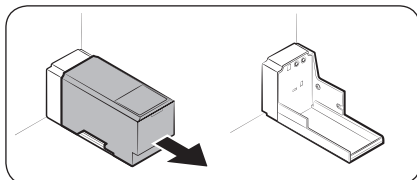
- If you consume all the ice at once, you must wait 8 hours before dispensing the first 4 to 6 cubes. This ensures that the ice bucket is filled with ice properly.
- Ice cubes generated rapidly may look white, which is normal.

CAUTION

Dispense the ice according to the size of the cup.

- If you dispense excessive amount, ice may fall out on the ground and cause personal injury.
- Ice may accumulate and block the ice chute.

To fill the water tank (applicable models only)

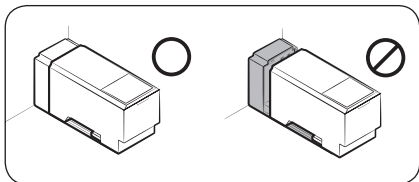


For first-time use, clean the inner side of the water tank and dry well.

1. Hold both handgrips on the front of the tank, and slide out as shown.
2. Open the **front lid (A)** of the cover or the **entire cover (B)** and fill the tank with a max of 5 litres water.

CAUTION

- Do not exceed the max line. Water overflows.
- Fill with potable water only.



3. Reinsert the water tank and fit into the dispenser mechanism. Make sure the front side (with the front lid) of the tank faces to the front.

⚠ CAUTION

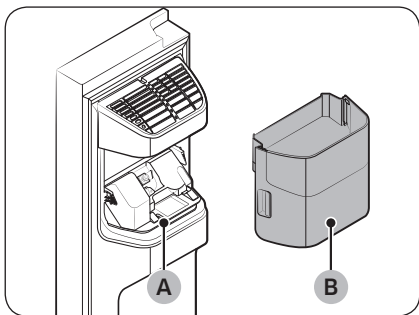
- Make sure the water tank fits into the shelf. Otherwise, the water tank may not operate properly.
- Do not use the refrigerator without inserting the water tank. This may decrease the cooling performance.
- Fill the tank only with potable water such as mineral or purified water. Do not use other liquid.
- Use caution when moving a filled tank. Physical injury may occur if the tank is dropped.
- Do not try to disassemble the internal pump yourself. If the internal pump is damaged or disconnected from the water tank, the dispenser does not operate.

For first-time use

- Push the dispenser lever for 10 seconds to emit air from the hoses of the water supply system.
- Discard the first six glasses of water to remove impurities in the water supply system.

Ice making (applicable models only)

The refrigerator has a built-in ice maker that automatically dispenses ice so that you can enjoy filtered water with cubed or crushed ice to your preference.

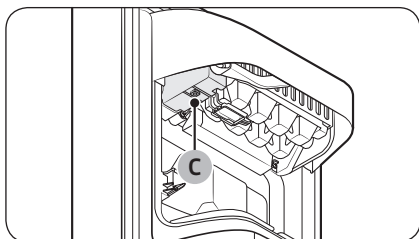


If ice does not dispense, first check the ice maker if it makes ice properly.

To check the ice maker

1. Gently hold the icemaker bucket (B) with both hands and remove it from the ice chute (A).
2. Check the icemaker bucket if it contains ice as appropriate.

Operations



3. Press the **button (C)** on the bottom of the ice maker. You will hear a chime (ding-dong) at the press of the button.
4. You will hear another chime if the ice maker operates properly.

NOTE

If this symptom continues, contact the water line installer or a local Samsung service centre.

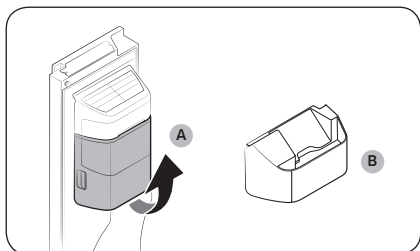
CAUTION

- Do not press the button repeatedly after the ice tray is filled with ice or water. Water may overflow or ice may be jammed.
- When the refrigerator recovers power supply after a power failure, the icemaker bucket may contain a mix of melted and jammed ice cubes, resulting in a system failure. To prevent this, make sure to empty the icemaker bucket before using the refrigerator.
- To prevent dropping the icemaker bucket, make sure to use both hands when removing or reinserting the icemaker bucket.
- Do not let children hang on or play with the ice dispenser or the icemaker bucket. Children may get hurt.
- Do not put fingers or other objects into the dispenser hole or the ice chute. This may cause physical injury or property damage.

NOTE

- When the ice maker is set to 'ON' refrigerator will keep making ice even when you remove the ice bucket.
- Make sure to set the ice maker to 'OFF' when you are not going to use the ice maker.
- Removal of the icemaker bucket does not affect the thermal and mechanical performance of the refrigerator.
- The declared freezer volume is measured with the freezer guide and the bottom shelf, after removing the ice maker, upper and lower drawers.

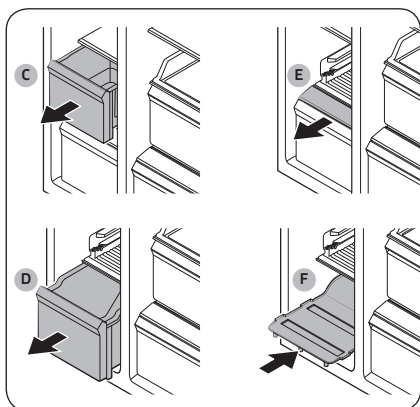
To secure more storage space (applicable models only)



If you do not use the ice maker and need more storage space, remove the **icemaker bucket (A)**. Then, insert the **Freezer guide (Optional) (B)** into the icemaker bucket's place.

⚠ CAUTION

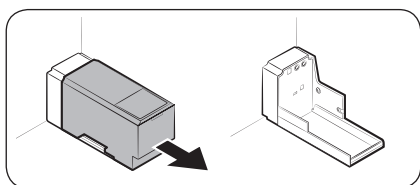
If the icemaker bucket has been removed, you must turn the ice maker off.



To secure more space, remove the **upper drawer (C)**, **lower drawer (D)**, and **lower drawer cover (E)**. Then, insert the provided **bottom shelf (F)**.

📖 NOTE

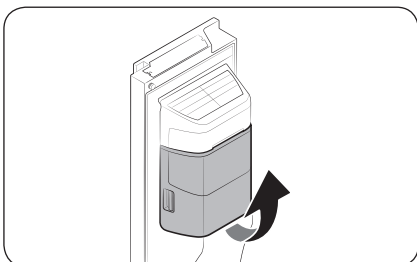
- Removing the drawers does not affect the temperature or usage of the freezer.
- The declared freezer volume is measured with the bottom shelf, after removing the upper drawer, lower drawer, and lower drawer cover.



For more space, remove the water tank and use the space to store more items.

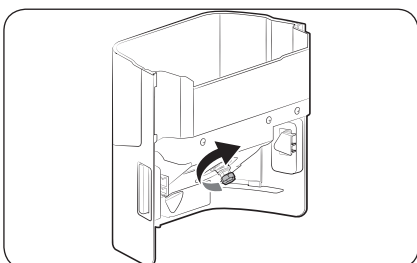
Operations

Icemaker bucket

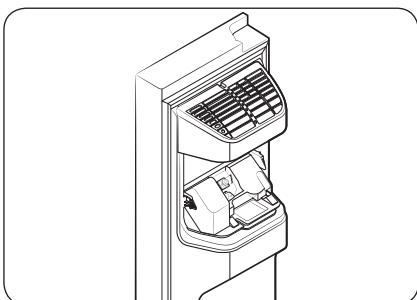


If you do not dispense ice for an extended period, ice may form clumps inside the bucket. If this happens, remove and empty the icemaker bucket.

1. To remove the icemaker bucket, gently lift it up and pull out slowly while holding the handgrips with both hands.
2. Remove and empty the icemaker bucket.



3. When done, turn the gear handle on the rear of the bucket by 90°, and then put the bucket back into position. Make sure the bucket is inserted properly until you hear a clicking sound.



⚠ CAUTION

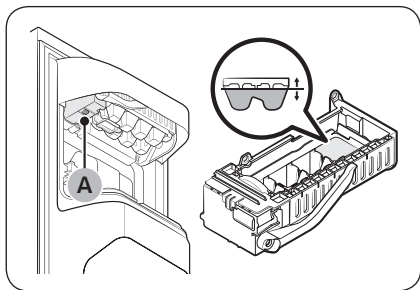
- Do not apply excessive force to the bucket cover. The cover may break.
- Do not close the door hard. Water may spill over the ice maker.
- To prevent injury, make sure to clean up any ice or water that has fallen on the floor.
- To prevent accidents or injury, do not let children play with the water dispenser or the ice maker.
- Do not put your hand or an object into the ice chute. This may cause physical injury or product damage.

📖 NOTE

- Any sound from the ice maker is normal, which outputs during the ice making process.
- While the door is open, neither the ice maker nor the water dispenser operates.

Water pressure

If you want to check how much water flows into the ice tray, follow these steps.



1. Remove the ice bucket.
2. Press the **button (A)** on the bottom of the ice maker. Normally, the ice tray fills with water in a few minutes.
3. If the water level is lower than expected, check the water pressure of the water supply line from the water source. This is not a system failure.

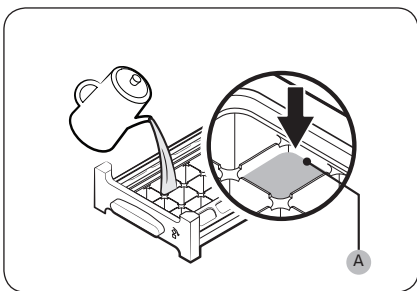
⚠ CAUTION

- Do not repeatedly press the button on the bottom of the ice maker when the tray is filled with water. Water may overflow or ice may be jammed.
- Make sure the icemaker bucket is inserted properly. Otherwise, the ice maker will not operate.
- If there is a power failure, remove the ice tray. Water may flow.

Operations

Ice making (applicable models only)

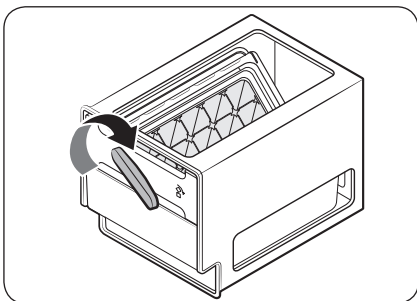
Twist ice maker



1. Open the freezer door, and slide open the ice tray.
2. Fill the tray with water up to the **maximum level (A)** marked on the inner rear of the tray.
3. Slide the tray back into position.

NOTE

The ice making time depends on your temperature settings.



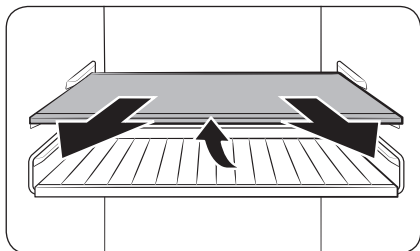
NOTE

- Make sure the ice cube storage bin is in place under the ice tray.
- To dispense the ice cubes, turn the handle of the bin to the right to empty half of the ice cubes into the bin. Then, turn it to the left to empty the other half.
- Take out the bin by slightly twisting and pulling to the front.

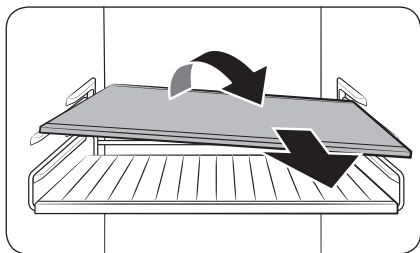
Maintenance

Handle and care

Shelves (fridge/freezer) / Wine rack (applicable models only)



1. Pull out the shelf (or wine rack) a little. Then, while lifting the rear side, pull out.

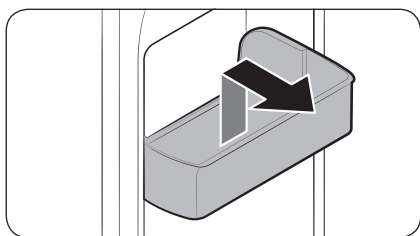


2. Twist the shelf (or wine rack) diagonally to remove.

⚠ CAUTION

- The shelf must be inserted correctly. Do not insert upside down.
- Glass containers may scratch the surface of glass shelves.
- Do not insert a shelf in the wine rack position. This may damage the refrigerator. (applicable models only)

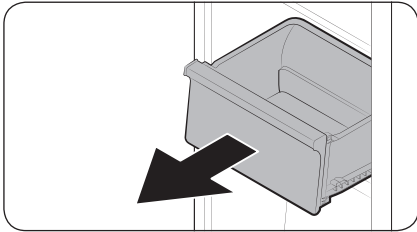
Door bins



To remove a door bin, hold the front sides of the bin and gently lift up to remove.

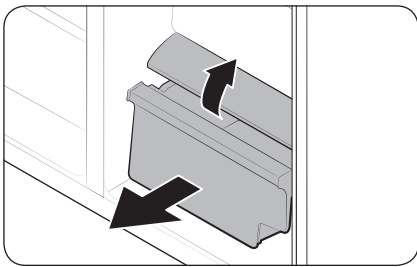
Maintenance

Drawers



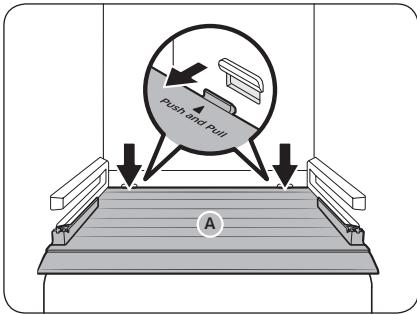
Gently lift up the front of the drawer and slide out.

Vegetable / Dried food and meat storage drawer



To remove the vegetable drawer from the fridge or the dry drawer from the freezer.

1. First, remove surrounding multipurpose drawers if necessary.



- 2.** If your refrigerator has a cover (A) for the vegetable/dry drawer, remove it in the following method.
- a.** Pull the drawer halfway out.
 - b.** Pull the cover while pressing the rear sides (as marked in the figure).
- 3.** Gently pull out the vegetable/dry drawer.

Icemaker bucket

To remove the ice maker bucket, see the Icemaker bucket section on page 52.

Cleaning

Interior and exterior

⚠ WARNING

- Do not use benzene, thinner, or home/car detergent such as Clorox™ for cleaning purposes. They may damage the surface of the refrigerator and cause a fire.
- Do not spray water onto the refrigerator. This may cause electric shock.
- Do not put fingers or other objects into the dispenser hole.

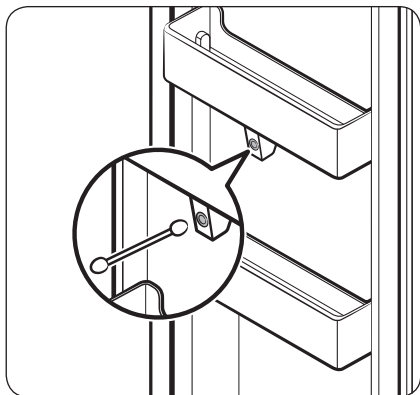
⚠ CAUTION

- Do not spray water directly on the LCD display. This may cause fire, electric shock, or damage.
- Do not scratch the LCD display or speaker. This may cause permanent damage.

Regularly use a dry cloth to remove all foreign substances such as dust or water from the power plug terminals and contact points.

1. Unplug the power cord.
2. Use a moistened, soft, lint-free cloth or paper towel to clean the refrigerator's interior and exterior.
3. When done, use a dry cloth or paper towel to dry well.
4. Plug in the power cord.

Inner-view camera



📄 NOTE

Use a cotton swab or microfiber cloth to clean the camera on the left-side door of the fridge.

Maintenance

Ice / Water dispenser (applicable models only)

NOTE

For hygienic purposes, frequently clean the dispenser area.

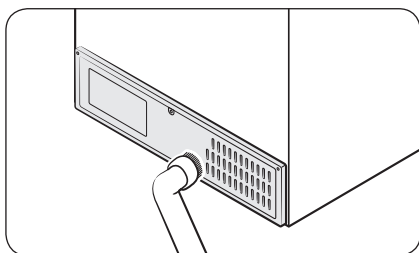
CAUTION

When crushed ice is selected, some residual ice chips may collect in the ice chute. To prevent this, remove the residual ice from the chute using a soft, clean cloth.

Rubber seals

If the rubber seals of a door become dirty, the door may not close properly and reducing refrigerator performance and efficiency. Use a mild detergent and damp cloth to clean the rubber seals. Then, dry well with a cloth.

Rear panel



To keep cords and exposed parts of the rear panel free of dirt, vacuum the panel once or twice a year.

CAUTION

Do not remove the rear panel cover. Electric shock may occur.

Replacement

Lamps

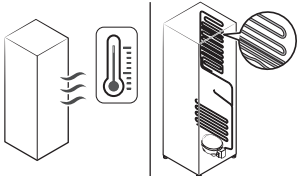
The lamps are not user-serviceable. To replace the lamps of the refrigerator, contact a local Samsung service centre.

Troubleshooting

Before calling for service, review the checkpoints below. Any service calls regarding normal situations (No Defect Cases) will be charged to users.

General

Temperature

Symptom	Possible causes	Solution
Fridge/freezer does not operate. Fridge/freezer temperature is warm.	<ul style="list-style-type: none"> Power cord is not plugged in properly. 	<ul style="list-style-type: none"> Properly plug in the power cord.
	<ul style="list-style-type: none"> Temperature control is not set correctly. 	<ul style="list-style-type: none"> Set the temperature lower.
	<ul style="list-style-type: none"> Refrigerator is located near a heat source or direct sunlight. 	<ul style="list-style-type: none"> Keep the refrigerator away from direct sunlight or a heat source.
	<ul style="list-style-type: none"> Not enough clearance between refrigerator and nearby walls or cabinets. 	<ul style="list-style-type: none"> We recommend that the gap between the refrigerator and nearby walls (or cabinets) is more than 50 mm.
<ul style="list-style-type: none"> The refrigerator is overloaded. Food is blocking the refrigerator vents. 	<ul style="list-style-type: none"> Do not overload the refrigerator. Do not allow food to block vents. 	
Fridge/freezer is over-cooling.	<ul style="list-style-type: none"> Temperature control is not set correctly. 	<ul style="list-style-type: none"> Set the temperature higher.
Interior wall is hot.	<ul style="list-style-type: none"> Refrigerator has heat-proof piping in the interior wall. 	<ul style="list-style-type: none"> To prevent condensation from forming, the refrigerator has heat-proof piping in the front corners. If the ambient temperature rises, this equipment may not work effectively. This is not a system failure. 

Troubleshooting

Odour

Symptom	Possible causes	Solution
Refrigerator has odours.	• Spoiled food.	• Clean the refrigerator and remove any spoiled food.
	• Food with strong odours.	• Make sure strong smelling food is wrapped airtight.

Frost

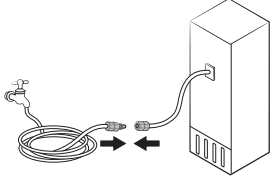
Symptom	Possible causes	Solution
Frost around the vents.	• Food is blocking the vents.	• Make sure no food blocks the refrigerator vents.
Frost on interior walls.	• Door is not closed properly.	• Make sure food does not block the door. Clean the door gasket.

Condensation

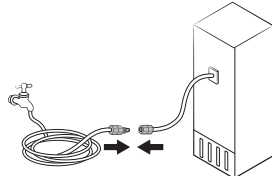
Symptom	Possible causes	Solution
Condensation forms on the interior walls.	• If door is left open, moisture enters the refrigerator.	• Remove the moisture and do not leave a door open for extended periods of time.
	• Food with high moisture content.	• Make sure food is wrapped airtight.

Water/ice (dispenser models only)

Symptom	Possible causes	Solution
Water flow is weaker than normal.	• Water pressure is too low.	• Make sure the water pressure is between 30 to 125 psi.
Ice maker makes a buzzing sound.	• The ice maker function is activated, but the water supply to the refrigerator has not been connected.	• Turn off the Ice maker.

Symptom	Possible causes	Solution
Ice maker does not make ice.	<ul style="list-style-type: none"> Ice maker has just been installed. 	<ul style="list-style-type: none"> You must wait for 12 hours for the refrigerator to make ice.
	<ul style="list-style-type: none"> Freezer temperature is too high. 	<ul style="list-style-type: none"> Set the freezer temperature below -18 °C (0 °F) or -20 °C (-4 °F) in warm ambient air.
	<ul style="list-style-type: none"> Dispenser panel Lock is activated. 	<ul style="list-style-type: none"> Deactivate dispenser panel Lock.
	<ul style="list-style-type: none"> Ice maker is off. 	<ul style="list-style-type: none"> Turn on the ice maker.
Ice does not dispense.	<ul style="list-style-type: none"> Ice may jam if the ice dispenser is not used for a long time (approx. 3 weeks). 	<ul style="list-style-type: none"> If you won't be using the refrigerator for a long time, empty the ice bucket and turn off the ice maker.
	<ul style="list-style-type: none"> Ice bucket is not properly inserted. 	<ul style="list-style-type: none"> Make sure the ice bucket is properly inserted.
	<ul style="list-style-type: none"> Water line is not connected properly or water supply is not on. 	<ul style="list-style-type: none"> Check if the water line is installed correctly. Check if the water line stop cock is closed. 

Troubleshooting

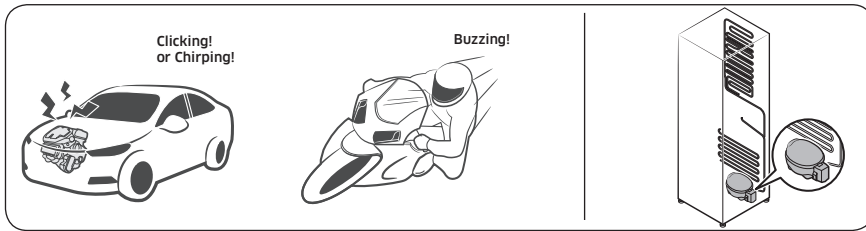
Symptom	Possible causes	Solution
Water does not dispense.	<ul style="list-style-type: none"> Water line is not connected properly or water supply is not on. 	<ul style="list-style-type: none"> Check if the water line is installed correctly. Check if the water line stop cock is closed. 
	<ul style="list-style-type: none"> Dispenser panel Lock is activated. 	<ul style="list-style-type: none"> Deactivate dispenser panel Lock.
	<ul style="list-style-type: none"> A third-party water filter was installed. 	<ul style="list-style-type: none"> Use only Samsung-provided or approved filters. Unapproved filters may leak and damage the refrigerator.

Do you hear abnormal sounds from the refrigerator?

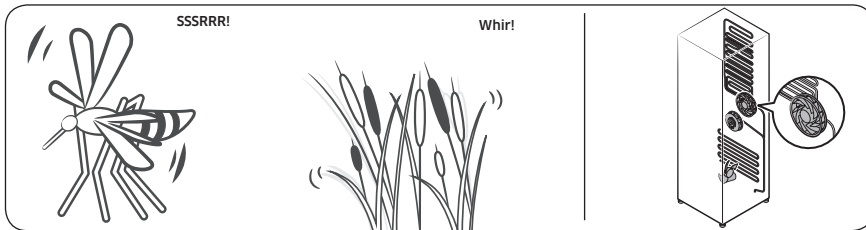
Before calling for service, review the checkpoints below. Any service calls related to normal sounds will be charged to the user.

These sounds are normal.

- When starting or ending an operation, the refrigerator may make sounds similar to a car engine igniting. As the operation stabilizes, the sounds will decrease.



- While the fan is operating, these sounds may occur. When the refrigerator reaches the set temperature, no fan sound will occur.

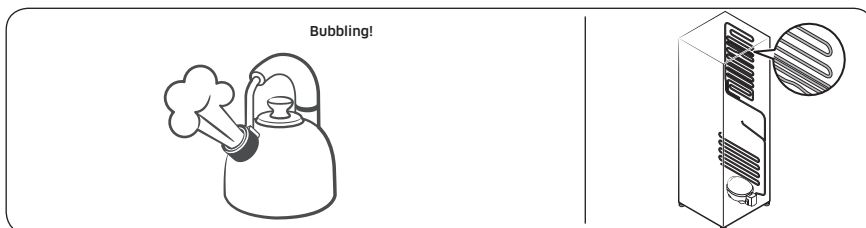


- During a defrost cycle, water may drip on the defrost heater, causing sizzling sounds.

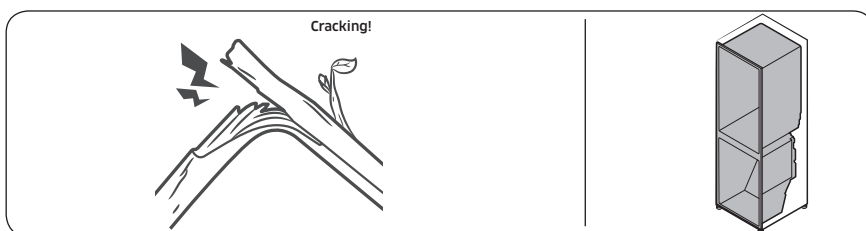


Troubleshooting

- As the refrigerator cools or freezes, refrigerant gas moves through sealed pipes, causing bubbling sounds.



- As the refrigerator temperature increases or decreases, plastic parts contract and expand, creating knocking noises. These noises occur during the defrosting cycle or when electronic parts are working.



- For ice maker models: When the water valve opens to fill the ice maker, buzzing sounds may occur.
- Because of pressure equalizing when opening and closing the refrigerator door, whooshing sounds may occur.

SmartThings

Symptom	Action
Could not find "SmartThings" in the app market.	<ul style="list-style-type: none">The SmartThings app is designed for Android 8.0 or later, iOS 12.0 or later, iPhone 6 or later, and is optimized for Samsung smartphones (Galaxy S and Galaxy Note series).
The SmartThings app fails to operate.	<ul style="list-style-type: none">The SmartThings app is available for applicable models only.The old Samsung Smart Refrigerator app cannot connect with Samsung Smart Home models.
The SmartThings app is installed but is not connected to my refrigerator.	<ul style="list-style-type: none">You must log into your Samsung account to use the app.Make sure that your router is operating normally.If you have not connected your refrigerator to the SmartThings App after the app was installed, you must make the connection using the device registration function of the app.
Could not log into the app.	<ul style="list-style-type: none">You must log into your Samsung account to use the app.If you don't have a Samsung account, follow the app's onscreen instructions to create one.
An error message appears when I try to register my refrigerator.	<ul style="list-style-type: none">Easy Connection may fail due to the distance from your access point (AP) or electrical interference from the surrounding environment. Wait a moment and try again.
The SmartThings app is successfully connected to my refrigerator but does not run.	<ul style="list-style-type: none">Exit and restart the SmartThings app or disconnect and reconnect the router.Unplug the power cord of the refrigerator, and then plug it in again after 1 minute.

Troubleshooting

LCD

Symptom	Action
Cannot connect to my TV.	<ul style="list-style-type: none">• This refrigerator can connect only with Samsung Smart TV 6400 series or higher models released since 2015. Please check the model name of your TV first.• Network connections may suffer temporary interruptions. Turn your TV off, and then try again.
The inner view picture looks bulged out or incomplete.	<ul style="list-style-type: none">• The edges of the inner view may look bulged out. The bulging is caused by the convex lens of the camera.• The inner view may be incomplete due to the blind spots on the left and right corners or screened depending on the layout of food items. Make sure to place food items in the front center.
The displayed measurement on the Fridge Manager is not correct.	<ul style="list-style-type: none">• The displayed conditions may differ from the actual temperature and humidity.

Memo

SAMSUNG

Contact SAMSUNG WORLD WIDE

If you have any questions or comments relating to Samsung products, please contact the SAMSUNG customer care centre.

Country	Contact Center	Web Site
INDIA	1800 40 SAMSUNG (1800 40 7267864) (Toll-Free) 1800 5 SAMSUNG (1800 5 7267864) (Toll-Free)	www.samsung.com/in/support

This Product is RoHS compliant



DA68-04608B-00

रेफ्रिजरेटर

उपयोगकर्ता मार्गदर्शिका

फ्री स्टैंडिंग उपकरण

SAMSUNG



सामग्रियाँ

सुरक्षा जानकारी	4
सुरक्षा निर्देशों के बारे में आपको क्या जानने की आवश्यकता है	4
महत्वपूर्ण सुरक्षा प्रतीक और सावधानियाँ:	7
सुरक्षा-संबंधी महत्वपूर्ण सावधानियाँ	8
परिवहन और साइट के लिए गंभीर चेतावनी चिह्न	12
महत्वपूर्ण स्थापना चेतावनियाँ	13
स्थापना सावधानियाँ	17
महत्वपूर्ण उपयोग चेतावनियाँ	17
उपयोग सावधानियाँ	23
सफाई सावधानियाँ	26
महत्वपूर्ण निपटान चेतावनियाँ	28
उचित उपयोग के लिए अतिरिक्त युक्तियाँ	29
WEEE के बारे में निर्देश	30
स्थापना	31
रेफ्रिजरेटर एक नज़र में	31
चरण-दर-चरण स्थापना	33
अंदर ले जाने के लिए दरवाज़े निकालना	39
परिचालन	43
फैमिली हब होम स्क्रीन	43
सॉफ़्टवेयर बटन	44
फ्रिज़ मैनेजर	45
डिस्प्ले रीसेट (केवल लागू मॉडल)	45
SmartThings	46
आवाज़ पहचान के लिए सिफारिशें	49
डिस्पेंसर पैनल (केवल उपयुक्त मॉडल)	50
विशेष सुविधाएँ	51
रखरखाव	59
प्रबंधन और देखभाल	59
सफाई	61
प्रतिस्थापन	62



समस्या-निवारण	63
सामान्य	63
क्या आपको रेफ्रिजरेटर से असामान्य आवाज़ें सुनाई देती हैं?	67
SmartThings	69
LCD	70



सुरक्षा जानकारी

अपना नया Samsung रेफ्रिजरेटर का उपयोग करने के पहले, कृपया इस मैन्युअल को पूरी तरह पढ़ लें ताकि यह सुनिश्चित हो सके कि आपको उन सुविधाओं और फ़ंक्शन के संचालन के बारे में पता है जो आपका नया उपकरण सुरक्षित और दक्ष तरीके से पेश करता है।

सुरक्षा निर्देशों के बारे में आपको क्या जानने की आवश्यकता है

- इस नियम-पुस्तिका में चेतावनी एवं महत्वपूर्ण सुरक्षा निर्देशों में घटित हो सकने वाली सभी संभव परिस्थितियाँ तथा स्थितियाँ नहीं शामिल हैं। यह आपकी जिम्मेदारी है कि आप स्थापित, रखरखाव, तथा अपने उपकरण का संचालन करते समय सहज ज्ञान, सतर्कता एवं सावधानी का प्रयोग करें।
- चूँकि ये निम्नलिखित संचालन निर्देश विभिन्न मॉडल पर लागू होते हैं, इसलिए आपके रेफ्रिजरेटर की विशेषताएँ इस मार्गदर्शिका में वर्णित विशेषताओं से थोड़ी भिन्न हो सकती हैं और हो सकता है सभी चेतावनी चिह्न लागू न हों। अगर आपके कोई प्रश्न या शंकाएँ हैं, तो अपने निकटतम सर्विस सेंटर से संपर्क करें या www.samsung.com पर ऑनलाइन सहायता और जानकारी प्राप्त करें।
- R-600a या R-134a को प्रशीतक के रूप में प्रयोग किया जाता है। आपके उपकरण के लिए उपयोग किए गए प्रशीतक का पता लगाने के लिए उपकरण के पिछले हिस्से में कंप्रेसर लेबल या फ्रिज के अंदर रेटिंग लेबल देखें। इस उत्पाद में (प्रशीतक R-600a) ज्वलनशील गैस निहित होने पर, इस उत्पाद के सुरक्षित निपटान के संबंध में अपने स्थानीय प्राधिकरण से संपर्क करें।
- प्रशीतन सर्किट में रिसाव पाए जाने की स्थिति में ज्वलनशील गैस-वायु मिश्रण के निर्माण से बचने के लिए, उपकरण वाले कमरे का आकार प्रयुक्त प्रशीतक की मात्रा पर निर्भर हो सकता है।



- क्षति के लक्षण इंगित करने वाले उपकरण को कभी आरंभ न करें। अगर कोई शंका है, तो अपने डीलर से परामर्श लें। उपकरण के अंदर R-600a के प्रत्येक 8 g प्रशीतक के लिए 1मी.³ आकार का कमरा होना चाहिये।
आपके व्यक्तिगत उपकरण में रेफ्रिजरेट की मात्रा उपकरण के भीतर लगी पहचान प्लेट पर दिखाई गई है।
- पाइपों से फुहार के रूप में बाहर छलकने वाले रेफ्रिजरेट के कारण आग लग सकती है या आँखों को चोट पहुँच सकती है। जब पाइप से रेफ्रिजरेट रिस रहा हो, तो अनावृत ज्वाला से बचें और किसी भी ज्वलनशील पदार्थ को उत्पाद से दूर ले जाएँ और कमरे में तुरंत हवा का संचार करें।
 - ऐसा करने में विफल रहने पर आग लग सकती है या विस्फोट हो सकता है।
- खाद्य पदार्थों को दूषित होने से बचाने के लिए, कृपया निम्न निर्देशों का पालन करें:
 - ज्यादा देर तक दरवाजा खुला रखने से उपकरण के कंपार्टमेंट का तापमान अधिक बढ़ सकता है।
 - खाद्य पदार्थों के संपर्क में आने वाली सतहों को और पहुँच योग्य ड्रेनेज सिस्टम को नियमित रूप से साफ करें।
 - यदि 48 घंटों से पानी की टंकी का उपयोग नहीं किया गया है, तो उसे साफ करें; यदि 5 दिनों से पानी बाहर नहीं निकाला गया है, तो जल आपूर्ति से जुड़े पानी के सिस्टम को खाली करें।
 - कच्चे मांस और मछली को उपयुक्त कंटेनर में डालकर रेफ्रिजरेटर में रखें, ताकि अन्य खाद्य पदार्थ के संपर्क में न आये या रिसकर खाद्य पदार्थों के ऊपर न गिरे।



सुरक्षा जानकारी

- पहले से जमे हुए खाद्य पदार्थों को रखने, आइसक्रीम रखने या बनाने या बर्फ के टुकड़े बनाने के लिए दो स्टार वाले फ्रोजन-फूड कंपार्टमेंट उपयुक्त होते हैं।
- ताज़ा खाद्य पदार्थों को फ्रीज करने के लिए एक, दो और तीन स्टार वाले कंपार्टमेंट उपयुक्त नहीं होते हैं।
- यदि प्रशीतन उपकरण अधिक समय से खाली छोड़ा गया है, तो उपकरण के अंदर फफूंदी लगने से रोकने के लिए उसे बंद करें, डिफ्रॉस्ट करें, साफ करें, सुखाएँ और दरवाजे को खुला छोड़ दें।





महत्वपूर्ण सुरक्षा प्रतीक और सावधानियाँ:

कृपया इस मैनुअल में दिए गए सभी सुरक्षा निर्देशों का पालन करें। यह मैनुअल नीचे दिए गए सुरक्षा प्रतिकों का उपयोग करता है।

⚠ चेतावनी

खतरे या असुरक्षित अभ्यास जिनके परिणाम स्वरूप गंभीर चोट, संपत्ति क्षति और/या मृत्यु तक हो सकती है।

⚠ सावधान

खतरे या असुरक्षित अभ्यास जिनके परिणाम स्वरूप गंभीर चोट और/या संपत्ति क्षति तक हो सकती है।

📄 नोट

उपयोगी जानकारी जिनसे उपयोगकर्ताओं को रेफ्रिजरेटर को समझने या उसका लाभ पाने में सहायता मिलती है।

ये चेतावनी संकेत आपको और दूसरों को चोट लगने से बचाने के लिए यहाँ मौजूद हैं।

कृपया उनका सावधानी से पालन करें।

इस खंड को पढ़ने के बाद, भावी संदर्भ के लिए उसे किसी सुरक्षित जगह पर रखें।



सुरक्षा जानकारी

सुरक्षा-संबंधी महत्वपूर्ण सावधानियाँ



चेतावनी; आग लगने का जोखिम / ज्वलनशील सामग्री

⚠ चेतावनी

- उपकरण का स्थापन करते समय, सुनिश्चित करें कि आपूर्ति करने वाली कॉर्ड फंसी या क्षतिग्रस्त ना हो।
- उपकरण के पीछे एकाधिक पोर्टबल सॉकेट आउटलेट या पोर्टबल बिजली की आपूर्ति न करें।
- केवल पीने योग्य पानी ही भरें।
- केवल पीने योग्य पानी की आपूर्ति से ही कनेक्ट करें।
- उपकरण की अंदरूनी जगह या अंतर्निहित संरचना में मौजूद वायुसंचार छिद्रों में किसी भी तरह की रुकावट न आने दें।
- विहिमीकरण प्रक्रिया को तेज़ करने के लिए निर्माता द्वारा अनुशंसित मशीनी उपकरण या किसी दूसरे उपाय के अलावा किसी अन्य उपकरण या उपाय का उपयोग न करें।
- प्रशीतक सर्किट को क्षति न पहुँचाएँ।
- खाद्य पदार्थ संग्रहीत करने के कंपार्टमेंट के अंदर ऐसे इलेक्ट्रिकल उपकरणों का उपयोग न करें, जो निर्माता द्वारा अनुशंसित प्रकार के इलेक्ट्रिकल उपकरण न हों।

- यह उपकरण क्षीण शारीरिक, संवेदक या मानसिक क्षमता वाले व्यक्तियों (बच्चों सहित) के, या उन व्यक्तियों के उपयोग हेतु नहीं बनाया गया है जिनमें अनुभव और ज्ञान की कमी हो, बशर्ते उन्हें उनकी सुरक्षा के लिए किसी जिम्मेदार व्यक्ति द्वारा पर्यवेक्षण, या उपकरण के उपयोग संबंधी निर्देश प्रदान किया गया हो।
- इस उपकरण का उपयोग 8 साल या उससे बड़े बच्चों तथा क्षीण शारीरिक, संवेदक या मानसिक क्षमताएँ या कम अनुभव एवं ज्ञान वाले व्यक्तियों द्वारा किया जा सकता है बशर्ते कि उन्हें उपकरण को सुरक्षित तरीके से उपयोग से जुड़े पर्यवेक्षण या निर्देश प्रदान किए गए हैं और वे इससे उत्पन्न खतरों को समझते हैं। बच्चों को उपकरण के साथ नहीं खेलने देना चाहिए। पर्यवेक्षण के बिना बच्चों को सफाई और उपयोगकर्ता रखरखाव नहीं करना चाहिए। 3 से 8 वर्ष की आयु के बच्चों को प्रशीतक उपकरणों को लोड और अनलोड करने की अनुमति है।
- यदि बिजली की तार खराब हो, तो जोखिम से बचने के लिए इसे निर्माता, इसके सेवा एजेंट या समान रूप से योग्य व्यक्ति द्वारा बदला जाना चाहिए।
- सॉकेट पर आसानी से पहुंच होना चाहिए ताकि उपकरण को आपातकाल में बिजली की आपूर्ति से तुरंत डिस्कनेक्ट किया जा सके।
 - यह उपकरण के पीछे के क्षेत्र के बाहर होना चाहिए।
- इस उपकरण में विस्फोटक पदार्थों जैसे कि ऐरोसॉल के डिब्बे को ज्वलनशील प्रणोदक के साथ नहीं रखें।
- अगर उत्पाद में LED लैम्प लगे हैं, तो स्वयं लैंप कवर और LED लैम्प को न खोलें।
 - किसी Samsung सर्विस सेंटर से संपर्क करें।



सुरक्षा जानकारी

- केवल निर्माता या इसके सर्विस एजेंटों द्वारा प्रदान की गई LED लैंप का ही उपयोग करें।
- उपकरण के साथ आने वाले नए होज़-सेट उपयोग किए जाने चाहिए और पुराने होज़ सेट का फिर से उपयोग नहीं करना चाहिए।
- रेफ्रिजरेटर की पानी की आपूर्ति केवल एक पीने योग्य पानी की आपूर्ति से जुड़ी है। आइस मेकर को सुचारु रूप से कार्य करने के लिए 206-861 kPa (30-125 psi) पानी के दाब की आवश्यकता होती है।
- ऊर्जा के सबसे कुशल उपयोग के लिए, निर्माता द्वारा बताए गए स्थानों पर सभी आंतरिक फिटिंग जैसे बास्केट, ड्रॉवर, शेल्फ को रखें।
- इस उत्पाद की श्रेष्ठ ऊर्जा कार्यक्षमता पाने के लिए, कृपया सभी शेल्फ, ड्रॉवर और बास्केट को उनके मूल स्थान पर रखें।

ऊर्जा उपभोग को कैसे कम करें

- पर्याप्त हवादार वाले एक ठंडे, शुष्क कमरे में उपकरण स्थापित करें।
- सुनिश्चित करें कि यह सीधे सूर्य के प्रकाश के संपर्क में नहीं आ रहा है और कभी भी इसे गर्मी के प्रत्यक्ष स्रोत (उदाहरण के लिए रेडिएटर) के पास न रखें।
 - ऊर्जा दक्षता के लिए किसी भी छेद या ग्रिल को अवरुद्ध करने की अनुशंसा नहीं की जाती है।
 - उपकरण में रखने से पहले गर्म भोजन को ठंडा होने दें।
 - जमे हुए भोजन को पिघलाने के लिए रेफ्रिजरेटर में रखें। फिर आप रेफ्रिजरेटर में भोजन को ठंडा करने के लिए जमे हुए उत्पादों के कम तापमान का उपयोग कर सकते हैं।



- खाद्य पदार्थों को रखते या बाहर निकालते समय उपकरण के दरवाज़े को बहुत देर तक खोलकर न रखें।
- आप जितने कम समय के लिए दरवाज़ा खोलेंगे, फ़्रीजर में उतनी कम बर्फ़ जमेगी।
- रेफ़्रिजरेटर के पिछले भाग को नियमित रूप से साफ़ करें। धूल से बिजली की खपत बढ़ती है।
- तापमान को आवश्यकता से अधिक ठंडे पर सेट न करें।
- रेफ़्रिजरेटर के नीचे और रेफ़्रिजरेटर की पिछली दीवार पर पर्याप्त वायु निकास सुनिश्चित करें। वायु निकास छिद्रों को ढँकें नहीं।
- इंस्टॉल करते समय दाएं, बाएं, पीछे और ऊपर खाली स्थान छोड़ें। इससे बिजली की खपत घटने और आपके ऊर्जा बिल को कम रखने में सहायता मिलेगी।

यह उपकरण केवल घरेलू या इसी प्रकार के स्थानों पर उपयोग किए जाने के लिए बनाया गया है, जैसे कि

- दुकानों, कार्यालयों और अन्य कार्यस्थलों में कर्मचारियों के लिए बने रसोईघरों में;
- फ़ार्म हाउस में और होटलों, मोटलों और अन्य आवासीय स्थानों पर क्लाइंट द्वारा;
- विश्राम और खान-पान वाले परिवेश में;
- केटरिंग और इसी प्रकार के गैर-खुदरा स्थानों पर।



सुरक्षा जानकारी

परिवहन और साइट के लिए गंभीर चेतावनी चिह्न

⚠ चेतावनी

- उपकरण के स्थानांतरण एवं स्थापना के दौरान प्रशीतन सर्किट के किसी भी भाग का क्षतिग्रस्त न होना सुनिश्चित करने के लिए सावधानी बरतनी चाहिए।
 - पाइप से रिसने वाले रेफ्रिजरेंट से आग लग सकती है या आँखों को चोट पहुँच सकती है। यदि रिसाव का पता लगता है, तो अग्नि या प्रज्वलन के संभावित स्रोत से बचें और उपकरण वाले कमरे में कुछ समय तक हवा आने दें।
 - इस उपकरण में बहुत कम मात्रा में इसोब्यूटेन प्रशीतलन (R-600a) मौजूद होता है, यह अत्यधिक प्राकृतिक पर्यावरण अनुकूलता के साथ एक प्राकृतिक गैस है, हालांकि, यह दहनशील भी है। उपकरण के स्थानांतरण एवं स्थापना के दौरान प्रशीतन सर्किट के किसी भी भाग का क्षतिग्रस्त न होना सुनिश्चित करने के लिए सावधानी बरतनी चाहिए।
- रेफ्रिजरेटर का परिवहन और स्थापित करते समय, रेफ्रिजरेटर के पीछे के भाग में स्थित पानी निकासी छेद को छुए नहीं।
 - इससे रेफ्रिजरेटर को क्षति पहुँच सकती है और नतीजतन पानी के डिस्पेंसर का उपयोग नहीं किया जा सकेगा।





महत्वपूर्ण स्थापना चेतावनियाँ

⚠ चेतावनी

- रेफ्रिजरेटर को आर्द्रता वाले स्थान पर या किसी ऐसे स्थान पर स्थापित न करें जहाँ यह पानी के संपर्क में आ सकता हो।
 - विद्युतीय हिस्सों पर खराब विद्युत-रोधन के कारण बिजली के झटके या आग लग सकती है।
- इस रेफ्रिजरेटर को सीधे सूर्यप्रकाश में न रखें या इसे स्टोव, रूम हीटर या अन्य उपकरणों की गर्मी से दूर रखें।
- एकाधिक पावर स्ट्रिप में अनेक उपकरणों के प्लग न लगाएँ। रेफ्रिजरेटर का प्लग हमेशा अपने बिजली के आउटलेट में लगा होना चाहिए जिसकी वोल्टेज रेटिंग रेफ्रिजरेटर की रेटिंग प्लेट में सूचीबद्ध वोल्टेज से मेल खाती हो।
 - इससे सर्वश्रेष्ठ कार्य-निष्पादन मिलता है और इससे घर का वायरिंग सर्किट ओवरलोड होने से भी बचता है, जिससे अत्यधिक गर्म तारों से आग का खतरा हो सकता है।
- यदि दीवार का सॉकेट ढीला हो, तो उसमें पावर प्लग न लगाएँ।
 - इससे बिजली के झटके या आग का जोखिम होता है।
- ऐसे किसी बिजली की तार का उपयोग न करें जिसकी पूरी लंबाई या किसी छोर में दरारें या घर्षण क्षति नजर आ रही हो।
- बिजली के तार को अधिक न मोड़ें या इस पर भारी चीजें न रख दें।
- बिजली के तार को खींचे या अधिक मोड़े नहीं।
- बिजली के तार को मरोड़ें या बाँधें नहीं।





सुरक्षा जानकारी

- बिजली के तार को किसी धातु की वस्तु पर नहीं टांगें, बिजली के तार पर कोई भारी चीज़ नहीं रखें, बिजली के तार के बीच कोई चीज़ नहीं डालें या बिजली के तार को उपकरण के पीछे के भाग की जगह में धकेले नहीं।
- रेफ्रिजरेटर को एक स्थान से दूसरे स्थान पर ले जाने के समय, बिजली की तार के मुड़ने या क्षतिग्रस्त नहीं होने का ध्यान रखें।
 - इसके कारण बिजली का झटका या आग लग सकती है।
- अपने रेफ्रिजरेटर को बिजली की तार खींच कर कभी भी अनप्लग न करें। प्लग को हमेशा सख्ती से पकड़ें और आउटलेट से सीधे में निकालें।
 - तार में क्षति के कारण शॉर्ट-सर्किट हो सकता है, आग और/या बिजली का झटका लग सकता है।
- रेफ्रिजरेटर के पास ऐरोसॉल्स का उपयोग न करें।
 - रेफ्रिजरेटर के पास ऐरोसॉल्स का उपयोग करने से विस्फोट हो सकता है या आग लग सकती है।
- इस उपकरण को किसी ऐसे स्थान स्थापित न करें जहाँ हीटर या ज्वलनशील सामग्री हो।
- इस उपकरण को किसी ऐसे स्थान पर स्थापित न करें जहाँ गैस रिस सकती हो।
 - इसके कारण बिजली का झटका या आग लग सकती है।
- यह रेफ्रिजरेटर आपके द्वारा उपयोग होने के पहले इस पुस्तिका में दिए निर्देशों के अनुसार उचित तरीके से अवस्थित और स्थापित होना चाहिए।



- तार को नीचे लटकाकर बिजली के प्लग को उचित स्थिति में कनेक्ट करें।
 - अगर आप बिजली के प्लग को उल्टा लगाते हैं, तो तार कट सकता है और आग या बिजली का झटका लग सकता है।
- रेफ्रिजरेटर के पिछले हिस्से द्वारा बिजली के प्लग का कुचलना या क्षतिग्रस्त न होना सुनिश्चित करें।
- पैकिंग सामग्री को बच्चों की पहुँच से दूर रखें।
 - यदि कोई बच्चा/बच्ची अपने सिर पर पैकिंग सामग्री रख लेता/लेती है तो दम घुटने के कारण मृत्यु का खतरा होता है।
- इस उपकरण को किसी नम, तेलीय या धूलयुक्त स्थान, किसी ऐसे स्थान पर न रखें जहाँ सीधा सूर्यप्रकाश और पानी (वर्षा की बूंदों) आता हो।
 - विद्युतीय हिस्सों में खराब विद्युत-रोधन के कारण बिजली के झटके या आग लग सकती है।
- अगर रेफ्रिजरेटर में धूल या पानी है, तो बिजली के प्लग को निकाल दें और अपने Samsung इलेक्ट्रॉनिक्स सर्विस सेंटर से संपर्क करें।
 - अन्यथा, आग लगने का जोखिम बना रहता है।
- उपकरण के ऊपर खड़े न हों या उपकरण पर वस्तुएँ (जैसे धुलने वाले कपड़े, जली मोमबत्ती, जली सिगरेट, थालियाँ, रसायन, धातु की वस्तुएँ आदि) न रखें।
 - इससे बिजली का झटका, आग लग सकती है, उत्पाद में समस्याएँ हो सकती हैं या चोट लग सकती है।
- आरंभ में उत्पाद को प्लग इन करने के पहले सभी सुरक्षात्मक प्लास्टिक परत निकाल दी जानी चाहिए।



सुरक्षा जानकारी

- बच्चों पर निगरानी रखी जानी चाहिए ताकि यह सुनिश्चित हो सके कि वे दरवाजा समायोजन के लिए प्रयुक्त स्प्रैप रिंग या वाटर ट्यूब क्लिप के साथ न खेलें।
 - यदि बच्चा स्प्रैप रिंग या वाटर ट्यूब क्लिप निगल जाता है तो दम घुटने से मौत का खतरा होता है। स्प्रैप रिंग या वाटर ट्यूब क्लिप को बच्चों की पहुँच से दूर रखें।
- रेफ्रिजरेटर सुरक्षित तरीके से ग्राउंड किया गया होना चाहिए।
 - कोई जाँच-पड़ताल या उपकरण के किसी हिस्से की मरम्मत का प्रयास करने के पहले हमेशा सुनिश्चित कर लें कि आपने रेफ्रिजरेटर को ग्राउंड कर लिया है। बिजली के लीकेज के कारण बिजली के गंभीर झटके लग सकते हैं।
- गैस पाइप, टेलीफोन लाइन, या अन्य संभावित बिजली-संवाहकों का उपयोग इलेक्ट्रिकल ग्राउंड की तरह कभी न करें।
 - बिजली लीकेज रोकने या रेफ्रिजरेटर से वर्तमान लीकेज के कारण बिजली के झटके से बचने के लिए आपको रेफ्रिजरेटर को ग्राउंड कर देना चाहिए।
 - इससे बिजली का झटका, आग लग सकती है, विस्फोट हो सकता है या उत्पाद में समस्याएँ हो सकती हैं।
- पावर प्लग को वॉल सॉकेट में ठीक से लगाएँ। खराब पावर प्लग, खराब पावर कॉर्ड या ढीले वॉल सॉकेट का उपयोग न करें।
 - इसके कारण बिजली का झटका या आग लग सकती है।
- रेफ्रिजरेटर पर लगा फ्यूज योग्य तकनीशियन या सर्विस कंपनी द्वारा ही बदला जाना चाहिए।
 - ऐसा करने में विफल रहने पर बिजली का झटका या निजी चोट लग सकती है।





स्थापना सावधानियाँ

⚠ सावधान

- रेफ्रिजरेटर के आसपास पर्याप्त स्थान छोड़ें और इसे सपाट सतह पर स्थापित करें।
 - अगर आपका रेफ्रिजरेटर समतल पर न हो, तो कूलिंग क्षमता और टिकाऊपन कम हो सकता है।
- उपकरण की स्थापना के बाद उसमें खाद्य पदार्थ रखने और उपकरण को चालू करने से पहले 2-3 घंटे के लिए उसे खड़ा रखें।
- हम पुरजोर अनुशंसा करते हैं कि आप किसी योग्यता प्राप्त तकनीशियन या सर्विस कंपनी से रेफ्रिजरेटर स्थापित करवाएँ।
 - ऐसा करने में विफल रहने पर बिजली का झटका लग सकता है, आग लग सकती है, विस्फोट हो सकता है, उत्पाद में समस्याएँ हो सकती हैं या चोट लग सकती है।

महत्वपूर्ण उपयोग चेतावनियाँ

⚠ चेतावनी

- गीले हाथों से बिजली का प्लग बिजली के सॉकेट में नहीं लगाएँ।
 - इसके कारण बिजली का झटका लग सकता है।
- उपकरण के शीर्ष पर सामान न रखें।
 - जब आप दरवाजा खोलते या बंद करते हैं, तो सामान गिर सकते हैं तथा उससे व्यक्तिगत रूप से चोट लग सकती है और/या उपकरण क्षतिग्रस्त हो सकता है।





सुरक्षा जानकारी

- हाथों, पैरों या धातु की वस्तुओं (जैसे चॉपस्टिक, आदि) को रेफ्रिजरेटर के निचले या पिछले भाग में न डालें।
 - इसके कारण बिजली का झटका या चोट लग सकती है।
 - किसी भी नुकीले किनारे से व्यक्तिगत रूप से चोट लग सकती है।
- गीले हाथों से फ्रीजर के अंदरूनी दीवारों या फ्रीजर में रखे उत्पादों को न छुएँ।
 - इससे शीतदंश हो सकता है।
- पानी से भरे पात्र को उपकरण पर न रखें।
 - इसके छलकने से आग या बिजली के झटके का खतरा हो सकता है।
- फ्रीज में अस्थिर या ज्वलनशील वस्तुओं या पदार्थों (बेन्ज़ीन, थिनर, प्रोपेन गैस, अल्कोहल ईथर, LP गैस और ऐसे अन्य उत्पाद) न रखें।
 - यह रेफ्रिजरेटर केवल भोजन के भंडारण के लिए है।
 - इसके कारण आग लग सकती है या विस्फोट हो सकता है।
- बच्चों की देखरेख की जानी चाहिए ताकि उनका उपकरण के साथ न खेलना सुनिश्चित किया जा सके।
 - उँगलियों को “पिंच-पॉइंट” क्षेत्रों से दूर रखें। दरवाज़ों और कैबिनेट के बीच का स्थान आवश्यक रूप से छोटा होता है। दरवाजा खोलते समय सावधान रहें यदि बच्चे आसपास हों।
- दरवाज़ों के बीच में अपनी या बच्चों की उँगलियाँ न डालें।
 - बाएँ और दाएँ दरवाजे के अंतर से उँगलियों को दूर रखें। यदि आपकी उँगलियाँ दरवाज़ों के बीच है, तो दरवाजा खोलते समय सावधान रहें।
- बच्चों को दरवाज़ा या दरवाज़ा पात्र से लटकने न दें। गंभीर चोट लग सकती है।
- बच्चों को रेफ्रिजरेटर के भीतर जाने नहीं दें। वे अंदर फंस सकते हैं।





- अपने हाथों को उपकरण के नीचे तल क्षेत्र में डालें।
 - किसी भी नुकीले किनारे से व्यक्तिगत चोट लग सकती है।
- रेफ्रिजरेटर में औषधीय उत्पादों, वैज्ञानिक सामग्रियाँ, या तापमान-संवेदी उत्पादों को न रखें।
 - ऐसे उत्पादों को रेफ्रिजरेटर में नहीं रखा जाना चाहिए जिनके लिए सख्त तापमान नियंत्रणों की आवश्यकता होती है।
- अगर आपको औषधि या धूँ की गंध आती है, तो तुरंत बिजली का प्लग निकाल दें और अपने Samsung इलेक्ट्रॉनिक्स सर्विस सेंटर से संपर्क करें।
- अगर रेफ्रिजरेटर में धूल या पानी है, तो बिजली के प्लग को निकाल दें और अपने Samsung इलेक्ट्रॉनिक्स सर्विस सेंटर से संपर्क करें।
 - अन्यथा, आग लगने का जोखिम बना रहता है।
- बच्चों को ड्रॉअर पर पैर रखने न दें।
 - ड्रॉअर टूट सकता है और वे फिसल सकते हैं।
- जब रेफ्रिजरेटर के पास कोई न हो तो उसके दरवाज़ों को खुला न छोड़ें और बच्चों को रेफ्रिजरेटर के भीतर प्रवेश न करने दें।
- शिशुओं और बच्चों को ड्रॉअर के भीतर न जाने दें।
 - इसके कारण फंसने की वजह से दम घुटने से मृत्यु हो सकती है या निजी चोट लग सकती है।
- रेफ्रिजरेटर को खाद्य पदार्थों से ज्यादा न भर दें।
 - जब आप दरवाजा खोलते हैं, तो कोई सामान गिर सकता है तथा उससे व्यक्तिगत रूप से चोट लग सकती है या सामग्री क्षतिग्रस्त हो सकती है।





सुरक्षा जानकारी

- उपकरण की सतह पर कीटनाशक जैसे ज्वलनशील पदार्थ का स्प्रे न करें।
 - मानवों के लिए खतरनाक होने के साथ-साथ, इसके परिणामस्वरूप बिजली का झटका, आग लग सकती है, या उत्पाद में समस्याएँ आ सकती हैं।
- कभी भी पानी के डिस्पेंसर छेद, आइस शूट और आइस मेकर बकेट में उंगलियाँ या अन्य चीज़ नहीं डालें।
 - इससे चोट या सामग्री को क्षति पहुँच सकती है।
- किन्हीं तापमान संवेदी पदार्थों जैसे ज्वलनशील स्प्रे, ज्वलनशील वस्तुएँ, सूखी बर्फ, दवाई या रसायनों का उपयोग रेफ्रिजरेटर के पास न करें या उन्हें रेफ्रिजरेटर के अंदर न रखें।
- रेफ्रिजरेटर के अंदरूनी हिस्से को सूखाने के लिए हेयर ड्रायर का उपयोग न करें। दुर्गंध हटाने के लिए रेफ्रिजरेटर के अंदर जलती मोमबत्ती न रखें।
 - इसके कारण बिजली का झटका या आग लग सकती है।
- पानी की टंकी, बर्फ की ट्रे और पानी की क्यूब को केवल पीने योग्य पानी (मिनरल वॉटर या परिष्कृत पानी) से ही भरें।
 - टंकी में चाय, जूस या खेल संबंधी पेय-पदार्थ न भरें, इससे रेफ्रिजरेटर को क्षति पहुँच सकती है।
- उपकरण के ऊपर खड़े न हों या उपकरण पर वस्तुएँ (जैसे धुलने वाले कपड़े, जली मोमबत्ती, जली सिगरेट, थालियाँ, रसायन, धातु की वस्तुएँ आदि) न रखें। इससे बिजली का झटका, आग लग सकती है, उत्पाद में समस्याएँ हो सकती हैं या चोट लग सकती है। पानी से भरे पात्र को उपकरण पर न रखें।
 - इसके छलकने से आग या बिजली के झटके का खतरा हो सकता है।



- UV LED लैंप को लंबे समय तक सीधे न घूरें।
 - इससे पराबैंगनी किरणों के कारण आँखों को नुकसान हो सकता है।
- शेल्फ उल्टा न लगाएँ। शेल्फ स्टॉपर शायद काम न करे।
 - इससे काँच की शेल्फ के गिरने के कारण निजी चोट लग सकती है।
- यदि गैस रिसाव का पता लगता है, तो अग्नि या प्रज्वलन के संभावित स्रोत से बचें और उपकरण वाले कमरे में कुछ समय तक हवा आने दें।
 - उपकरण या बिजली के तार को न छूएँ।
 - किसी हवादार पंखे का उपयोग न करें।
 - एक चिंगारी से विस्फोट या आग लग सकती है।
- बोटलों को एकदम सटाकर रखना चाहिए ताकि वे गिर न जाएँ।
- यह उत्पाद घरेलू परिवेश में केवल खाद्य पदार्थ के भंडारण के लिए नियत है।
- स्वयं रेफ्रिजरेटर की मरम्मत, उसके पुर्जे खोलने या उसे रूपांतरित करने का प्रयास न करें।
- मानक फ्यूज के अलावा किसी अन्य फ्यूज (जैसे ताँबे, स्टील के तार, आदि) का उपयोग न करें।
- यदि आपके रेफ्रिजरेटर को मरम्मत या पुनः स्थापित करने की जरूरत है, तो अपने निकटतम सर्विस सेंटर से संपर्क करें।
 - ऐसा करने में विफल रहने पर बिजली का झटका लग सकता है, आग लग सकती है, उत्पाद में समस्याएँ हो सकती हैं या चोट लग सकती है।



सुरक्षा जानकारी

- यदि रेफ्रिजरेटर से जलने की गंध या धुआँ निकलता है, तो रेफ्रिजरेटर को तत्काल अनप्लग करें और अपने Samsung इलेक्ट्रॉनिक्स सर्विस सेंटर से संपर्क करें।
 - ऐसा करने में विफल रहने पर बिजली या आग के जोखिम हो सकते हैं।
- रेफ्रिजरेटर के अंदरूनी लैंप को बदलने से पहले पावर प्लग को सॉकेट से बाहर निकाल लें।
 - अन्यथा, बिजली के झटके का जोखिम बना रहता है।
- यदि आपको गैर-LED लाइट बदलने में परेशानी होती है, तो Samsung सर्विस सेंटर से संपर्क करें।
- पावर प्लग को वॉल सॉकेट में ठीक से लगाएँ।
- खराब पावर प्लग, पावर कॉर्ड या ढीले वॉल सॉकेट का उपयोग न करें।
 - इसके कारण बिजली का झटका या आग लग सकती है।





उपयोग सावधानियाँ

⚠ सावधान

- गल चुके खाद्य पदार्थों को दोबारा फ्रीज न करें।
 - ताज़ा खाद्य पदार्थों की तुलना में जमे हुए और गल चुके खाद्य पदार्थों में तेज़ी से जीवाणु पैदा होंगे।
 - दूसरी बार गलाने से कोशिकाएँ और अधिक टूटती हैं, जिसके कारण उत्पाद नम पड़ जाता है और उसकी शुद्धता बदल जाती है।
- कमरे के तापमान पर मांस को न पिघलाएँ।
 - कच्चे उत्पाद को सही ढंग से प्रबंधित किया गया था या नहीं, इस आधार पर सुरक्षा निर्भर होगी।
- ग्लास बोतल या कार्बोनेट किए गए पेय-पदार्थों को फ्रीजर में न रखें।
 - पात्र जम या टूट सकता है और इससे चोट लग सकती है।
- केवल रेफ्रिजरेटर के साथ प्रदान किए गए आइस मेकर का उपयोग करें।
- यदि आप लंबे समय तक (उदाहरण के लिए छुट्टी पर) घर से दूर रहेंगे और पानी या बर्फ डिस्पेंसर का उपयोग नहीं करेंगे, तो पानी का वाल्व बंद करें।
 - अन्यथा, पानी का लीकेज हो सकता है।
- यदि आप लंबे समय तक रेफ्रिजरेटर का उपयोग नहीं करने वाले हैं, (3 सप्ताह या उससे अधिक) रेफ्रिजरेटर को बर्फ बकेट सहित खाली करें, पावर प्लग निकालें, पानी का वाल्व बंद करें, अंदर की दीवारों से अतिरिक्त नमी साफ करें और गंध और फफूँद को रोकने के लिए दरवाजे खोल दें।





सुरक्षा जानकारी

- उत्पाद से सर्वश्रेष्ठ प्रदर्शन पाने के लिए:
 - खाद्य पदार्थ को रेफ्रिजरेटर के पिछले भाग में निकासों के बिल्कुल निकट न रखें क्योंकि इससे रेफ्रिजरेटर कंपार्टमेंट में स्वतंत्र वायु संचार बाधित हो सकता है।
 - भोजन को रेफ्रिजरेटर में रखने से पहले उचित तरीके से ढकें या किसी वायुरुद्ध पात्र में रखें।
 - कृपया फ्रोजन सामानों के अधिकतम संग्रहण समय और समापन तिथियों का ध्यान रखें।
 - यदि आप तीन सप्ताह से कम समय तक दूर रहेंगे तो रेफ्रिजरेटर को बिजली की आपूर्ति से अलग करने की आवश्यकता नहीं है। यदि आप तीन सप्ताह से अधिक समय तक दूर रहेंगे, तो बर्फ बकेट में मौजूद सभी भोजन और बर्फ हटा दें, रेफ्रिजरेटर का प्लग निकालें, पानी का वाल्व बंद करें, अंदर की दीवारों से अतिरिक्त नमी साफ करें और गंध और फूँद को रोकने के लिए दरवाजे खोल दें।
- सर्विस वारंटी और रूपांतरण।
 - इस तैयार उपकरण पर तृतीय पक्ष द्वारा किया गया कोई भी परिवर्तन या रूपांतरण Samsung वारंटी सेवा में शामिल नहीं होता है, और न ही तृतीय पक्ष के रूपांतरणों से होने वाली सुरक्षा समस्याओं के लिए Samsung जिम्मेदार है।
- रेफ्रिजरेटर के भीतर हवा के निकासी छिद्र अवरुद्ध न करें।
 - अगर वायु निकास अवरुद्ध हो जाते हैं, विशेष रूप से प्लास्टिक बैग से, तो रेफ्रिजरेटर आवश्यकता से अधिक ठंडा हो सकता है। अगर कूलिंग अवधि बहुत देर तक बनी रहती है, तो पानी का फ़िल्टर टूट सकता है और पानी रिस सकता है।
- केवल रेफ्रिजरेटर के साथ प्रदान किए गए आइस-मेकर का उपयोग करें।



- भीतर से अधिक नमी को पोंछ दें और दरवाज़ों को खुला छोड़ दें।
 - अन्यथा, दुर्गंध और फफूँद उत्पन्न हो सकती है।
- यदि रेफ्रिजरेटर को बिजली आपूर्ति से डिस्कनेक्ट कर दिया गया है, तो वापस प्लग इन करने के लिए आपको कम से कम पाँच मिनट तक प्रतीक्षा करना चाहिए।
- जब रेफ्रिजरेटर पानी से भीग जाए, तो बिजली के प्लग को निकाल दें और अपने Samsung इलेक्ट्रॉनिक्स सर्विस सेंटर से संपर्क करें।
- शीशे की सतह पर प्रहार न करें या अत्यधिक बल प्रयोग न करें।
 - टूटे काँच से निजी चोट और/या संपत्ति को क्षति हो सकती है।
- पानी की टंकी और आइस क्यूब ट्रे को केवल पीने योग्य पानी (टैप का पानी, मिнерल वॉटर, या विशुद्ध पानी) से भरें।
 - टंकी को चाय या स्पोर्ट्स ड्रिंक से न भरें। इससे रेफ्रिजरेटर को नुकसान पहुँच सकता है।
- सावधान रहें कि यह आपकी उंगलियों पर न लगे।
- यदि रेफ्रिजरेटर में पानी भर गया है, तो अपने निकटतम सर्विस सेंटर से संपर्क करें।
 - इससे बिजली के झटके या आग का जोखिम होता है।
- अपने रेफ्रिजरेटर के दरवाजे के बिन्स में वनस्पति तेल न रखें। तेल जम सकता है, उसका स्वाद खराब हो सकता है और उसका इस्तेमाल करना मुश्किल हो सकता है। इसके अलावा, खुले कंटेनर से रिसाव हो सकता है और टपके हुए तेल से दरवाजे के बिन में दरार पैदा हो सकती है। तेल के कंटेनर को खोलने के बाद, उसे अलमारी या पेंट्री के शीतल और छायादार स्थान में रखना उचित होता है।
 - वनस्पति तेल के उदाहरण: जैतून का तेल, मकई का तेल, अंगूर के बीज का तेल, आदि।



सुरक्षा जानकारी

सफ़ाई सावधानियाँ

⚠ सावधान

- रेफ्रिजरेटर के अंदर या बाहर पानी का सीधा छिड़काव न करें।
 - इससे आग या बिजली के झटके का खतरा होता है।
- रेफ्रिजरेटर के अंदरूनी हिस्से को सूखाने के लिए हेयर ड्रायर का उपयोग न करें।
- दुर्गंध हटाने के लिए रेफ्रिजरेटर के अंदर जलती मोमबत्ती न रखें।
 - इसके कारण बिजली का झटका या आग लग सकती है।
- प्रदर्शन पर सफ़ाई उत्पादों को सीधे स्प्रे न करें।
 - प्रदर्शन पर लगे मुद्रित पत्र छूट सकते हैं।
- अगर कोई बाहरी पदार्थ जैसे पानी उपकरण में प्रवेश कर गया है, तो बिजली के प्लग को निकाल दें और अपने निकटतम सर्विस सेंटर से संपर्क करें।
 - ऐसा करने में विफल रहने पर बिजली का झटका या आग लग सकती है।
- बिजली के प्लग से किन्हीं बाहरी पदार्थ या धूल हटाने के लिए साफ़, सूखे कपड़े का उपयोग करें। प्लग साफ़ करते समय गीले या नम कपड़े का उपयोग नहीं करें।
 - अन्यथा, इससे आग या बिजली के झटके का खतरा होता है।
- उपकरण पर सीधे पानी का स्प्रे करके उसे साफ न करें।
- सफ़ाई के लिए बेंजीन, थिनेर, या क्लोरोक्स, क्लोराइड का उपयोग न करें।
 - वे उपकरण की सतह को क्षति पहुँचा सकते हैं और आग लगा सकते हैं।



- डिस्पेंसर के छिद्र में उंगलियाँ या अन्य वस्तुएँ कभी न डालें।
 - इससे चोट या सामग्री को क्षति पहुँच सकती है।
- सफाई या रखरखाव करने से पहले, उपकरण का प्लग दीवार के सॉकेट से निकाल दें।
 - ऐसा करने में विफल रहने पर बिजली का झटका या आग लग सकती है।
- रेफ्रिजरेटर को साफ़ करने के लिए रेफ्रिजरेटर स्पंज या मुलायम कपड़े और गर्म पानी में सौम्य डिटरजेंट का प्रयोग करें।
- बाहरी सतहों (दरवाजे और कैबिनेट), प्लास्टिक के हिस्सों, दरवाजे और इंटैरियर लाइनर और गैस्केट को खुरदुरे या रूखे क्लीनर, जैसे कि खिड़की के स्प्रे, मार्जक, ज्वलनशील तरल पदार्थ, म्यूरीएटिक एसिड, क्लीनिंग वैक्स, गाढ़े डिटरजेंट, ब्लीच या क्लीनर का प्रयोग न करें।
 - इससे सामग्री पर खरोँच या नुकसान हो सकता है।
- काँच के शेल्फ या कवर्स को ठंडे होने पर गर्म पानी से साफ़ ना करें। तापमान में अचानक परिवर्तन या बम्पिंग या गिरने जैसे प्रभावों से काँच के शेल्फ या कवर्स टूट सकते हैं।



सुरक्षा जानकारी

महत्वपूर्ण निपटान चेतावनियाँ

⚠ चेतावनी

- कृपया इस उत्पाद की पैकेजिंग सामग्री का निपटान पर्यावरण-अनुकूल तरीके से करें।
- निपटान से पहले सुनिश्चित करें कि रेफ्रिजरेटर के पीछे लगा कोई भी पाइप क्षतिग्रस्त नहीं है।
- इस रेफ्रिजरेटर का निपटान करते समय, दरवाज़ा/दरवाज़ा की सील, दरवाज़ा की सिटकनी निकाल दें ताकि छोटे बच्चे या जानवर इसके अंदर न फँस जाएँ। बच्चों की देखरेख की जानी चाहिए ताकि उनका उपकरण के साथ न खेलना सुनिश्चित किया जा सके। अंदर फँस जाने पर, बच्चों को चोट लग सकती है या दम घुटने से मृत्यु हो सकती है।
 - अंदर फँसने पर बच्चों को चोट लग सकती है और दम घुटने से मृत्यु हो सकती है।
- रोधन में साइक्लोपेंटेन का उपयोग होता है। रोधन सामग्री में मौजूद गैसों के लिए विशेष निपटान प्रक्रिया की आवश्यकता होती है। इस उत्पाद के पर्यावरण की दृष्टि से सुरक्षित निपटान के संबंध में अपने स्थानीय प्राधिकरणों से संपर्क करें।
- सभी पैकेजिंग सामग्रियों को बच्चों की पहुँच से दूर रखें, क्योंकि पैकेजिंग सामग्रियाँ बच्चों के लिए खतरनाक हो सकती हैं।
 - यदि कोई बच्चा अपने सिर पर बैग रख लेता है, तो बच्चे का दम घुट सकता है।





उचित उपयोग के लिए अतिरिक्त युक्तियाँ

- बिजली की खराबी होने की स्थिति में, अपनी इलेक्ट्रिक कंपनी के स्थानीय कार्यालय को फ़ोन करके पूछें कि बिजली कितनी देर तक बंद रहेगी।
 - एक या दो घंटों में सुधार ली जाने वाली अधिकतर बिजली खराबियाँ आपके रेफ्रिजरेटर तापमानों को प्रभावित नहीं करेंगी। हालाँकि, बिजली न होने पर आपको दरवाज़ा बार-बार नहीं खोलना चाहिए।
 - लेकिन अगर बिजली 24 घंटे से अधिक समय तक नहीं आती है, तो सभी फ़ोजन खाद्य पदार्थों को निकालें और फेंक दें।
- रेफ्रिजरेटर संभवतः लगातार काम न कर सके (फ़ोजन सामग्रियों में गरमाहट आ सकती है या फ़ोजन कंपार्टमेंट में तापमान बहुत गर्म हो सकता है) यदि इसे किसी ऐसे स्थान पर लंबे समय के लिए रखा जाए जहाँ का परिवेशी वायु तापमान उस तापमान से लगातार कम हो जिसमें काम करने के लिए इस उपकरण को तैयार किया गया है।
- विशेष खाद्य पदार्थों के मामले में, उन्हें प्रशीतन के तहत रखने से उनके गुणों के संरक्षण पर बुरा असर हो सकता है।
- आपका उपकरण तुषार मुक्त है, जिसका अर्थ है कि अपने उपकरण को मैनुअल रूप से विहिमीकृत करने की आवश्यकता नहीं है। यह स्वचालित रूप से हो जाएगा।
- विहिमीकरण के दौरान तापमान में बढ़ोतरी ISO अपेक्षाओं का अनुपालन करती है। अगर आप उपकरण के विहिमीकरण के दौरान फ़ोजन खाद्य पदार्थ के तापमान में अनावश्यक वृद्धि से बचना चाहते हैं, तो फ़ोजन खाद्य पदार्थ को समाचारपत्र की कई परतों में लपेट दें।
- उन जमे भोजनों को फिर न जमाएँ जो पूरी तरह पिघल चुके हैं।





सुरक्षा जानकारी

- दो सितारा चिन्ह वाले दो सितारा खंड (खंडों) या कंपार्टमेंट (कंपार्टमेंटस) का तापमान, (**) अन्य फ्रीजर कंपार्टमेंट (कंपार्टमेंटस) से थोड़ा अधिक होता है।

दो सितारा खंड या कंपार्टमेंट निर्देश पर और/या सुपुर्द करते समय की स्थिति पर आधारित होते हैं।

WEEE के बारे में निर्देश



इस उत्पाद का सही निपटान (अपशिष्ट इलेक्ट्रिकल एवं इलेक्ट्रॉनिक उपकरण) (पृथक संग्रहण प्रणालियों वाले देशों में लागू)

इस उत्पाद, सहायक उपकरणों या इसके दस्तावेजों पर स्थित चिहनांकन दर्शाता है कि इस उत्पाद, इसके इलेक्ट्रॉनिक सहायक उपकरणों (जैसे चार्जर, हैडसेट, USB केबल) का जीवनकाल समाप्त होने पर उनका निपटान अन्य घरेलू कचरे के साथ नहीं किया जाना चाहिए। अनियंत्रित अपशिष्ट निपटान से पर्यावरण और मनुष्यों को होने वाले नुकसान को रोकने के लिए, कृपया इन आइटम को अन्य प्रकार के कचरे से अलग कर दें और सामग्री संसाधनों के दीर्घकालिक पुनः उपयोग को बढ़ावा देने के लिए उन्हें जिम्मेदारी से रिसाइकल करें।

सुरक्षित निपटान और रिसाइकल करने के बारे में अधिक जानकारी के लिए हमारी वेबसाइट www.samsung.com/in/support पर जाएँ या नीचे दिए हमारे हेल्पलाइन नंबर - 1800 40 SAMSUNG (1800 40 7267864) पर संपर्क करें।



स्थापना

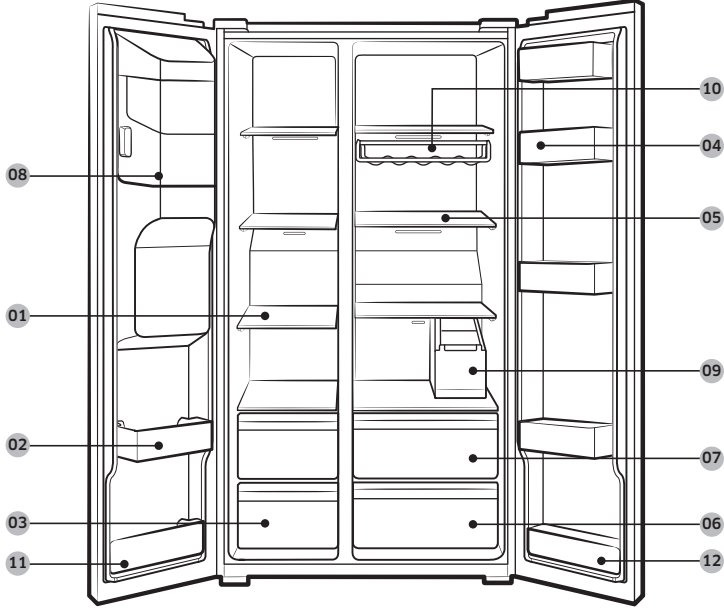
इस रेफ्रिजरेटर की उचित स्थापना और इसके उपयोग से पहले दुर्घटनाओं की रोकथाम सुनिश्चित करने के लिए इन निर्देशों का ध्यानपूर्वक पालन करें।

⚠ चेतावनी

- रेफ्रिजरेटर का उपयोग इस निर्देश पुस्तिका में वर्णित नियत उद्देश्य के लिए ही करें।
- किसी भी प्रकार की सर्विसिंग केवल योग्यता-प्राप्त तकनीशियनों द्वारा की जानी चाहिए।
- उत्पाद पैकेजिंग सामग्रियों का निपटान स्थानीय विनियमों के अनुसार करें।
- बिजली के झटके से बचने के लिए, सर्विसिंग या रिप्लेसमेंट से पहले पावर कॉर्ड निकाल लें।

रेफ्रिजरेटर एक नज़र में

आपके रेफ्रिजरेटर की वास्तविक दिखावट, मॉडल और देश के अनुसार भिन्न हो सकती है।



स्थापना

01 फ्रीजर शल्फ	02 मल्टीपर्पस फ्रीजर बिन	03 सूखे खादुय पदार्थ और मीट स्टोरेज ड्रॉअर
04 रेफ्रिजरेटर बिन	05 रेफ्रिजरेटर शल्फ	06 वेजिटेबल ड्रॉअर
07 मल्टीपर्पस ड्रॉअर	08 आइस मेकर बकेट	09 वॉटर की टंकी *
10 वाइन रैक *	11 लोअर फ्रीजर बिन	12 लोअर रेफ्रिजरेटर बिन

* केवल उपयुक्त मॉडल

नोट

अंडे के कंटेनर की डिज़ाइन मॉडल से अलग हो सकती है।

सावधान

नॉर्मल मॉडल के लिए, फ्रीजर शल्फ के स्थान में कोई बदलाव न करें। फ्रीजर शल्फ विभिन्न आकार के होते हैं और अगर आप इसके स्थान में बदलाव करते हैं, तो फ्रीज के डोर को बंद करते समय आप प्रोडक्ट को क्षति पहुंचा सकते हैं।

चरण-दर-चरण स्थापना

चरण 1 कोई एक साइट चुनें

स्थान की आवश्यकताएँ:

- ठोस, समतल सतह बगैर किसी प्रकार के कार्पेट या फ़्लोरिंग के जो कि वेंटिलेशन को बाधित कर सकते हैं
- सीधी धूप से दूर
- दरवाज़ा खोलने और बंद करने के लिए पर्याप्त जगह
- गर्मी के स्रोत से दूर
- रख-रखाव और सर्विसिंग के लिए जगह
- तापमान सीमा: 5 °C से 43 °C के बीच

प्रभावी तापमान सीमा

रेफ़्रिजरेटर को इस प्रकार डिज़ाइन किया गया है कि यह अपनी श्रेणी रेटिंग में निर्दिष्ट तापमान सीमा में सामान्य रूप से काम करे।

श्रेणी	प्रतीक	परिवेशी तापमान सीमा (°C)	
		IEC 62552 (ISO 15502)	ISO 8561
विस्तृत परिमित	SN	+10 से +32 तक	+10 से +32 तक
परिमित	N	+16 से +32 तक	+16 से +32 तक
उपोष्णकटिबंधीय	ST	+16 से +38 तक	+18 से +38 तक
उष्णकटिबंधीय	T	+16 से +43 तक	+18 से +43 तक

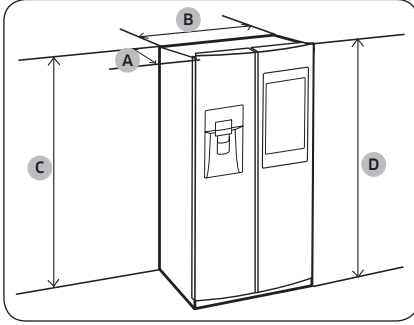
नोट

रेफ़्रिजरेटर का कूलिंग प्रदर्शन और बिजली उपभोग परिवेशी तापमान, दरवाज़ा खुलने की आवृत्ति, रेफ़्रिजरेटर के स्थान से प्रभावित हो सकता है। हम तापमान सेटिंग को उपयुक्ततानुसार समायोजित करने की अनुशंसा करते हैं।

स्थापना

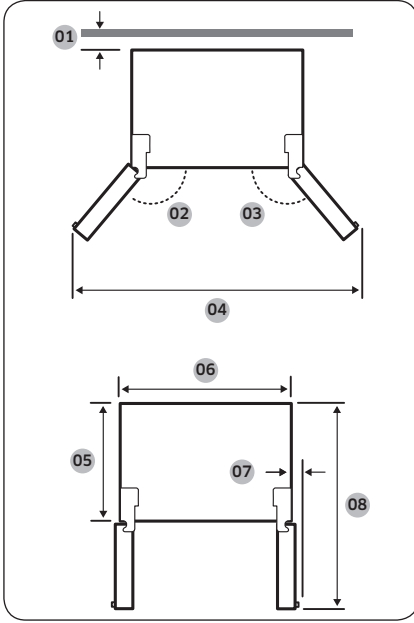
क्लीयरेंस

स्थापना के लिए स्थान की आवश्यकताओं के बारे में जानने के लिए नीचे प्रदान चित्र और तालिका देखें।



गहराई "A"	716
चौड़ाई "B"	912
ऊंचाई "C"	1746
संपूर्ण ऊंचाई "D"	1780

(इकाई: mm)



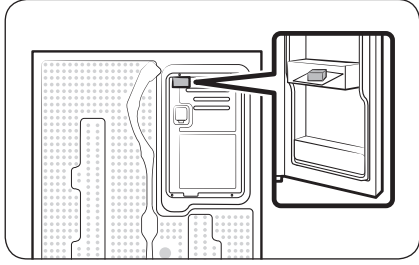
01	50 mm से अधिक की सिफारिश की जाती है
02	165°
03	170°
04	1730 mm
05	610 mm
06	912 mm
07	30 mm
08	1165 mm

नोट

माप पद्धति के आधार पर उपरोक्त तालिका में दिए गए माप भिन्न-भिन्न हो सकते हैं।

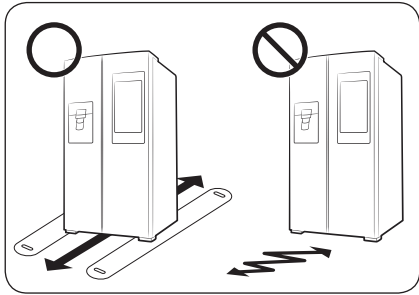


चरण 2 अंतर (केवल उपयुक्त मॉडल)



1. दरवाज़ा खोलें और प्रदान किए गए स्पेसर को खोजें।
2. स्पेसर को अनपैक करें और दिखाए अनुसार इसे रेफ्रिजरेटर के अंतिम भाग से जोड़ दें। यह पिछली दीवार की ओर वायु संचारित करने और बिजली की खपत को कम करने में मदद करता है।

चरण 3 सतह



- जिस सतह पर रेफ्रिजरेटर को रखा जाएगा, वह जगह पूरी तरह से लोड किए गए रेफ्रिजरेटर का भार संभालने योग्य होनी चाहिए।
- फ़र्श की सुरक्षा के लिए, रेफ्रिजरेटर के प्रत्येक पाँव के नीचे कार्डबोर्ड का एक बड़ा टुकड़ा रख दें।
- रेफ्रिजरेटर के अपने अंतिम स्थान पर आ जाने के बाद, इसे तब तक न हिलाएँ जब तक फ़र्श की सुरक्षा के लिए ऐसा करना आवश्यक न हो। यदि आपको ऐसा करना पड़े, तो स्थानांतरण पथ पर मोटे कागज़ या कपड़े जैसे कि पुराने कार्पेट का उपयोग करें।

नोट

यदि रेफ्रिजरेटर अपने आकार के कारण प्रवेशद्वार से अंदर नहीं आ पा रहा है, तो इंस्टॉलेशन अध्याय खंड में अंदर ले जाने के लिए दरवाज़े निकालना अनुभाग देखें।



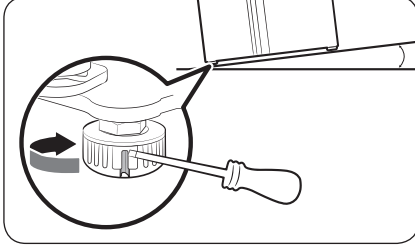
स्थापना

चरण 4 समतलीकरण पाया को समायोजित करें

⚠ सावधान

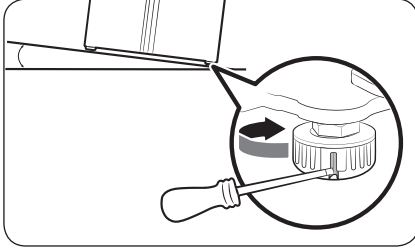
- रेफ्रिजरेटर को एक समतल, ठोस फ़र्श पर सही से रखा जाना चाहिए। ऐसा करने में असफल होने से रेफ्रिजरेटर क्षतिग्रस्त हो सकता है या शारीरिक चोट लग सकती है।
- समतलीकरण खाली रेफ्रिजरेटर के साथ करना चाहिए। सुनिश्चित करें कि कोई भी खाद्य पदार्थ रेफ्रिजरेटर के अंदर न हो।
- सुरक्षा कारणों से, सामने के हिस्से को पीछे के हिस्से के मुकाबले थोड़ा ऊपर रखें।

रेफ्रिजरेटर को सामने के लेग का उपयोग करके समतल किया जा सकता है जिसमें रेफ्रिजरेटर को समतल करने के लिए विशेष प्रकार के स्क्रू (लेवलर) दिए गए हैं। समतल करने के लिए फ्लैट-हेड पेंचकस का उपयोग करें।



फ़्रीजर वाली तरफ से ऊँचाई को समायोजित करने के लिए:

एक फ्लैटहेड स्क्रूड्राइवर फ़्रीजर की तरफ सामने वाले पैर के लेवलर में डालें। ऊपर उठाने के लिए लेवलर को घड़ी की सुई की दिशा में घुमाएँ, या नीचे करने के लिए घड़ी की सुई की विपरीत दिशा में घुमाएँ।



फ़्रिज की तरफ की ऊँचाई समायोजित करने के लिए:

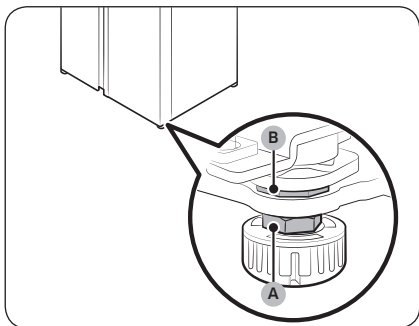
एक फ्लैटहेड स्क्रूड्राइवर फ़्रिज के सामने वाले पैर के लेवलर में डालें। ऊपर उठाने के लिए लेवलर को घड़ी की सुई की दिशा में घुमाएँ, या नीचे करने के लिए घड़ी की सुई की विपरीत दिशा में घुमाएँ।



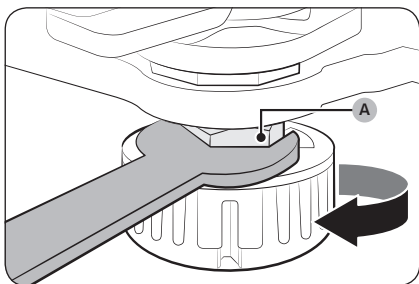
चरण 5 दरवाजे के अंतर के साथ-साथ दरवाजे की ऊंचाई समायोजित करें

दरवाजे की ऊंचाई समायोजित करना

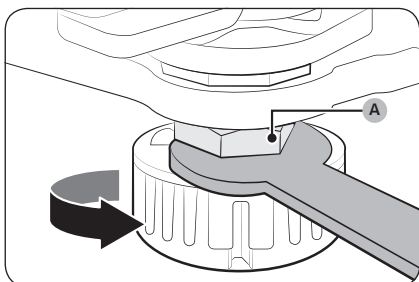
दरवाजे की ऊंचाई प्रत्येक दरवाजे के तल में क्लैप नट और ऊंचाई नट का उपयोग करके समायोजित की जा सकती है।



1. समायोजित करने के लिए दरवाजे को खोलें और दरवाजे के सामने की तरफ दो नट (A) और (B) का पता लगाएँ।



2. 19 mm स्पैन्ner (दिया गया) के साथ, क्लैप नट (A) को ढीला करने के लिए घड़ी की सुई की दिशा में घुमाएँ। फिर, दरवाजे को खोलें और दरवाजे के भीतर निम्न कार्य करें।
 - दरवाजे को उठाने के लिए, ऊंचाई नट (B) को घड़ी की विपरीत दिशा में घुमाएँ।
 - दरवाजे को नीचे करने के लिए, ऊंचाई नट (B) को घड़ी की दिशा में घुमाएँ।



3. पूर्ण हो जाने पर, क्लैप नट (A) घड़ी की विपरीत दिशा में घुमा कर इसे कस दें।

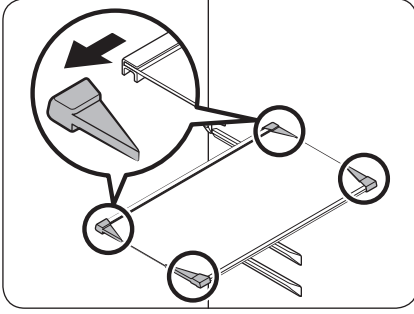


स्थापना

चरण 6 आरंभिक सेटिंग

निम्न चरणों को पूरा करने पर, रेफ्रिजरेटर पूरी तरह से संचालनीय हो जाना चाहिए।

1. रेफ्रिजरेटर को चालू करने के लिए बिजली के प्लग को दीवार पर लगे सॉकेट में लगाएँ।
2. दरवाज़ा खोलें, और देखें कि अंदरूनी लाइट जले हैं या नहीं।
3. तापमान को सबसे ठंडे तापमान पर सेट करें, और लगभग एक घंटे तक प्रतीक्षा करें। फिर, फ्रीज़र थोड़ा ठंडा हो जाएगा और मोटर आराम से चलने लगेगी।
4. रेफ्रिजरेटर के तय तापमान पर पहुँचने तक प्रतीक्षा करें। अब रेफ्रिजरेटर उपयोग के लिए तैयार है।



नोट

इससे पहले कि आप रेफ्रिजरेटर को इस्तेमाल करने से पहले सभी शेल्फ से प्लास्टिक की परत को याद से हटा लें।

चरण 7 अंतिम जाँच

स्थापना पूरी हो जाने पर, पुष्टि करें कि:

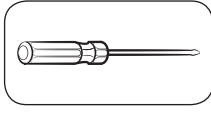
- रेफ्रिजरेटर का प्लग बिजली के आउटलेट में लगा हो और रेफ्रिजरेटर उचित ढंग से ग्राउंड किया गया हो।
- रेफ्रिजरेटर सपाट, समतल सतह पर स्थापित हो तथा दीवार या कैबिनेट से पर्याप्त दूरी पर हो।
- रेफ्रिजरेटर समतल हो और फर्श पर मज़बूती से स्थापित हो।
- दरवाज़ा बिना रोक टोक खुलता और बंद होता हो, दरवाज़ा खुलने पर अंदरूनी लाइट स्वचालित रूप से जल जाते हों।

अंदर ले जाने के लिए दरवाज़े निकालना

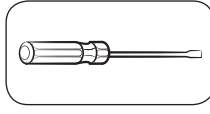
यदि रेफ्रिजरेटर अपने आकार के कारण घर के दरवाज़ों से अंदर नहीं आ पा रहा है, तो इन निर्देशों का पालन करें:

आवश्यक उपकरण (प्रदान नहीं किया गया)

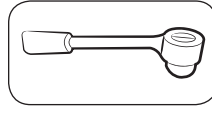
ये टूल दरवाज़े को निकालने के लिए उपयोग किए जाते हैं।



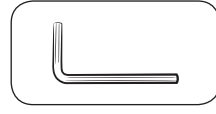
फ़िलिप्स पेंचकस



फ्लैट-हेड स्कूइज़र



सॉकेट स्पैनर (10 mm)

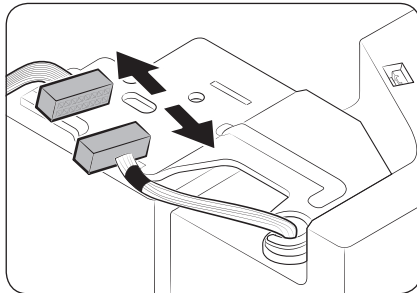
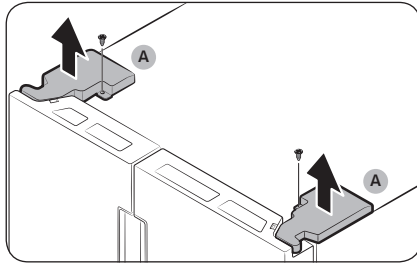


एलन स्पैनर (5 mm)

दरवाज़ों को अलग करें

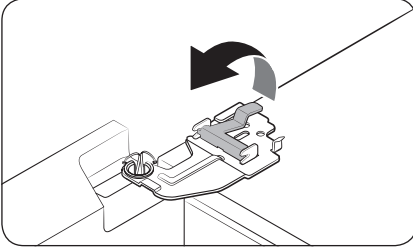
⚠ सावधान

दरवाजा इनमें से किसी चरण के दौरान गिर सकता है और स्वयं ही क्षतिग्रस्त हो सकता है। दुर्घटना से बचने के लिए, निम्न चरणों को कार्यान्वयित करते समय अत्यधिक सावधानी बरतें।



1. Phillips स्कूइज़र का उपयोग प्रत्येक दरवाजे के ऊपर मौजूद कब्जे के कवर (A) का स्कू खोलने के लिए करें।
2. कब्जे को ढीला करने के लिए दरवाजे खोलें और कब्जा कवर को निकालें। कवर के निकल जाने पर, दरवाजे बंद कर दें।
3. इलेक्ट्रिकल हार्नेस को डिस्कनेक्ट कर दें।

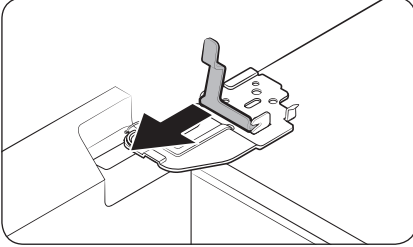
स्थापना



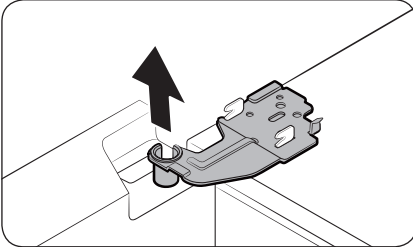
4. क्लैप को आराम से निकालें।

📌 नोट

क्लैप को क्षतिग्रस्त होने या घायल होने से बचने के लिए, क्लैप को ज़बरदस्ती न निकालें।



5. हटाने के लिए क्लैप को खींचें।



6. दरवाज़े को 90 डिग्री के बराबर खोलें। दरवाज़े को पकड़कर रखते समय और कब्जे को निकाल दें।

⚠ सावधान

अगर आप दरवाज़े को पकड़े बगैर कब्जे को निकालते हैं, तो दरवाज़ा गिर सकता है और कोई जख्मी हो सकता है।

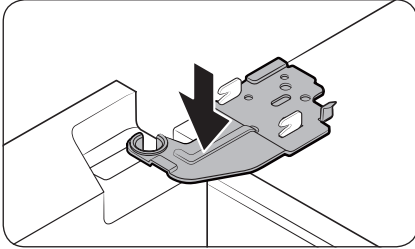
दरवाजों को फिर से लगाएँ

⚠ सावधान

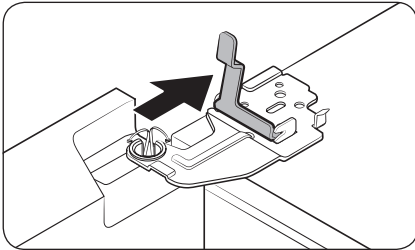
- दरवाजे को पुनः लगाने से पहले, सुनिश्चित करें कि सभी इलेक्ट्रिकल कनेक्टर ठीक प्रकार से लगे हों।
- फ्रिज के दरवाजे के पहले फ्रिजर का दरवाजा लगाया जाना चाहिए।
- दरवाजे को अलग करते समय ध्यान रखें कि यह आपके ऊपर न गिरे।
- ध्यान दें कि उसमें कोई खरोंच न आए।



1. फ्रिजर के दरवाजे को रोके रहें और रेफ्रिजरेटर के तल में कब्जे को हुक से लगाएँ।

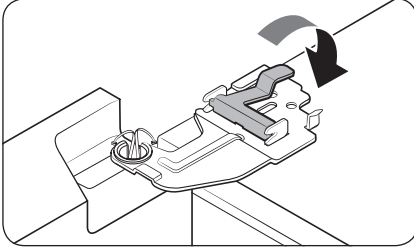


2. कब्जे को उसकी सही जगह पर लगाएं और फिर दरवाजे के छेद में डालें।

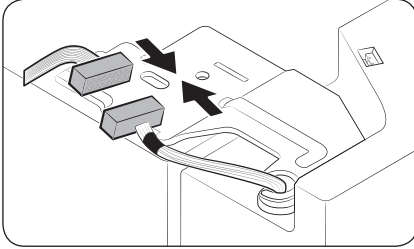


3. क्लैप को तीर की दिशा में डालें।

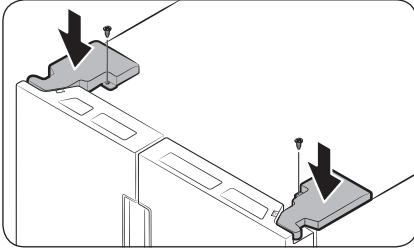
स्थापना



4. चित्र के अनुसार क्लैप को दबाएं।



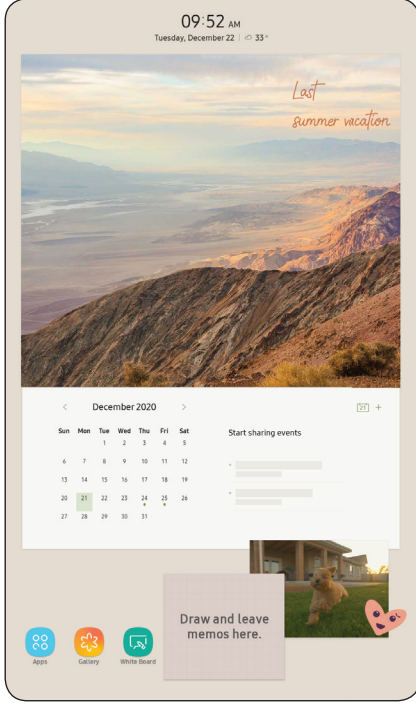
5. इलेक्ट्रिकल हार्नेस को कनेक्ट करें।



6. कब्जा कवर के सामने वाले हिस्से को पहले घुसाएँ और फिर स्कू को कस दें। इस चरण के लिए Phillips स्कूड्राइवर का उपयोग करें।

परिचालन

फैमिली हब होम स्क्रीन



- इच्छित ऐप या विजेट को लॉन्च करने के लिए उस पर टैप करें।
- होम स्क्रीन पर, आप ऐप्स, विजेट, पिकचर, वीडियो, ड्राइंग और टेक्स्ट जैसे आइटम जोड़ सकते हैं या हटा सकते हैं।
- संपादन मोड में जाने के लिए किसी आइटम को टैप करके रखें। संपादन मोड में, आप किसी आइटम को होम स्क्रीन पर किसी नई लोकेशन पर ड्रैग और ड्रॉप कर सकते हैं। जब आप आइटम को किसी नई लोकेशन पर ले जाते हैं, तो लोकेशन उपलब्ध न होने पर आइटम लाल हो जाता है।

परिचालन

सॉफ़्टवेयर बटन



01 Bixby

- Bixby का उपयोग करने के लिए टैप करें।

02 कार्य प्रबंधक

- कार्य प्रबंधक खोलने के लिए उस पर टैप करें।

03 होम

- होम खोलने के लिए उस पर टैप करें।

04 वापस जाएं

- पिछली स्क्रीन पर वापस जाने के लिए टैप करें।

05 नोटिफ़िकेशन

- त्वरित पैनल प्रदर्शित करने के लिए टैप करें।

06 छिपाएं/दिखाएं

- सॉफ़्ट बटनों को छिपाने या दिखाने के लिए टैप करें।
- छिपाएं/दिखाएं बटन केवल तभी प्रकट होते हैं जब ऐप सक्रिय रहता है।

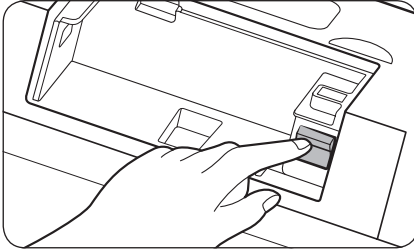
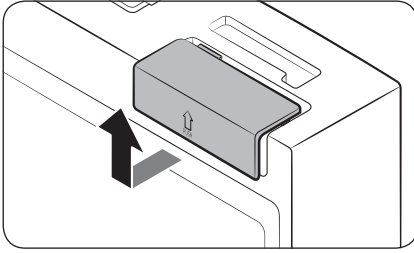
फ्रिज़ मैनेजर

होम स्क्रीन पर, **Fridge Manager** ऐप पर टैप करें।

- आप प्रत्येक कंपार्टमेंट के लिए वांछित तापमान या मोड सेट कर सकते हैं।
- Fridge Manager ऐप के बारे में अधिक विस्तृत जानकारी के लिए, ऑनलाइन मैनुअल देखें।
- अपने फ़ेमिली हब रेफ्रिजरेटर से ऑनलाइन मैनुअल एक्सेस करने के लिए, **Settings > Help & Contact Us > Online Manual** पर टैप करें।

डिस्प्ले रीसेट (केवल लागू मॉडल)

यदि आपको डिस्प्ले पर असामान्य प्रदर्शन दिखता है, तो डिस्प्ले को रीसेट करने का प्रयास करें। यह लक्षणों को ठीक कर सकता है।



1. फ्रिज का दायां दरवाजा खोलें और दरवाजे के ऊपरी दाएं कोने पर स्विच कवर ढूँढ़ें।
2. पावर स्विच प्रकट करने के लिए कवर को दबाएं।
3. स्विच बंद करें और इसे फिर से चालू करें।
4. जब तक आप एक क्लिक ध्वनि नहीं सुनते हैं तब तक स्विच कवर को डालें।

परिचालन

SmartThings

स्थापना

Google Play स्टोर, गैलेक्सी ऐप्स या Apple ऐप स्टोर पर जाएं और "SmartThings" खोजें। अपने स्मार्ट डिवाइस पर Samsung Electronics द्वारा प्रदान किए गए SmartThings ऐप को डाउनलोड करके स्थापित करें।

नोट

- SmartThings ऐप का सपोर्टिंग सॉफ्टवेयर संस्करण, निर्माता द्वारा उपलब्ध OS सपोर्टिंग नीति के अनुसार बदल सकता है। इसके अलावा, SmartThings ऐप या ऐप जिन फंक्शन को सपोर्ट करते हैं, उनके लिए मौजूदा OS संस्करण पर नई एप्लिकेशन अपडेट नीति उपयोगिता या सुरक्षा कारणों से निलंबित की जा सकती है।
- उपयोगिता या कार्यप्रदर्शन को बेहतर बनाने के लिए, SmartThings ऐप को बिना किसी सूचना के बदला जा सकता है। चूंकि मोबाइल फोन OS संस्करण हर साल अपडेट होते हैं, इसलिए SmartThings भी नवीनतम OS के अनुसार लगातार अपडेट होता रहता है। अगर आप ऊपर बताए गए आइटमों के बारे में कुछ पूछताछ करना चाहते हैं, तो कृपया st.service@samsung.com पर हमसे संपर्क करें
- अनुशंसित एन्क्रिप्शन सिस्टम में WPA/TKIP और WPA2/AES शामिल हैं। कोई भी नया या अमानकीकृत Wi-Fi (वाई-फ़ाई) प्रमाणीकरण प्रोटोकॉल समर्थित नहीं हैं।
- आसपास के वायरलेस संचार वातावरण से वायरलेस नेटवर्क प्रभावित हो सकते हैं।
- यदि आपके इंटरनेट सेवा प्रदाता ने पहचान के लिए आपके PC या मॉडेम का MAC पता पंजीकृत किया है, तो आपका Samsung Smart रेफ्रिजरेटर इंटरनेट से कनेक्ट करने में विफल हो सकता है। यदि ऐसा होता है, तो तकनीकी सहायता के लिए अपने इंटरनेट सेवा प्रदाता से संपर्क करें।
- आपके नेटवर्क सिस्टम की फ़ायरवॉल सेटिंग्स आपके Samsung Smart रेफ्रिजरेटर को इंटरनेट तक पहुंचने से रोक सकती है। तकनीकी सहायता के लिए अपने इंटरनेट सेवा प्रदाता से संपर्क करें। यदि यह समस्या जारी रहती है, तो स्थानीय Samsung सेवा केंद्र या खुदरा विक्रेता से संपर्क करें।
- वायरलेस एक्सेस पॉइंट (AP) सेटिंग्स को कॉन्फ़िगर करने के लिए, AP का उपयोगकर्ता मैनुअल देखें।
- Samsung Smart रेफ्रिजरेटर Wi-Fi 2.4 GHz के साथ IEEE 802.11 b/g/n और Soft-AP प्रोटोकॉल (IEEE 802.11 n की सिफारिश की जाती है) दोनों का समर्थन करता है।
- अनधिकृत Wi-Fi (वाई-फ़ाई) वायरलेस राउटर लागू Samsung Smart रेफ्रिजरेटर से कनेक्ट होने में विफल हो सकते हैं।



Samsung खाता

ऐप का उपयोग करने के लिए आपको अपने Samsung खाते को पंजीकृत करना होगा। यदि आपके पास Samsung खाता नहीं है, तो एक मुफ्त Samsung खाता बनाने के लिए ऐप पर आने वाले ऑनस्क्रीन निर्देशों का पालन करें।

शुरू करना

जिस डिवाइस को आप कनेक्ट करना चाहते हैं उसे चालू करें, अपने फ़ोन पर SmartThings ऐप खोलें, फिर नीचे दिए गए निर्देशों का पालन करें।

यदि एक नया डिवाइस मिला है बताने वाला कोई पॉप-अप आता है, तो **ADD NOW** टैप करें।

यदि कोई पॉप-अप प्रकट नहीं होता है, तो + बटन टैप करें, फिर आप उपलब्ध उपकरणों की सूची से उस डिवाइस का चयन करें जिसे कनेक्ट करना चाहते हैं।

यदि आपका डिवाइस उपलब्ध उपकरणों की सूची में नहीं है, तो **Supported Devices** पर टैप करें, डिवाइस प्रकार (रेफ्रिजरेटर) का चयन करें, और उसके बाद विशिष्ट डिवाइस मॉडल का चयन करें।

अपने डिवाइस को सेट अप करने के लिए ऐप में दिए गए निर्देशों का पालन करें। एक बार सेटअप पूरा हो जाने पर, आपका रेफ्रिजरेटर आपके **Devices** स्क्रीन पर "कार्ड" के रूप में दिखाई देगा।

रेफ्रिजरेटर ऐप

एकीकृत नियंत्रण

आप घर पर और काम के समय अपने रेफ्रिजरेटर की निगरानी और उसका नियंत्रण कर सकते हैं।

- SmartThings डैशबोर्ड पर रेफ्रिजरेटर आइकन टैप करें या डैशबोर्ड के निचले भाग में स्थित डिवाइस आइकन पर टैप करें और फिर रेफ्रिजरेटर पेज खोलने के लिए रेफ्रिजरेटर "कार्ड" टैप करें।
- संचालन की स्थिति या अपने रेफ्रिजरेटर से संबंधित नोटिफिकेश की जांच करें, और यदि आवश्यक हो तो विकल्प या सेटिंग्स बदलें।

नोट

हो सकता है कि रेफ्रिजरेटर के कुछ विकल्प या सेटिंग्स रिमोट कंट्रोल के लिए उपलब्ध नहीं हो।



परिचालन

श्रेणी	आइटम	विवरण
Monitoring	Fridge temperature	फ्रिज के वर्तमान तापमान सेटिंग को प्रदर्शित करता है।
	Freezer temperature	फ्रीजर के वर्तमान तापमान सेटिंग को प्रदर्शित करता है।
	Cool Select+ settings	Cool Select+ की सेटिंग्स प्रदर्शित करता है।
	Self Check	रेफ्रिजरेटर के असामान्य संचालन का पता लगाता है।
	Energy monitoring	पिछले 180 दिनों के लिए रेफ्रिजरेटर की संचित बिजली की खपत की जांच करता है।
Functions	Power Cool	आप पॉवर कूल चालू या बंद कर सकते हैं और वर्तमान सेटिंग्स की जांच कर सकते हैं।
	Power Freeze	आप पॉवर फ्रीज चालू या बंद कर सकते हैं, और वर्तमान सेटिंग्स की जांच कर सकते हैं।
Alarms	Abnormally high temperature	जब फ्रिज, फ्रीजर, या Cool Select+ (FlexZone) का असामान्य रूप से उच्च तापमान होता है, तो यह अलार्म बजता है।
	Door opening	यदि फ्रिज, फ्रीजर का दरवाजा, या Cool Select+ (FlexZone) का दरवाजा एक विशिष्ट समय के लिए खुला रहता है यह अलार्म ट्रिगर होता है।
Inside Image		आप रेफ्रिजरेटर के अंदर देख सकते हैं और यह भी देख सकते हैं कि आपको खाद्य पदार्थों को बदलने की जरूरत है या नहीं।



आवाज पहचान के लिए सिफारिशें

आवाज पहचान फंक्शन के लिए, रेफ्रिजरेटर के डिस्प्ले के ऊपरी भाग पर एक अंतर्निहित माइक्रोफोन है। आवाज पहचान फंक्शन का उपयोग करने के लिए

- रेफ्रिजरेटर से 3 फुट (1 मीटर) से अधिक दूर खड़े नहीं रहें और अंतर्निहित माइक्रोफोन की ओर जोर से और स्पष्ट रूप से बोलें।
- एक नियमित गति में बोलें। आस-पास के शोर को कम करें, जैसे कि बैठक कक्ष के टीवी का शोर।

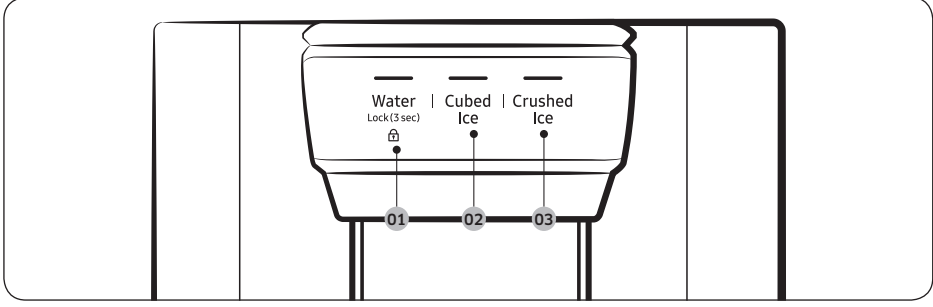
नोट

यदि आप 3 फुट 1 मीटर से अधिक दूर खड़े हैं या यदि आप बहुत धीरे से बोलते हैं तो ध्वनि पहचान फंक्शन काम नहीं कर सकता है।



परिचालन

डिस्पेंसर पैनल (केवल उपयुक्त मॉडल)



01 Water (वॉटर) / Lock (लॉक)

02 Cubed Ice (चौरस बर्फ)

03 Crushed Ice (कुचला बर्फ)

01 वॉटर / लॉक (3 सेकंड)

Water (वॉटर)	ठंडा वॉटर निकालने के लिए, Water (वॉटर) दबाएं। अनुकूल संकेतक चालू हो जाता है।
Lock (लॉक) (डिस्पेंसर पैनल / डिस्पेंसर लीवर)	डिस्पेंसर पैनल बटन और डिस्पेंसर लीवर के उपयोग से बचने के लिए, Water (वॉटर) को 3 सेकंड से अधिक समय तक दबाकर रखें। यदि आप दोबारा 3 सेकंड से अधिक समय तक बटन को दबाकर रखते हैं, तो डिस्पेंसर लॉक निष्क्रिय हो जाएगा। नोट डिस्पेंसर पैनल का Lock (लॉक) मुख्य पैनल पर नियंत्रण को प्रभावित नहीं करता है। मेन पैनल को लॉक करने के लिए, मेन पैनल पर मौजूद नियंत्रण लॉक फंक्शन का उपयोग करें।

02 चौरस बर्फ

Cubed Ice (चौरस बर्फ)	चौरस बर्फ निकालने के लिए Cubed Ice (चौरस बर्फ) दबाएँ। अनुकूल संकेतक चालू हो जाता है।
------------------------------	---

03 कुचले बर्फ

Crushed Ice (कुचला बर्फ)	कुचला बर्फ निकालने के लिए Crushed Ice (कुचला बर्फ) दबाएँ। अनुकूल संकेतक चालू हो जाता है।
---------------------------------	---

विशेष सुविधाएँ

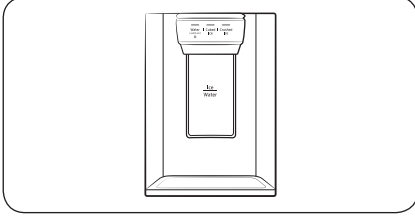
रेफ्रिजरेटर में उपयोगकर्ता-उन्मुख डिवाइस हैं जिनका आप लाभ उठा सकते हैं।

वॉटर/आइस डिस्पेंसर (केवल उपयुक्त मॉडल)

डिस्पेंसर का उपयोग करना, आप बर्फ सहित या बर्फ के बगैर पानी ले सकते हैं।

वॉटर डिस्पेंसर में 3 विकल्प होते हैं: ठंडा वॉटर, चौरस बर्फ और कुचले बर्फ। ठंडा **Water (वॉटर)** निकालने के लिए, डिस्पेंसर पैनल पर पानी दबाएं। वॉटर के गिलास को डिस्पेंसर के नीचे रखें और डिस्पेंसर लीवर को दबाएं।

बर्फ के साथ पानी लेने के लिए



1. आइस मेकर चालू होने के साथ, आइस प्रकार का चयन करने के लिए **Cubed Ice (चौरस बर्फ)** या **Crushed Ice (कुचला बर्फ)** दबाएं।
2. वॉटर के गिलास को डिस्पेंसर के नीचे रखें और फिर गिलास के साथ **डिस्पेंसर लीवर** को दबाएं। डिस्पेंसर से बर्फ निकलने लगेगा।
3. वॉटर का चयन करने के लिए **Water (वॉटर)** दबाएँ।
4. गिलास के साथ **डिस्पेंसर लीवर** को दबाएं। डिस्पेंसर से पानी निकलने लगेगा।

📌 नोट

- अगर आप डिस्पेंसर लीवर को लगभग 1 मिनट तक दबाए रखेंगे, तो डिस्पेंसर से वॉटर निकलना बंद हो जाएगा। और अधिक पानी प्राप्त करने के लिए, लीवर को छोड़ें और पुनः दबाएँ।
- सुनिश्चित करें कि गिलास डिस्पेंसर की सीध में हो, ताकि पानी बाहर न गिरे।
- यदि आप पानी के डिस्पेंसर को 2-3 दिनों के लिए प्रयोग नहीं करते हैं, तो इससे आने वाले पानी में अजीब सी महक या स्वाद हो सकता है। यह कोई सिस्टम की खराबी नहीं है। पहला 1-2 गिलास पानी फेंक दें।

परिचालन

आइस मेकर (केवल उपयुक्त मॉडल)

रेफ्रिजरेटर में बिल्ट-इन आइस मेकर की सुविधा है जो स्वतः ही बर्फ बनाकर दे देता है ताकि आप चौरस बर्फ या कुचले बर्फ के साथ फिल्टर किए हुए वॉटर का आनंद ले सकें।

बर्फ बनाना

रेफ्रिजरेटर को इंस्टॉल करके उसका प्लग लगाने के बाद, सही तरह से बर्फ बनाने और आइस बकेट को बर्फ से भरा रखने के लिए इन निर्देशों का पालन करें:

1. सबसे बेहतरीन परफॉर्मंस पाने के लिए रेफ्रिजरेटर को कम से कम 24 घंटे तक चलने दें।
2. पहले 4 से 6 बर्फ के क्यूब को ग्लास में जाने दें।
3. फिर अगले 8 घंटों तक इंतजार करें और अगले 4 से 6 बर्फ क्यूब निकालें।
4. फिर, अगले 16 घंटों तक इंतजार करें और बर्फ का पहला पूरा ग्लास भर लें।

नोट

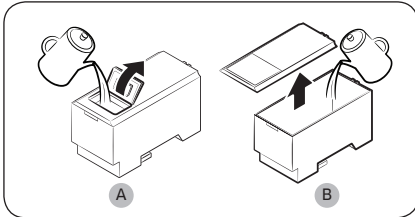
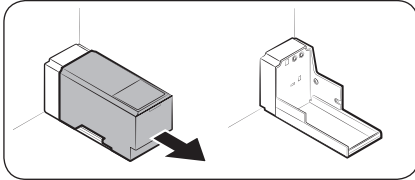
- यदि आप एक बार में सारी बर्फ उपयोग कर लेते हैं, तो आपको पहले 4 से 6 क्यूब निकालने से पहले 8 घंटों तक इंतजार करना होगा। इससे यह पक्का हो जाता है कि बर्फ बकेट बर्फ से ठीक ढंग से भरी हुई है।
- तेजी से बने आइस क्यूब्स सफेद दिख सकते हैं, जो सामान्य है।

सावधान

कप के आकर के हिसाब से बर्फ निकालें।

- यदि आप अधिक मात्रा में बर्फ निकालने की कोशिश करेंगे, तो ऐसे में बर्फ ज़मीन पर गिर सकते हैं और चोट भी लग सकती है।
- बर्फ एक जगह इकट्ठा हो सकता है और आइस शूट को ब्लॉक कर सकता है।

वॉटर टैंक को भरने के लिए (केवल उपयुक्त मॉडल)



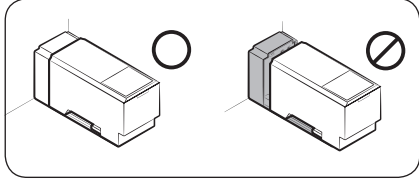
पहली बार उपयोग के लिए, पानी की टंकी अंदर से साफ करें और फिर अच्छी तरह सूखा दें।

1. टंकी के सामने तरफ दोनों दस्ता को पकड़ें, और सरका कर बाहर निकालें जैसे कि दिखाया गया है।

2. कवर का सामने का ढक्कन (A) या पूरा कवर (B) खोलें और टंकी में अधिकतम 5 लीटर वॉटर भरें।

सावधान

- अधिकतम लाइन से ज्यादा नहीं भरें। पानी भर कर बाहर निकलने लगता है।
- केवल पीने योग्य पानी ही भरें।



3. पानी की टंकी को अपने स्थान पर लगाएँ और डिस्पेंसर तंत्र को लगाएँ। सुनिश्चित करें कि टंकी का सामने का हिस्सा (सामने का ढक्कन समेत) सामने की तरफ सम्मुख हो।

⚠ सावधान

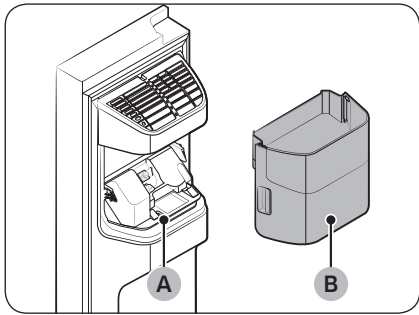
- सुनिश्चित करें कि पानी की टंकी शल्फ में फिट हो जाए। अन्यथा, पानी की टंकी संभवतः ठीक ढंग से काम नहीं करे।
- पानी की टंकी को लगाए बिना रेफ्रिजरेटर का प्रयोग न करें। इससे कूलिंग प्रदर्शन में कमी आ सकती है।
- पानी की टंकी को केवल पीने के पानी जैसे कि मिनरल वॉटर या शुद्धीकृत पानी से भरें। किसी अन्य द्रव्य का उपयोग नहीं करें।
- भरी हुई टंकी स्थानांतरित करते समय सावधानी बरतें। टंकी के गिरने पर शारीरिक चोट लग सकती है।
- आंतरिक पंप को स्वयं खोलने का प्रयास नहीं करें। यदि आंतरिक पंप क्षतिग्रस्त हो या पानी की टंकी से जुड़ा हुआ नहीं हो, तो डिस्पेंसर काम नहीं करता है।

प्रथम-उपयोग के लिए

- डिस्पेंसर लीवर को 10 सेकेंड तक दबाए रखें ताकि जल आपूर्ति प्रणाली के पाइप से हवा निकल जाए।
- जल आपूर्ति प्रणाली से अशुद्धियाँ हटाने के लिए पहला छह गिलास पानी फेंक दें।

बर्फ बनाना (केवल उपयुक्त मॉडल)

रेफ्रिजरेटर में बिल्ट-इन आइस मेकर हैं जो स्वतः ही बर्फ निकाल देता है ताकि आप अपनी प्राथमिकता अनुसार चौरस बर्फ या कुचला बर्फ के साथ फिल्टर किए हुए वॉटर का आनंद लें।



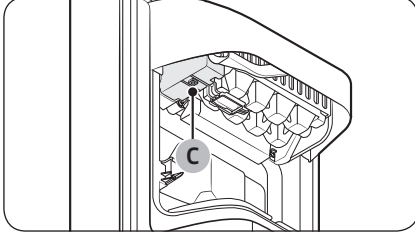
अगर बर्फ नहीं निकलता है, तो पहले आइस मेकर की जाँच करें कि क्या वह ठीक से बर्फ बना रहा है या नहीं।

आइस मेकर की जाँच करना

1. दोनों हाथों से आराम से **आइसमेकर बकेट (B)** पकड़ें और उसे **आइस शूट (A)** से निकालें।
2. जाँचें कि क्या आइसमेकर बकेट में उचित रूप से आइस है।



परिचालन



3. आइस मेकर के नीचे मौजूद बटन (C) को दबाएँ। बटन दबाने पर आपको एक झंकार (डिंग-डॉन्ग) सुनाई देगी।
4. अगर आइस मेकर उचित प्रकार से काम कर रहा तो आपको कोई दूसरा झंकार सुनाई पड़ेगा।

नोट

अगर यह लक्षण बना रहता है, तो वॉटर की लाइन इंस्टॉलर या लोकल Samsung सर्विस सेंटर से संपर्क करें।

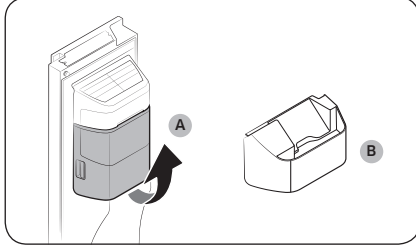
सावधान

- आइस ट्रे के बर्फ या वॉटर से भर जाने के बाद बटन को बार-बार न दबाएँ। वॉटर बाहर फैल सकता है या बर्फ जाम हो सकता है।
- जब रेफ्रिजरेटर बिजली चले जाने के बाद फिर से बिजली आपूर्ति वापस प्राप्त करता है, तो आइसमेकर बकेट में पिघली हुई या जाम चौरस बर्फ का मिश्रण हो सकता है, जिसके परिणामस्वरूप सिस्टम में खराबी आ जाती है। इसको रोकथाम के लिए, रेफ्रिजरेटर का उपयोग करने के पहले आइसमेकर बकेट को खाली करना सुनिश्चित करें।
- आइसमेकर बकेट को गिरने से रोकने के लिए, कृपया आइसमेकर बकेट को निकालते या फिर से डालते समय दोनों हाथों का उपयोग करें।
- बच्चों को आइस डिस्पेंसर या आइसमेकर बकेट पर लटकने या उससे खेलने न दें। बच्चों को चोट लग सकती है।
- डिस्पेंसर के छिद्र या बर्फ के शूट में उंगलियाँ या अन्य वस्तुएँ न डालें। ऐसा करने से शारीरिक चोट लग सकती है या संपत्ति की क्षति हो सकती है।

नोट

- जब आइस मेकर को 'चालू' पर सेट किया जाता है, तो तब भी रेफ्रिजरेटर बर्फ बनाता रहेगा जब आप बर्फ की बाल्टी हटा भी देते हैं।
- जब आप आइस मेकर का उपयोग नहीं कर रहे हों तो आइस मेकर को 'बंद' करके रखें।
- आइसमेकर बकेट को निकालने से रेफ्रिजरेटर के ऊष्मीय और यांत्रिक प्रदर्शन पर प्रभाव नहीं पड़ता है।
- आइस मेकर, ऊपरी दराज और निचले दराज को हटाने के बाद, स्पष्ट फ्रीजर वॉल्यूम को फ्रीजर गाइड और निचले शेल्फ से मापा जाता है।

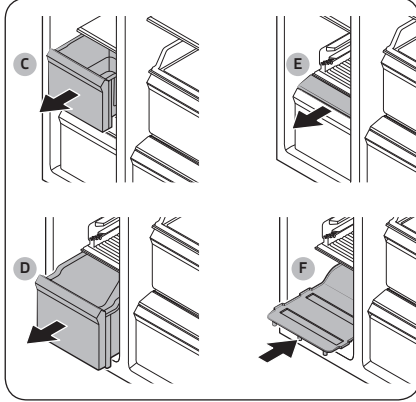
अधिक भंडारण स्थान सुरक्षित करना (केवल उपयुक्त मॉडल)



अगर आप आइस मेकर का उपयोग नहीं करते हैं और अधिक संग्रहण स्थान चाहिए, तो आइसमेकर बकेट (A) को निकाल दें। फिर, फ्रीजर गाइड (वैकल्पिक) (B) को आइस बकेट के स्थान पर लगा दें।

⚠ सावधान

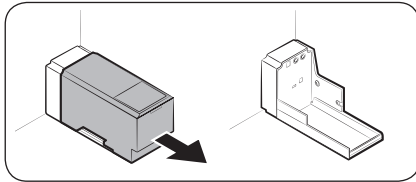
अगर आइसमेकर बकेट को हटा दिया गया है, तो आपको आइस मेकर को बंद कर देना चाहिए।



अधिक जगह बनाने के लिए, ऊपर की ड्रॉवर (C), नीचे की ड्रॉवर (D), और नीचे की ड्रॉवर के कवर (E) को हटाएं। फिर, सबसे निचले शेल्फ (F) को लगा दें।

📌 नोट

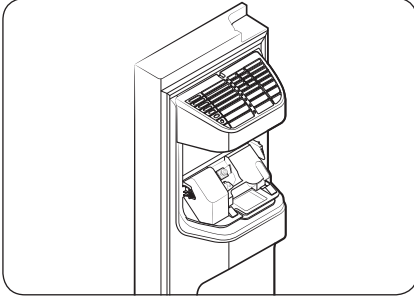
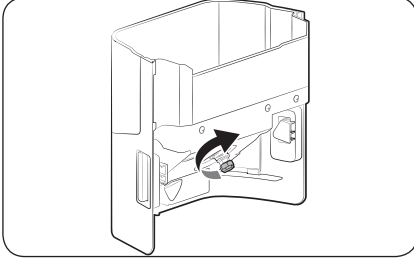
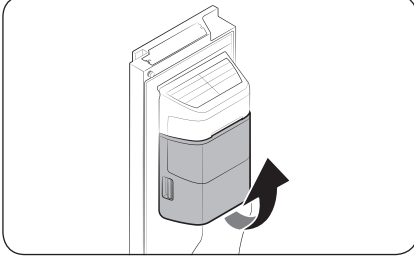
- ड्रॉवर को हटाने से तापमान या फ्रीजर की उपयोगिता पर कोई असर नहीं पड़ता है।
- घोषित फ्रीजर वॉल्यूम को नीचे की शेल्फ के साथ ऊपर की ड्रॉवर, नीचे की ड्रॉवर और नीचे की ड्रॉवर के कवर को हटाने के बाद मापा जाता है।



अधिक स्थान के लिए, वॉटर टैंक को हटा दें और इस जगह का उपयोग और भी सामान रखने के लिए करें।

परिचालन

आइस मेकर बकेट



अगर आप अधिक समय तक बर्फ को नहीं निकालते हैं, तो बकेट के अंदर बर्फ का पिंड बन सकता है। यदि ऐसा होता है, तो आइसमेकर बकेट को निकालें और खाली करें।

1. आइसमेकर बकेट निकालने के लिए, उसे आराम से ऊपर उठाएँ और दोनों हाथों से हैंडगिप पकड़े हुए उसे धीरे-धीरे बाहर खींचें।
2. आइसमेकर बकेट को निकालकर उसे खाली करें।
3. ऐसा कर लेने पर, बकेट के पिछले हिस्से पर लगे गियर के हैंडल को 90° घुमाएँ और फिर बकेट को वापस उसके स्थान पर डाल दें। जब तक क्लिक की आवाज़ सुनाई न दे तब तक बकेट को उचित तरीके से डालते रहें।

⚠ सावधान

- बकेट कवर पर अत्यधिक बल न लगाएँ। कवर टूट सकता है।
- दरवाजे को जोर से बंद न करें। वॉटर आइस मेकर पर फैल सकता है।
- चोट से बचने के लिए, फर्श पर पड़े हुए बर्फ या वॉटर को साफ करना सुनिश्चित करें।
- दुर्घटना या चोट से बचने के लिए, बच्चों को वॉटर डिस्पेंसर या आइस मेकर से खेलने नहीं दें।
- आइस शूट में अपना हाथ या कोई वस्तु न रखें। ऐसा करने से शारीरिक चोट लग सकती है या उत्पाद को क्षति हो सकती है।

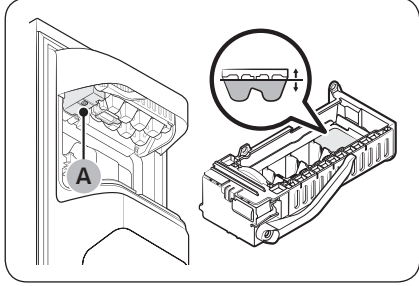
📌 नोट

- आइस मेकर से किसी भी प्रकार की आवाज सामान्य है, जो बर्फ बनाने की प्रक्रिया के दौरान आती है।
- दरवाजे के खुले रहने पर, न तो आइस मेकर और न ही वॉटर डिस्पेंसर संचालित होता है।



वॉटर का दबाव

अगर आप इसकी जाँच करना चाहते हैं कि आइस ट्रे में कितना वॉटर बह रहा है, तो इन चरणों का पालन करें।



1. आइस बकेट को निकालने के लिए।
2. आइस मेकर के नीचे मौजूद **बटन (A)** को दबाएँ। सामान्यतः, आइस ट्रे कुछ ही मिनटों में वॉटर से भर जाता है।
3. अगर पानी का स्तर अपेक्षा से कम हो, तो जल स्रोत से पानी आपूर्ति लाइन में पानी का दबाव जाँचें। यह कोई सिस्टम की खराबी नहीं है।

⚠ सावधान

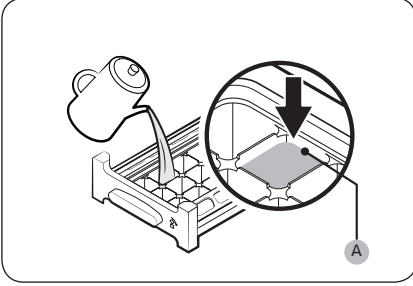
- जब ट्रे वॉटर से भर जाए तो आइस मेकर के नीचे वाले बटन को बार-बार न दबाएं। वॉटर बाहर फैल सकता है या बर्फ जाम हो सकता है।
- सुनिश्चित करें कि आइस मेकर बकेट ठीक ढंग से लगा हो। अन्यथा, आइस मेकर संचालित नहीं होगा।
- बिजली बंद होने पर आइस ट्रे को हटा दें। वॉटर बह सकता है।



परिचालन

बर्फ बनाना (केवल उपयुक्त मॉडल)

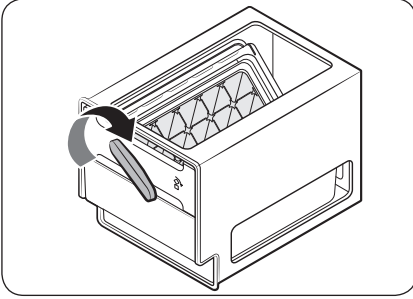
ट्विस्ट आइस मेकर



1. फ्रीजर का दरवाजा खोलें और आइस ट्रे को सरका कर खोलें।
2. ट्रे के पिछले अंदरूनी हिस्से में चिह्नित अधिकतम स्तर (A) तक ट्रे में पानी भर दें।
3. ट्रे को वापस उसके स्थान पर सरका दें।

नोट

बर्फ जमाने में लगने वाला समय आपकी तापमान सेटिंग पर निर्भर करता है।



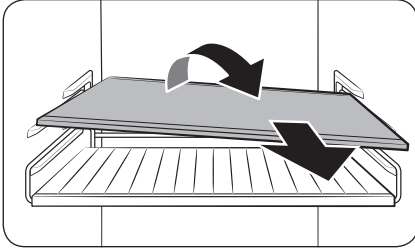
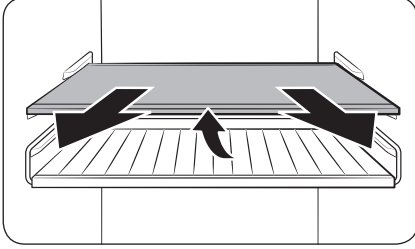
नोट

- सुनिश्चित करें कि आइस क्यूब संग्रहण डिब्बा आइस ट्रे के नीचे रखा गया हो।
- बर्फ के टुकड़े निकालने के लिए, डिब्बे के हैंडल को दाएँ मोड़ें ताकि लगभग आधे बर्फ के टुकड़े बाहर निकल आएँ। फिर, इसे बाएँ मोड़ें ताकि शेष भी बाहर निकल आए।
- डिब्बे को थोड़ा से मोड़ कर और सामने की तरफ बाहर खींच कर निकालें।

रखरखाव

प्रबंधन और देखभाल

शेल्फ़ (फ़्रिज/फ़्रीजर) / वाइन रैक (केवल प्रयोज्य मॉडलों में)



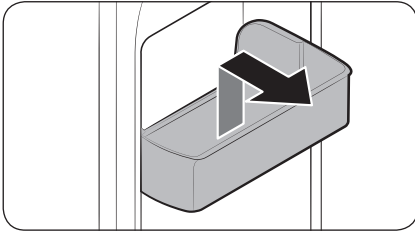
1. शेल्फ़ (वाइन रैक) को हल्का सा बाहर खींचें। फिर, पीछे के हिस्से को ऊपर उठाते हुए बाहर खींच लें।

2. निकालने के शेल्फ़ (वाइन रैक) को टेढ़ा करके घुमाएं।

⚠ सावधान

- शेल्फ़ सही ढंग से डाला जाना चाहिए। ऊपर भाग को उल्टा नहीं डालें।
- कांच के कंटेनर ग्लास शेल्फ़ की सतह को खरोंच सकते हैं।
- वाइन रैक की जगह शेल्फ़ को न लगाएं। इससे रेफ्रिजरेटर को नुकसान पहुँच सकता है। (केवल उपयुक्त मॉडल)

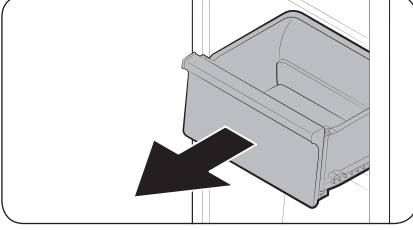
डोर बिन



किसी डोर बिन को हटाने के लिए, बिन को आगे की तरफ से पकड़ें और निकालने के लिए आराम से उसे ऊपर उठाएँ।

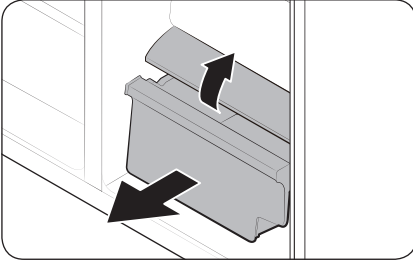
रखरखाव

दराज



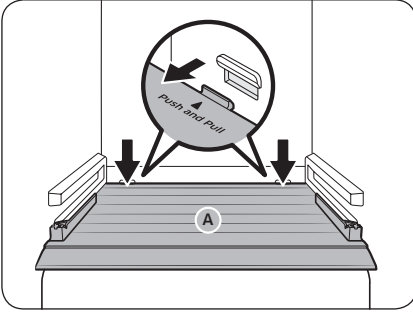
ड्रॉअर को सामने से आराम से उठाएँ और बाहर की ओर स्लाइड करें।

सब्ज़ी / सूखे खाद्य पदार्थ और मीट स्टोरेज ड्रॉअर



फ्रिज़ से सब्ज़ी का पात्र या फ्रीजर से सूखा पात्र निकालने के लिए।

1. पहले, अगर जरूरी हो तो आस-पास के मल्टीपर्पस ड्रॉअर को निकालें।



2. अगर आपके रेफ्रिजरेटर में वेजिटेबल या ड्राई ड्रॉअर के लिए कवर (A) है, तो इसे निम्नलिखित तरीके से हटाएं।

- ड्रॉअर को आधा बाहर निकालें।
- पीछे के किनारों को दबाते हुए कवर को खींचें (जैसा कि चित्र में दिखाया गया है)।

3. सावधानीपूर्वक वेजिटेबल या ड्राई ड्रॉअर को बाहर निकालें।

आइस मेकर बकेट

आइस मेकर बकेट को निकालने के लिए, 56 पेज पर खंड आइस मेकर बकेट देखें।

सफ़ाई

आंतरिक और बाहरी

⚠ चेतावनी

- सफ़ाई के लिए बेन्ज़ीन, थिनर, या होम/कार डिटर्जेंट जैसे कि Clorox™ का उपयोग नहीं करें। वे रेफ्रिजरेटर की सतह को क्षति पहुँचा सकते हैं और आग लगा सकते हैं।
- रेफ्रिजरेटर पर पानी का छिड़काव न करें। इसके कारण बिजली का झटका लग सकता है।
- डिस्पेंसर के छिद्र में उंगलियाँ या अन्य वस्तुएँ न डालें।

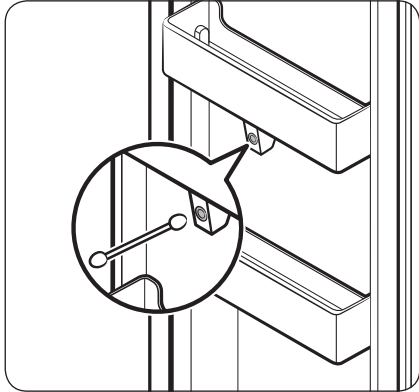
⚠ सावधान

- LCD डिस्प्ले पर सीधे पानी स्प्रे न करें। इससे आग, बिजली का झटका, या नुकसान हो सकता है।
- LCD डिस्प्ले या स्पीकर को खरोंचे नहीं। इससे स्थायी नुकसान हो सकता है।

पावर प्लग टर्मिनलों और संपर्क बिंदुओं से धूल या पानी जैसे सभी बाहरी पदार्थों को हटाने के लिए नियमित रूप से सूखे कपड़े का उपयोग करें।

1. पाँवर कॉर्ड अनप्लग करें।
2. रेफ्रिजरेटर की आंतरिक और बाहरी सतह को साफ़ करने के लिए एक गीले मुलायम, लिंट-फ्री कपड़े या पेपर टॉवल का प्रयोग करें।
3. सफ़ाई पूरा हो जाने पर, अच्छी तरह से सूखाने के लिए सूखे कपड़े या पेपर टॉवल का उपयोग करें।
4. पाँवर कॉर्ड प्लग इन करें।

आंतरिक दृश्य कैमरा



📌 नोट

फ्रिज़ के बाएँ तरफ के कैमरे को साफ़ करने के लिए एक सूती पट्टी या माइक्रोफ़ाइबर कपड़े का प्रयोग करें।

रखरखाव

आइस / वॉटर डिस्पेंसर (केवल उपयुक्त मॉडल)

🗨 नोट

स्वच्छ उद्देश्यों के लिए, डिस्पेंसर क्षेत्र को लगातार साफ करें।

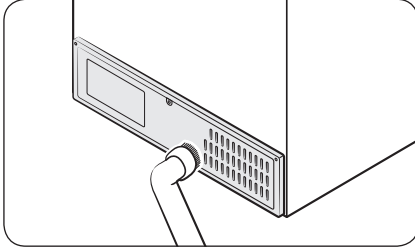
⚠ सावधान

जब कुचला बर्फ का चयन किया जाता है, तो कुछ बचे हुए बर्फ के चिप्स बर्फ की ढलान में एकत्र हो सकते हैं। इससे बचने के लिए, एक मुलायम, साफ कपड़े का उपयोग करके ढलान से बची हुई बर्फ को हटा दें।

रबर सील

यदि किसी दरवाजे की रबर सील गंदी हो जाती है, तो दरवाजा ठीक से बंद नहीं हो पाता है और रेफ्रिजरेटर की प्रदर्शन और कार्यक्षमता कम हो जाती है। रबर सील को साफ करने के लिए हल्के डिटर्जेंट और नम कपड़े का उपयोग करें। फिर, एक कपड़े से पोंछकर अच्छी तरह सूखा लें।

पीछे का पैनल



पीछे के पैनल के कोईस और उजागर हिस्सों पर गंदगी जमने से रोकने के लिए, साल में एक या दो बार पैनल को वैक्यूम करें।

⚠ सावधान

पीछे के पैनल कवर को नहीं निकालें। बिजली का झटका लग सकता है।

प्रतिस्थापन

लैंप

लैंप उपयोगकर्ता द्वारा मरम्मत योग्य नहीं होते हैं। रेफ्रिजरेटर के लैंप को बदलने के लिए, स्थानीय Samsung सर्विस सेंटर से संपर्क करें।

समस्या-निवारण

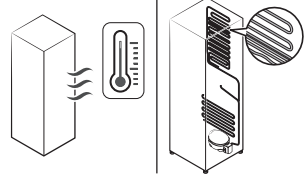
सर्विस के लिए कॉल करने के पहले, नीचे दी गई मुख्य बातों की समीक्षा कर लें। सामान्य परिस्थितियों (कोई खराबी वाले मामले नहीं) के संबंध में किए गए सर्विस कॉल के लिए उपयोगकर्ताओं से शुल्क लिया जाएगा।

सामान्य

तापमान

लक्षण	संभावित कारण	उपाय
फ्रिज/फ्रीजर संचालित नहीं होता है। फ्रिज/फ्रीजर का तापमान गर्म है।	• बिजली का तार ठीक से नहीं लगा है।	• बिजली के तार ठीक से लगाएँ।
	• तापमान नियंत्रण सही ढंग से सेट नहीं है।	• तापमान कम पर सेट करें।
	• रेफ्रिजरेटर एक गर्मी प्रदान करने वाले स्रोत या सीधे सूर्य की रोशनी के पास स्थित है।	• रेफ्रिजरेटर को सीधे सूर्य की रोशनी या गर्मी प्रदान करने वाले स्रोत से दूर रखें।
	• रेफ्रिजरेटर और आस-पास की दीवारों या अलमारियों के बीच पर्याप्त दूरी नहीं है।	• हम अनुशंसा करते हैं कि रेफ्रिजरेटर और आस-पास की दीवारों (या अलमारियाँ) के बीच की दूरी 50 मिमी से अधिक है।
	• रेफ्रिजरेटर ओवरलोड है। खाने की चीज़ें रेफ्रिजरेटर के छेदों को अवरुद्ध कर रही हैं।	• रेफ्रिजरेटर को ओवरलोड नहीं करें। खाने की चीज़ों से वेंटिलेशन को अवरुद्ध न होने दें।
फ्रिज/फ्रीजर अधिक ठंडा कर रहा है।	• तापमान नियंत्रण सही ढंग से सेट नहीं है।	• तापमान को उच्च पर सेट करें।

समस्या-निवारण

लक्षण	संभावित कारण	उपाय
आंतरिक दीवार गर्म है।	<ul style="list-style-type: none"> रेफ्रिजरेटर की आंतरिक दीवार में गर्मी-पूफ पाइपिंग है। 	<ul style="list-style-type: none"> कंडेनसेशन को बनने से रोकने के लिए, रेफ्रिजरेटर के सामने कोनों में गर्मी-पूफ पाइपिंग होती है। यदि परिवेश का तापमान बढ़ता है, तो यह उपकरण प्रभावी ढंग से काम नहीं कर पाता है। यह कोई सिस्टम की खराबी नहीं है। 

गंध

लक्षण	संभावित कारण	उपाय
रेफ्रिजरेटर से गंध आ रही है।	<ul style="list-style-type: none"> खराब खाना। 	<ul style="list-style-type: none"> रेफ्रिजरेटर को साफ करें और किसी भी खराब भोजन को हटा दें।
	<ul style="list-style-type: none"> तेज गंध वाले खाद्य पदार्थ। 	<ul style="list-style-type: none"> सुनिश्चित करें कि तेज सुगंधित भोजन को एयरटाइट से लपेटा गया है।

बर्फ जमना

लक्षण	संभावित कारण	उपाय
छेदों के चारों ओर बर्फ जम गई।	<ul style="list-style-type: none"> खाने की चीज़ें छेदों को अवरूद्ध कर रही हैं। 	<ul style="list-style-type: none"> सुनिश्चित करें कि रेफ्रिजरेटर छेदों को कोई खाने की चीज़ें अवरूद्ध नहीं करती हो।
आंतरिक दीवारों पर बर्फ जमना।	<ul style="list-style-type: none"> दरवाजा ठीक से बंद नहीं है। 	<ul style="list-style-type: none"> सुनिश्चित करें कि खाने की चीज़ों से दरवाजा अवरूद्ध नहीं हो रहा है। दरवाजा गैसकेट साफ करें।



कंडेनसेशन

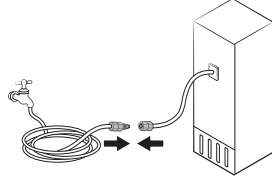
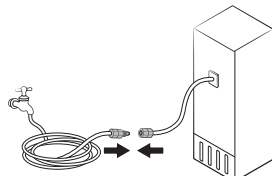
लक्षण	संभावित कारण	उपाय
आंतरिक दीवारों पर कंडेनसेशन बन रहा है।	• यदि दरवाजा खुला रहता है, तो नमी रेफ्रिजरेटर में प्रवेश करती है।	• नमी निकालें और लंबे समय के लिए एक दरवाजा खुला न छोड़ें।
	• अधिक नमी सामग्री वाला भोजन।	• सुनिश्चित करें कि भोजन एयरटाइट से लपेटा गया है।

वाँटर/बर्फ (केवल डिस्पेंसर मॉडल)

लक्षण	संभावित कारण	उपाय
वाँटर फ़्लो सामान्य से कम है।	• वाँटर का दबाव बहुत कम है।	• सुनिश्चित करें कि वाँटर का दबाव 30 से 125 psi के बीच है।
आइस मेकर एक बज़िंग की ध्वनि करता है।	• आइस मेकर फंक्शन सक्रिय किया गया है, लेकिन रेफ्रिजरेटर को वाँटर की आपूर्ति से जोड़ा नहीं गया है।	• आइस मेकर को बंद करें।
आइस मेकर बर्फ नहीं बनाता है।	• आइस मेकर अभी-अभी इंस्टॉल किया गया है।	• रेफ्रिजरेटर में बर्फ बनाने के लिए आपको 12 घंटे का इंतजार करना होगा।
	• फ्रीजर का तापमान बहुत अधिक है।	• गर्म, परिवेशी हवा में फ्रीजर का तापमान -18 °C या -20 °C से कम पर सेट करें।
	• डिस्पेंसर पैनल लॉक सक्रिय है।	• डिस्पेंसर पैनल लॉक निष्क्रिय करें।
	• आइस मेकर बंद है।	• आइस मेकर चालू करें।



समस्या-निवारण

लक्षण	संभावित कारण	उपाय
बर्फ नहीं निकलती है।	<ul style="list-style-type: none"> यदि बर्फ डिस्पेंसर लंबे समय तक (लगभग 3 सप्ताह) उपयोग नहीं किया जाता है, तो बर्फ जम सकती है। 	<ul style="list-style-type: none"> यदि आप लंबे समय तक रेफ्रिजरेटर का उपयोग नहीं करने वाले हैं, तो बर्फ बकेट खाली करें और आइस मेकर को बंद कर दें।
	<ul style="list-style-type: none"> बर्फ बकेट ठीक से लगाई नहीं गई है। 	<ul style="list-style-type: none"> सुनिश्चित करें कि बर्फ बकेट ठीक से लगाई गई है।
बर्फ नहीं निकलती है।	<ul style="list-style-type: none"> वाटर लाइन ठीक से जुड़ी नहीं है या वाटर सप्लाई चालू नहीं है। 	<ul style="list-style-type: none"> जांचें कि क्या वाटर लाइन सही ढंग से स्थापित है। जांचें कि क्या वाटर लाइन की टॉटी बंद है। 
	<ul style="list-style-type: none"> वाटर लाइन ठीक से जुड़ी नहीं है या वाटर सप्लाई चालू नहीं है। 	<ul style="list-style-type: none"> जांचें कि क्या वाटर लाइन सही ढंग से स्थापित है। जांचें कि क्या वाटर लाइन की टॉटी बंद है। 
वाटर नहीं निकलता है।	<ul style="list-style-type: none"> डिस्पेंसर पैनल लॉक सक्रिय है। 	<ul style="list-style-type: none"> डिस्पेंसर पैनल लॉक निष्क्रिय करें।
	<ul style="list-style-type: none"> एक तृतीय पक्ष का पानी का फिल्टर स्थापित किया गया था। 	<ul style="list-style-type: none"> केवल Samsung द्वारा प्रदत्त या स्वीकृत फिल्टर का उपयोग करें। अस्वीकृत फिल्टर से रेफ्रिजरेटर में रिसाव हो सकता है और उसे क्षति पहुँच सकती है।

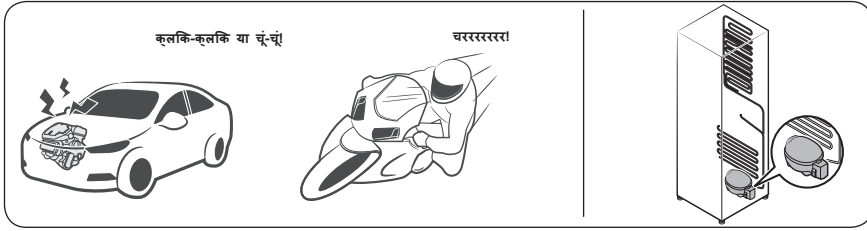


क्या आपको रेफ्रिजरेटर से असामान्य आवाज़ें सुनाई देती हैं?

सर्विस के लिए कॉल करने के पहले, नीचे दी गई मुख्य बातों की समीक्षा कर लें। सामान्य आवाज़ों से संबंधित किसी भी सर्विस कॉल के लिए उपयोगकर्ता से शुल्क लिया जाएगा।

ये आवाज़ें सामान्य होती हैं।

- संचालन आरंभ या समाप्त करने पर, रेफ्रिजरेटर कार का इंजन चालू होने जैसी आवाज़ें निकाल सकता है। संचालन के स्थिर हो जाने पर, आवाज़ कम हो जाएगी।



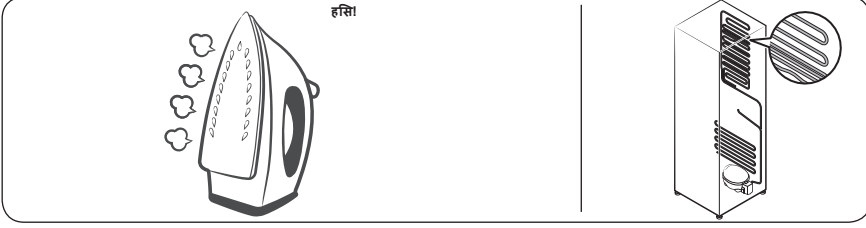
- पंखा चलने के दौरान, ये आवाज़ें आ सकती हैं। जब रेफ्रिजरेटर निर्धारित तापमान पर पहुँच जाता है, तो पंखे की आवाज़ नहीं आएगी।



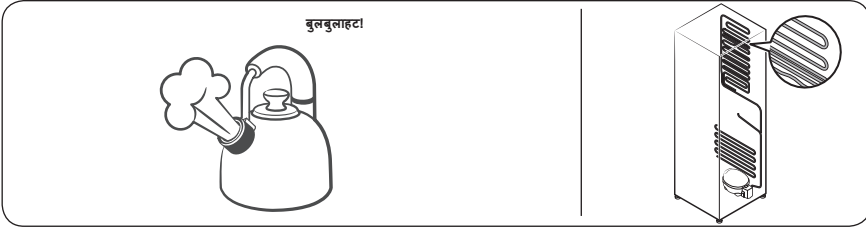
- डिफ्रॉस्ट चक्र के दौरान, डिफ्रॉस्टहिमीकरण हीटर पर पानी टपक सकता है, जिसके कारण चटाके की आवाज़ आ सकती है।



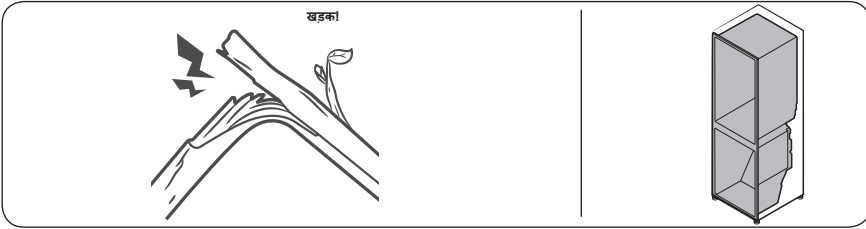
समस्या-निवारण



- जैसे-जैसे रेफ्रिजरेटर ठंडा करता है या जमाता है, रेफ्रिजरेट गैस सील हुए पाइपों से गुजरती है, जिससे बुलबुले जैसी आवाज़ें आती हैं।



- जैसे-जैसे रेफ्रिजरेटर का तापमान बढ़ता या घटता है, प्लास्टिक वाले हिस्से सिकुड़ते और बढ़ते हैं, जिससे खटखटाने जैसी आवाज़ें आती हैं। ये आवाज़ें डिफ्रॉस्टिंग चक्र के दौरान या इलेक्ट्रॉनिक पुर्जों के काम करते समय आती हैं।



- आइस मेकर वाले मॉडलों के लिए: जब आइस मेकर को भरने के लिए पानी का वॉल्व खुलता है, तो भिनभिनाने की आवाज़ें आ सकती हैं।
- रेफ्रिजरेटर का दरवाजा खुलने और बंद होने पर दबाव के बराबर होने के कारण, सरसराहट की आवाज़ें आ सकती हैं।

SmartThings

लक्षण	कार्य
ऐप मार्केट में "SmartThings" नहीं मिला।	<ul style="list-style-type: none"> SmartThings ऐप Android 8.0 या बाद के संस्करण, iOS 12.0 या बाद के संस्करण, iPhone 6 या बाद के संस्करण के लिए डिज़ाइन किया गया है और Samsung स्मार्टफोन (Galaxy S और Galaxy Note सीरीज़) के लिए अनुकूलित है।
SmartThings ऐप संचालित होने में विफल रहता है।	<ul style="list-style-type: none"> SmartThings ऐप केवल लागू मॉडल के लिए उपलब्ध है। पुराना Samsung Smart रेफ्रिजरेटर ऐप Samsung Smart Home मॉडल से कनेक्ट नहीं हो सकता है।
SmartThings ऐप स्थापित है लेकिन मेरे रेफ्रिजरेटर से कनेक्ट नहीं है।	<ul style="list-style-type: none"> ऐप का उपयोग करने के लिए आपको अपने Samsung खाते में लॉग इन करना होगा। सुनिश्चित करें कि आपका राउटर सामान्य रूप से चल रहा है। यदि आपने ऐप स्थापित करने के बाद अपने रेफ्रिजरेटर को SmartThings ऐप से कनेक्ट नहीं किया है, तो आपको ऐप के डिवाइस पंजीकरण फ़ंक्शन का उपयोग करके कनेक्शन बनाना होगा।
ऐप में लॉग इन नहीं कर सके।	<ul style="list-style-type: none"> ऐप का उपयोग करने के लिए आपको अपने Samsung खाते में लॉग इन करना होगा। यदि आपके पास Samsung खाता नहीं है, तो एक खाता बनाने के लिए ऐप पर आने वाले ऑनस्क्रीन निर्देशों का पालन करें।
जब मैं अपने रेफ्रिजरेटर को पंजीकृत करने का प्रयास करता हूँ तो एक त्रुटि संदेश प्रकट होता है।	<ul style="list-style-type: none"> आसान कनेक्शन आपके एक्सेस पॉइंट (एपी) से दूर होने या आसपास के परिवेश से विद्युत हस्तक्षेप के कारण विफल हो सकता है। थोड़ी देर प्रतीक्षा करें और पुनः प्रयास करें।
SmartThings ऐप सफलतापूर्वक मेरे रेफ्रिजरेटर से कनेक्ट है लेकिन चल नहीं रहा है।	<ul style="list-style-type: none"> SmartThings ऐप से बाहर निकलें और पुनरारंभ करें या राउटर को डिस्कनेक्ट करें और पुनः कनेक्ट करें। रेफ्रिजरेटर का बिजली का तार निकालें, और फिर इसे 1 मिनट के बाद फिर से लगाएँ।

समस्या-निवारण

LCD

लक्षण	कार्य
मेरे TV से कनेक्ट नहीं हो सकता है।	<ul style="list-style-type: none">यह रेफ्रिजरेटर Samsung Smart TV 6400 सीरिज या 2015 के बाद से जारी किए गए उच्च मॉडल से कनेक्ट हो सकता है। कृपया पहले अपने TV के मॉडल का नाम देखें।नेटवर्क कनेक्शन में अस्थायी बाधाएँ आ सकती हैं। अपना TV बंद करें और फिर पुनः प्रयास करें।
आंतरिक दृश्य चित्र बाहर की ओर ऊभरा हुआ या अपूर्ण दिखता है।	<ul style="list-style-type: none">आंतरिक दृश्य के किनारे बाहर की ओर ऊभरे हुए दिख सकते हैं। उभारा हुआ होना कैमरे के उत्तल लेंस के कारण होता है।बाएं और दाएं कोनों पर अंधेरे धब्बे के कारण आंतरिक दृश्य अपूर्ण हो सकता है या खाद्य वस्तुओं के आकार के कारण टंक सकता है। सामने मध्य भाग में खाद्य वस्तुओं को रखना सुनिश्चित करें।
फ्रिज़ मैनेजर पर प्रदर्शित माप सही नहीं है।	<ul style="list-style-type: none">प्रदर्शित स्थितियां वास्तविक तापमान और आर्द्रता के कारण भिन्न हो सकती हैं।

SAMSUNG

Helpline - Call : 1800 40 SAMSUNG (7267864) / 1800 5 SAMSUNG (7267864)



This warranty card gives the key points related to warranty claim. for further details log on to www.samsung.com/in/support.

Warranty Card

*TERMS & CONDITIONS

1. Proof of purchase is a pre-requisite to claim warranty.
2. The product should have been purchased from an authorised Samsung Sales Dealer in India.
3. Warranty can be claimed only if the repair was carried out by the Samsung authorised service center.
4. Carry-in service or In-Home service applicability depends on the product category and Samsung policy.
5. Free installation or demo of the product, if applicable, can be availed only once and within 6month from the date of purchase. In case of installation, any additional material required over and above the standard installation kit shall be on the chargeable basis.
6. In case of defective accessory, only the accessory will be repaired or replaced.
7. Cosmetic/ Aesthetic / Plastic / Glass Parts /Bulbs / Cable /Wiring / Piping/ Consumables are not covered under warranty.
8. The defective parts/ products which were replaced by Samsung under this warranty shall be the property of Samsung.
9. While carrying out repair, Samsung may use accessories or parts that are new or refurbished or reconditioned.
10. Samsung shall not be liable for any losses or consequential losses due to product failure or the installed software.
11. Samsung shall be free to decide on whether or not to provide a software update for its products.
12. Samsung shall not be responsible for any loss or misuse of data, personal information, setting, third party software during product usage or repair or software update.
13. Samsung shall not be liable for any loss, cost, expense, inconvenience or damage that may result from use inability to use the product. Under no circumstances shall Samsung be liable for any loss, cost, expense, inconvenience or damage exceeding the purchase price of the product.
14. Defects caused by customer negligence, tampering shall void the product warranty.
15. Any extended/addition warranty offered by Samsung has to be supported by relevant proofs.
16. Usage of power stabilizers of proper rating is necessary unless explicitly mentioned by Samsung on product literature/instruction booklet.
17. In case of defect arising out of installation done by party other than Samsung authorised party, the limited warranty will be applicable as per revised T&C as Samsung shall deem fit.
18. Regular upkeep, maintenance and cleaning of parts are necessary in certain products. Such periodic maintenance shall be on chargeable basis unless otherwise provided and not covered under warranty.
19. In the event of any unforeseen circumstances, and spares not being available Samsung's prevailing depreciation rules will be binding on the purchaser and same shall be considered as a commercial solution in lieu of repairs.
20. Defects arising out of the following are not covered under warranty like Mishandling/Misuse, Improper ventilation, Improper voltage, Use of external material, Normal wear and tear, Physical damage and / or electrical damage caused by physical impact.
21. Complaints related to playability, printability, compatibility with external accessories, software, file systems, third party applications, CODEs, signals, Networks& ISP bandwidth shall not be considered as defect in product and not covered under warranty.
22. This warranty covers only the defects in products arising out of manufacturing or faulty workmanship.
23. This warranty covers repair/replacement of parts.
24. Warranty period of parts & accessories may vary from product to product.
25. Maximum liability out of this warranty is limited to the product purchase value/MRP.
26. No warranty on certain parts/conditions/types of product failures.
27. Under certain conditions where warranty obligations cannot be met, depreciation will be applicable on the existing product.

CUSTOMER DETAILS CUM WARRANTY CARD

Model No: _____ Customer copy (to be retained by customer): _____
Product Serial No: _____ Date of Purchase: _____
Name: _____
Address in Full: _____
Telephone No.: _____ Model No: _____
Dealer Name & Address : _____

Customer's Signature & Date
(I accept the Terms & Conditions of warranty)

Dealer's Signature with rubber stamp



The Warranty shall be null and void in any of the following cases, and in such cases Samsung may at its sole discretion repair the equipment on a chargeable basis. The decision of Samsung, whether a complaint falls in any of these categories or not shall be binding on the Purchaser.

- The duly filled warranty card/proof of purchase is not presented to the service engineer at the time of repairs being undertaken / requested.
- The original serial number of the product is removed, altered or obliterated from the product.
- The product purchased is not used as per the rated power conditions or instructions mentioned in the INSTRUCTION MANUAL.
- The product is being used for commercial purpose OR if the product has been used excessively and beyond reasonable usage as permitted within the product instruction manual.
- Site (premises where the product is used/ kept) conditions that do not conform to the recommended operations of the product.
- Defects caused due to exposure to moisture/dampness/extreme thermal or environmental conditions or rapid changes in such of conditions/corrosions/oxidations/spilling of food/liquid/influence of Chemical substances.
- Defects due to causes beyond control like lightning, abnormal voltage, spikes, external sources (ex: cable/set top box connections), fire, water logging, natural calamities, commotion, riots, theft, anti-social action, acts of God or while in transit.
- Defects caused by household pets, rats, cockroaches, ants, pests, fungi or any other animal/birds/insects.
- Defects caused due to negligence/omission of the Purchaser on account of periodic maintenance(s)/periodic servicing as mentioned in the instruction manual of the product.
- Defects caused due to usage of third party material/non Samsung Authorized Consumables.
- Any modifications, including but not limited to, rooting attempts, reverse engineering, unlocking, jail-breaking etc. of the original firmware(s) or software(s) of the product.
- Repair due to misuse/third party repair attempts are not covered in warranty.
- Warranty does not cover repair due to external factors/mediums/data types.
- Warranty shall apply only if the product is used as per its usage specifications (ex: personal, commercial etc.)
- Warranty shall be void if product has failed under certain conditions/types (ex: water logging, misuse, etc.)

All disputes arising out of this warranty are subject to Delhi jurisdiction only.

Warranty period commences from the date of purchase of the product unless specified otherwise.

Product Group	Product Description	Warranty Period (Months)	Parts/Accessory Warranty (if applicable)
AC	Room/Split Air Conditioner/ Floor Standing Air Conditioners (FAC)	12	Compressor : 60 months (120 months for Digital Inverter Compressor)* Condenser : 60 months (12 months for Fin & Tube type)**
	Window Air Conditioner	12	60 Months on Compressor*
	Duct Type Air Conditioner	15*	36 Months on Compressor*
	Cassette Air Conditioner	15*	
	FJM	15*	
	Indoor DVM & Outdoor DVM	12**	12 Months on Compressor*
Ventilation	ERV	12**	
Dish Washer	Dish Washer	12	
Microwave	Microwave	12	120 Months on Ceramic Enamel Cavity*
Refrigerator	Refrigerator	12	Compressor : 60 months (240 months for Digital Inverter Compressor)*
Washing Machine	Semi Automatic	24	Wash Motor : 60 months on Semi Automatic Wash Motor *
	Rear control panel Top Loading Fully Automatic	24	AC Motor : 120 months* Digital Inverter Motor : 240 months* (Applicable for Rear & Front Control Panel models with Wobble Pulsator) *
	Front control panel Top Loading Fully Automatic	24	
	Fully Auto Front Loading	24	Universal motor : 60 months* Digital Inverter Motor : 240 months*
Vacuum Cleaner	Vacuum Cleaner	12	
Air Cleaner	Air Cleaner	12	Warranty not applicable on Air Purifier Filters
Dryer	Dryer	12	

* 15 Months from date of purchase or 12 months from installation, whichever ends early. **12 Months from date of commissioning.

* In case of parts warranty, labour cost and gas charging cost(if applicable) will be chargeable as per the applicable rates.



Correct disposal of the product (Waste Electrical & Electronic Equipment)

This marking on the product, accessories or literature indicates that the electronic accessories (e.g. charger, headset, and USB cable) should not be disposed with other household waste at the end of their working life.

For more information on safe disposal and recycling visit our website or contact number.

SAMSUNG INDIA ELECTRONICS PRIVATE LIMITED

Registered Address: 6th Floor, DLF Centre, Sansad Marg, New Delhi-110001, Visit : www.samsung.com/in

Samsung Helpline - Call : 1800 40 SAMSUNG (7267864) / 1800 5 SAMSUNG (7267864)



6801-001984-22



मेमो

मेमो

मेमो

SAMSUNG

SAMSUNG WORLD WIDE से संपर्क करें

अगर Samsung उत्पादों से संबंधित आपके कोई प्रश्न या टिप्पणियाँ हैं, तो कृपया SAMSUNG ग्राहक सेवा केंद्र से संपर्क करें।

देश	संपर्क केंद्र	वेब साइट
INDIA	1800 40 SAMSUNG (1800 40 7267864) (Toll-Free) 1800 5 SAMSUNG (1800 5 7267864) (Toll-Free)	www.samsung.com/in/support

यह उत्पाद RoHS के अनुरूप है



DA68-04608B-00