

Washing Machine

User manual
WA**BG4*****



DC68-04429A-11

SAMSUNG

Contents

Safety information	3
What you need to know about the safety instructions	3
Important safety symbols	3
Important safety precautions	4
Instructions about the WEEE	12
Installation	13
What's included	13
Installation requirements	14
Step-by-step installation	15
Before you start	22
The basics	22
Smart Check	23
Laundry guidelines	24
Operations	28
Control panel	28
Simple steps to start	29
Auto cycles	30
Manual cycles	31
Special features	32
Maintenance	33
Cleaning	33
Troubleshooting	38
Checkpoints	38
Information codes	42
Specifications	44
Specification sheet	44
Terms of Warranty	46
Warranty not applicable in any of the following cases	46



DC68-04429A-11

2 English

Safety information

Do not let children (or pets) play in or on your washing machine. The washing machine door does not open easily from the inside and could be seriously injured if trapped inside.

Usage cautions

CAUTION

When the washing machine is contaminated by a foreign substance such as detergent, dirt, food waste, etc., unplug the power plug and clean the washing machine using a damp, soft cloth.

- Failure to do so may result in discoloration, deformation, damage, or rust.

The product you have purchased is designed for domestic use only. Using the product for business purposes qualifies as a product misuse. In this case, the product will not be covered by the standard warranty provided by Samsung and no responsibility can be attributed to Samsung for malfunctions or damages resulting from such misuse.

Do not stand on the appliance or place objects (such as laundry, lighted candles, lighted cigarettes, dishes, chemicals, metal objects, etc.) on the appliance.

- This may result in electric shock, fire, problems with the product, or injury.

Do not press the buttons using sharp objects such as pins, knives, fingernails, etc.

- This may result in electric shock or injury.

Critical cleaning warnings

WARNING

Do not clean the appliance by spraying water directly onto it. Do not use the strong acidic cleaning agent. Before cleaning or performing maintenance, unplug the appliance from the wall socket.

- Failure to do so may result in electric shock or fire.

English 11

Installation

NOTE

- After connecting the water hose to the adaptor, check if it is connected properly by pulling the water hose downwards.
- Use a standard type of water tap. If the tap is square-shaped or too big, remove the spacer ring before inserting the tap into the adaptor.

STEP 4 Position the drain hose

General type

- Press and hold down the joint ring, and insert it into the drain hose.

NOTE

- The position (side or rear) of the drain outlet depends on the model.
- Availability of the hose cap depends on the model.

NOTE

- Connect the other end of the drain hose to a standpipe or basin that is positioned 90-100 cm (7) from the floor.

WARNING

Make sure the end of the drain hose is not submerged by water. Otherwise, the washing machine may suffer serious damage.

English 19

Instructions about the WEEE

Correct Disposal of This Product (Waste Electrical & Electronic Equipment)
(Applicable in countries with separate collection systems)

This marking on the product, accessories or literature indicates that the product and its electronic accessories (e.g. charger, headset, USB cable) should not be disposed of with other household waste at the end of their working life. To prevent possible harm to the environment or human health from uncontrolled waste disposal, please separate these items from other types of waste and recycle them responsibly to promote the sustainable reuse of material resources.

Household users should contact either the retailer where they purchased this product, or their local government office, for details of where and how they can take these items for environmentally safe recycling.

Business users should contact their supplier and check the terms and conditions of the purchase contract. This product and its electronic accessories should not be mixed with other commercial wastes for disposal.

For more information on safe disposal and recycling, visit our website www.samsung.com or contact our Helpline numbers on the last page.

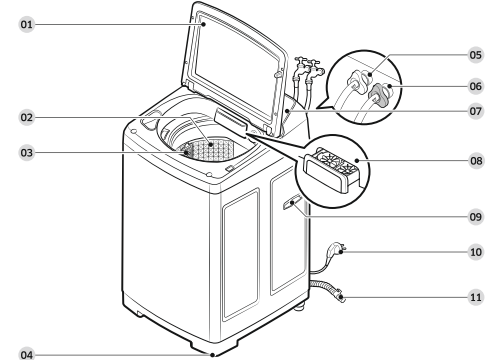
English 12

Installation

Follow these instructions carefully to ensure proper installation of the washing machine and to prevent accidents when doing laundry.

What's included

Make sure all the parts are included in the product package. If you have missing or defective parts, contact a local Samsung customer centre or the retailer.



- | | | |
|-------------------|----------------------|------------------------|
| 01 Door | 02 Tub | 03 Lint filter* |
| 04 Levelling Feet | 05 Water Hose (Cold) | 06 Water Hose (Hot) |
| 07 Control Panel | 08 Detergent Box | 09 Handle (for moving) |
| 10 Power Cord | 11 Drain Hose | |

English 13

Installation

CAUTION

- Do not exceed 3 m (7) for the total length of extended hoses.
- Do not let the drain hose run over doorrails that protrude 5 cm (2) or more from the floor.
- Do not run the drain hose under the bottom of the machine.

STEP 5 Power on

Plug the power cord into a wall socket featuring an AC 220-240 V / 50 Hz approved electrical outlet protected by a fuse or circuit breaker. Then, press **Power** to turn on the washing machine.

English 21

NOTE

- Availability of parts with an asterisk (*) depends on the model.
- Door: Make sure to keep the door closed while the washing machine is operating.
- Lint filter: This collects lint that builds up from the laundry being washed.
- Grounding lead: Cover this lead if wired to a metal part for earth-grounding.
- Levelling feet: Adjust the feet to level the washing machine on a flat floor.

Installation requirements

WARNING

- AC 220-240 V / 50 Hz fuse or circuit breaker is required.
 - Use an individual branch circuit specific to the washing machine.
 - Do NOT use an extension cord.
 - Use only the power cord that comes with the washing machine.
 - Do NOT connect the ground wire to plastic plumbing, gas lines, or hot water pipes.
- Levelling**
- To prevent tumbling or noise, install the washing machine on a solid, flat floor without a platform or bricks.
 - Keep the washing machine at 10 cm from each adjacent wall.
- Water supply**
- Make sure water taps are easily accessible.
 - Turn off the taps when the washing machine is not in use.
 - Check for any leaks at the water hose fittings on a regular basis.

Drain

- Make sure the drain hose is not clogged.
- We recommend a standpipe in height of 90-100 cm. The drain hose must be connected through the hose clip to the standpipe, and the standpipe must fully cover the drain hose. The standpipe specifications mentioned here are only applicable to pump-type models.

Levelling

- To prevent tumbling or noise, install the washing machine on a solid, flat floor without a platform or bricks.
- Keep the washing machine at 10 cm from each adjacent wall.

Water supply

- Make sure water taps are easily accessible.
- Turn off the taps when the washing machine is not in use.
- Check for any leaks at the water hose fittings on a regular basis.

English 14

Before you start

The basics

Detergent Box

- To add a laundry-specific detergent, follow these steps:
 - Open the door then the Built-In sink to reveal the tub.
 - Open the detergent box by pulling in the direction of the arrow as shown in the figure and then put the detergent in the detergent box.
 - Put in one-time amount of detergent evenly so the detergent may not brim from each adjacent wall.
 - Add fabric softener as recommended by the manufacturer, and then close the cover.

NOTE

If you cannot see the fabric softener compartment, manually rotate the drum clockwise to reveal it.

CAUTION

Make sure to use detergent as appropriate. An excessive amount of detergent may not dissolve well.

- Do not add too much softener. This may reduce the performance.
- Do not leave softener into the softener dispenser for a long time. The softener becomes hardened and may not dissolve well.
- Do not remove the nozzle.
- It can affect performance.
- Please mix water when using softener.

Add only liquid chlorine bleach to the bleach compartment. Do not exceed the maximum load.

CAUTION

Do not add undiluted liquid chlorine bleach directly to the load or to the tub. This may cause fabric damage.

NOTE

The function name, Smart Check, may differ depending on the language.

- If there is strong reflected light on the washing machine display, the app may fail to recognize the information code.
- If the app fails to recognize the Smart Check code consecutively, enter the information code manually onto the app screen.

Connect Smart Things (WABG***, WA**BG***2 model only)**

- After connecting your smartphone to a Wi-Fi router, run the Smart Things app.
- On the Home screen, Select Add Device
- Please choose a washing machine.
- Press Start.
- Please select the place where the washing machine is installed.
- Please choose a room.
- After turning on the washing machine, press and hold the Smart Control button for more than 3 seconds until the AP is displayed.
- Connecting to the washing machine.
- To set up the washing machine, first select a Wi-Fi network.
- Registering the washing machine device to your Samsung account.
- The connection is complete.

English 22

Safety information

Congratulations on your new Samsung washing machine. This manual contains important information on the installation, use and care of your appliance. Please take some time to read this manual to take full advantage of your washing machine's many benefits and features.

What you need to know about the safety instructions

Please read this manual thoroughly to ensure that you know how to safely and efficiently operate the extensive features and functions of your new appliance. Please store the manual in a safe location close to the appliance for future reference. Use this appliance only for its intended purpose as described in this instruction manual. Warnings and Important Safety Instructions in this manual do not cover all possible conditions and situations that may occur. It is your responsibility to use common sense, caution and care when installing, maintaining and operating your washing machine. Because the following operating instructions cover various models, the characteristics of your washing machine may differ slightly from those described in this manual and not all warning signs may be applicable. If you have any questions or concerns, contact your nearest service centre or find help and information online at www.samsung.com.

Important safety symbols

What the icons and signs in this user manual mean:

WARNING

Hazards or unsafe practices that may result in severe personal injury, death and/or property damage

English 3

Safety information

Critical installation warnings

WARNING

The installation of this appliance must be performed by a qualified technician or service company.

- Failure to do so may result in electric shock, fire, an explosion, problems with the product, or injury.

Plug the power cord into a wall socket or higher and use the socket for this appliance only. Never use an extension cord.

- Sharing a wall socket with other appliances using a power strip or extending the power cord may result in electric shock or fire.

- Ensure that the power voltage, frequency, and current are the same as those of the product specifications. Failure to do so may result in electric shock or fire. Plug the power plug into the wall socket firmly.

- Remove all foreign substances such as dust or water from the power plug terminals and contact points using a dry cloth on a regular basis.

- Unplug the power plug and clean it with a dry cloth.

- Failure to do so may result in electric shock or fire.

- Plug the power plug into the wall socket so that the cord is running towards the floor. If you plug the power plug into the socket in the opposite direction, the electric wires within the cable may be damaged and this may result in electric shock or fire.

This appliance must be properly grounded.

English 3

Installation

Step-by-step installation

STEP 1 Select a location

Location requirements:

- Solid, level surface without carpeting or flooring that may obstruct ventilation.
- Away from direct sunlight.
- Adequate room for ventilation and wiring.
- The ambient temperature is always higher than the freezing point (0°C).
- Away from a heat source.

Assembling the rat protection panel (applicable models only)

Tilt the washing machine a little, insert the shutter and finally fix the shutter with screw to the base as shown in the picture.

- Insert the rat protection panel to the assembling hole on back side to the end.

- If you have difficulty inserting the panel, lift up the washing machine a little and insert it.

English 15

Safety information

CAUTION

Hazards or unsafe practices that may result in personal injury and/or property damage

NOTE

Indicates that a risk of personal injury or material damage exists. These warning signs are here to prevent injury to yourself and others. Please follow them explicitly. After reading this manual, store it in a safe place for future reference. Read all instructions before using the appliance. As with any equipment that uses electricity and moving parts, potential hazards exist. To safely operate this appliance, familiarize yourself with its operation and exercise care when using it.

Important safety precautions

WARNING

To reduce the risk of fire, electric shock, or injury to persons when using your appliance, follow basic precautions, including the following:

- This appliance is not intended for use by persons (including children) with reduced physical, sensory or mental capabilities, or lack of experience and knowledge, unless they have been given supervision or instruction concerning use of the appliance by a person responsible for their safety.

English 4

English 4

Do not ground the appliance to a gas pipe, plastic water pipe, or telephone line.

- This may result in electric shock, fire, an explosion, or problems with the product.

- Never plug the power cord into a socket that is not grounded correctly and make sure that it is in accordance with local and national regulations.

Do not install this appliance near a heater or any inflammable material. Do not install this appliance in a humid, oily or dusty location, or in a location exposed to direct sunlight or water (rain drops).

Do not install this appliance in a location exposed to low temperatures.

- Frost may cause the tubes to burst.

Do not use an electric transformer.

- This may result in electric shock or fire.

Do not use a damaged power plug, damaged power cord, or loose wall socket.

- This may result in electric shock or fire.

Do not pull or excessively bend the power cord. Do not twist or tie the power cord.

Do not hook the power cord over a metal object, place a heavy object on the power cord, insert the power cord between objects, or push the power cord into the space behind the appliance.

- This may result in electric shock or fire.

This appliance should be positioned so that the power plug, the water supply taps, and the drain pipes are accessible.

English 4

STEP 2 Adjust the levelling feet (WA90BG*** / WA10BG*** Model has 2 levelling feet)

Unpack the product package.

- Gently slide the washing machine into position. Excessive force may damage the levelling feet (A).
- Level the washing machine by manually adjusting the levelling feet.

- When levelling is complete, tighten the nuts (B) if provided (some models may not have the nuts).

WARNING

Packaging materials can be dangerous to children. Dispose all packaging material (plastic bags, polystyrene, etc.) out of children's reach.

STEP 3 Connect the water hose

Connect the water hose to the water tap.

- Remove the adaptor (A) from the water hose (B).

English 16

English 16

Before you start

Laundry guidelines

Checkpoints

- Check for stains or dirt. Apply a little detergent to a white towel. Rub the white towel and the dirty clothes together to transfer the dirt or colour to the white towel.
- Before washing, pre-treat the sleeves, collars, dress hems, and pockets by brushing with detergent.
- Wrinkle-pressed clothes made of wool must be specially treated by lightening them with threads before washing. Remove the threads after washing and drying is complete.

CAUTION

- Do not keep heavy clothes or objects in the tub.
- Do not put candles or a heat source in or on the washing machine.
- Do not wash these clothes:
 - Neckties, brassieres, jackets, suits, and coats can be easily deformed by shrinking or discolouring on the surface. These clothes are mostly made of rayon, poly混混, cuff and/or blended fabric.
 - Wrinkle-processed, embossed, or resin processed clothes easily deform merely by soaking in water.
 - Clothes that are easily discoloured made from cotton, wool, wrinkled silk, leather wear and accessories, and leather ornamented clothes and accessories.
 - Waterproof sheets, mattresses, or specific items (7)
 - Thick and hard mattresses, even if they are marked Washable on the care label. Mattresses may cause vibrations, resulting in physical injury, or damage to the machine, wall, or floor as well as the laundry itself.*
 - Wool quilts, rain covers, fishing jackets and trousers, skiver, sleeping bags, diaper covers, sweat suits, vehicle covers for automobiles, bicycles, and motorcycles, bath rugs, and other waterproof items.

NOTE

- The function name, Smart Check, may differ depending on the language.
- If there is strong reflected light on the washing machine display, the app may fail to recognize the information code.
- If the app fails to recognize the Smart Check code consecutively, enter the information code manually onto the app screen.

Connect Smart Things (WABG***, WA**BG***2 model only)**

- After connecting your smartphone to a Wi-Fi router, run the Smart Things app.
- On the Home screen, Select Add Device
- Please choose a washing machine.
- Press Start.
- Please select the place where the washing machine is installed.
- Please choose a room.
- After turning on the washing machine, press and hold the Smart Control button for more than 3 seconds until the AP is displayed.
- Connecting to the washing machine.
- To set up the washing machine, first select a Wi-Fi network.
- Registering the washing machine device to your Samsung account.
- The connection is complete.

English 24

English 24

2. For use in Europe: This appliance can be used by children aged from 8 years and above and persons with reduced physical, sensory or mental capabilities or lack of experience and knowledge if they have been given supervision or instruction concerning use of the appliance in a safe way and understand the hazards involved. Children shall not play with the appliance. Cleaning and user maintenance shall not be made by children without supervision.

3. Children should be supervised to ensure that they do not play with the appliance.

4. If the supply cord is damaged, it must be replaced by the manufacturer, its service agent or similarly qualified persons in order to avoid a hazard.

5. CAUTION: In order to avoid a hazard due to inadvertent resetting of the thermal cut-out, this appliance must not be supplied through an external switching device, such as a timer, or connected to a circuit that is regularly switched on and off by the utility.

6. The new hose-sets supplied with the appliance are to be that old hose-sets should not be used and reused.

English 5

Installation cautions

CAUTION

This appliance should be positioned in such a way that the power plug is easily accessible.

- Failure to do so may result in electric shock or fire due to electric leakage.

Do not install this appliance near a heater or any inflammable material. Do not install this appliance in a humid, oily or dusty location, or in a location exposed to direct sunlight or water (rain drops).

Do not install this appliance in a location exposed to low temperatures.

- Frost may cause the tubes to burst.

Do not use an electric transformer.

- This may result in electric shock or fire.

Do not use a damaged power plug, damaged power cord, or loose wall socket.

- This may result in electric shock or fire.

Do not pull or excessively bend the power cord. Do not twist or tie the power cord.

Do not hook the power cord over a metal object, place a heavy object on the power cord, insert the power cord between objects, or push the power cord into the space behind the appliance.

- This may result in electric shock or fire.

This appliance should be positioned so that the power plug, the water supply taps, and the drain pipes are accessible.

English 5

Installation

- Use a Philips screwdriver to loosen four screws on the adaptor.

- Hold the adaptor and turn part (K) in the arrow direction to loosen it by 5 mm (7).

- Insert the adaptor into the water tap, and tighten the screws while lifting up the adaptor.

- Turn part (K) in the arrow direction to tighten it.

- While holding down part (D), connect the water hose to the adaptor. Then, release part (D). The hose fits into the adaptor with a clicking sound.

English 17

English 17

7. This appliance is intended to be used in household only and it is not intended to be used such as:

- staff kitchen areas in shops, offices and other working environments;
- farm houses;

- by clients in hotels, motels and other residential type environments;

- bed and breakfast type environments;

- areas for communal use in blocks of flats or in launderettes.

8. For washing machines having ventilation openings in the base, the installation instructions shall state that the openings must not be obstructed by a carpet.

9. For use in Europe: Children of less than 3 years should be kept away unless continuously supervised.

English 7

English 7

English 7

English 7

English 7

Safety information

In the event of a gas leak (such as propane gas, LP gas, etc.), ventilate immediately without touching the power plug. Do not touch the appliance or power cord.

- Do not use a ventilating fan.
- A spark may result in an explosion or fire.

Do not let children play in or on the washing machine. In addition, when disposing of the appliance, remove the lid.

- If trapped inside the product, children may suffocate to death.

Do not wash items contaminated with gasoline, kerosene, benzene, paint thinner, alcohol or other inflammable or explosive substances.

- This may result in electric shock, fire, or an explosion.

Do not touch the power plug with wet hands.

- This may result in electric shock.

Do not insert your hand or a

Before you start

STEP 5 Determine the load capacity

Do not overload the washing machine. Overloading may cause the washing machine to not wash properly.

NOTE

When washing or bedding covers, the wash time may be lengthened or the spin efficiency may be reduced. For bedding or bedding covers, the recommended load capacity is 3.0 kg or less.

CAUTION

If the laundry is unbalanced and the "UB" information code is displayed, redistribute the load. Unbalanced laundry may reduce the spinning performance.

STEP 6 Apply a proper detergent type

The type of detergent depends on the type of fabric (cotton, synthetic, delicate items, wool, colour, wash temperature, and degree of soiling. Always use "low suds" laundry detergent, which is designed for automatic washing machines.

CAUTION

- Use an appropriate amount of detergent. Excess amounts of detergent do not produce much improvement in washing results but cause damage to the laundry due to deteriorated rinsing performance.
- Bleach is strong alkali in nature, causing damage to or discoloration of the laundry.
- Use a longer or added rinse cycle when using powder detergent that is very likely to remain on the laundry and cause bad odours after washing is complete.
- If an excessive amount of detergent is used especially in cold water, the detergent doesn't dissolve well, ending up with contaminated laundry, hoses, and/or tub.
- In case of timed washing, do not apply detergent directly to laundry or the tub. The laundry may be discoloured. Use the detergent box.
- When washing wool using the Wool cycle, use only a neutral detergent to avoid discoloring the laundry.

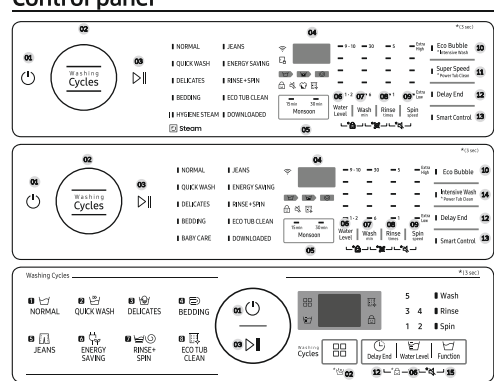
NOTE

Follow the detergent manufacturer's recommendations based on the weight of the laundry, the degree of soiling, and the hardness of the water in your local area. If you are not sure about the water hardness, contact a local water authority.

Do not use detergent that tends to be hardened or solidified. This detergent may remain after the rinse process, blocking the drain outlet.

Operations

Control panel



Caution and button of the Control Panel may differ depending on the model.

- 01 Power** Power on or off the washing machine.
 - 02 Cycle** Press to select a desired cycle. The selected cycles indicator will blink (off).
 - 03 Start/Pause** Select a cycle and press START/PAUSE to start the cycle. To stop the current operation, press START/PAUSE.
 - 04 Display** Displays the current cycle information and estimated time remaining or an information code if the washing machine button is not checked.
 - 05 Resonance** Use this option to speed up the drying process. Press the button to cycle through the times 15min, 30min.
- NOTE**
- This option is available only when a spinning cycle is selected.
 - This option is not available with the DELICATES, AQUA PRESERVE, or ECO TUB CLEAN cycle.

Maintenance

- Clean the filter with running water and a soft brush.
- Reinsert the filter, and turn clockwise until it locks into position.

Mesh filter

- Turn the water hose counterclockwise to disconnect.
- Use pliers to pull out the mesh filter from inside the water inlet as shown.
- Use a soft brush to clean the filter with running water.

- Reinsert the filter. Make sure it is tightened against water leaks.
- Open the door and then the Built-in sink to reveal the detergent box.
- Clean the detergent box as well as the wing distributors with running water and a soft brush.
- When complete, reinsert the wing distributors. Then, reinsert the detergent box to the washing machine.

Troubleshooting

- CL, dC** Child Lock is activated unexpectedly. While the information code blinks at a 0.5 second intervals, water drains with an alarm. To clear the information code, close the door when draining is complete, and then restart the washing machine by pressing the START/PAUSE button.
- LC** Check if the end of the drain hose is placed on the floor. (The hose should be hung over the pump + hose guide). Check if the drain hose is clogged by any foreign substances. If the error remains, call the customer care.
- BC** Check the MEMS sensor. Power the washer off, wait 2-3 minutes, power the washer on, and then try again. If the problem continues, call for service.
- 9C1** The electronic control needs to be checked (Over Voltage Error). Check if power is supplied properly. Turn off the washer, unplug it, wait one minute, and then plug the washer in again. If the information code remains, contact a Samsung customer service center.
- 9C2** Low voltage detected. Check if the power cord is plugged in. Turn off the washer, unplug it, wait one minute, and then plug the washer in again. If the information code remains, contact a Samsung customer service center.
- PC** When position of the clutch can't be detected. Turn off the washer, unplug it, wait one minute, and then plug the washer in again. If the information code remains, contact a Samsung customer service center.
- PC1** After position of the clutch is detected, if the signal from the clutch hall is incorrect. Turn off the washer, unplug it, wait one minute, and then plug the washer in again. If the information code remains, contact a Samsung customer service center.
- Ur** Display for additional rinsing. Appears when additional rinsing cycle senses that tub is unbalanced. Press any button/key to release the display.
- HC** High temperature heating check. Turn off the washer, unplug it, wait one minute, and then plug the washer in again. If the information code remains, contact a Samsung customer service center.

If any information code keeps appearing on the screen, contact a local Samsung service centre.

Specifications

Specification sheet

Type	Top loading washing machine	
	WA90BC***	WA10BC***
Max load (kg)	9.0	10.0
Power consumption (W)	Washing: 220-240W	
AC220-240V/50Hz	Washing and Heating: 1220-1240W (WA*BC*8* Model Only)	
Dimensions (mm)	540*568*1008	
Net Weight (kg)	29.5	30
Water pressure (Mpa (kgf/cm ²))	0.05 - 0.78 (0.5 - 8.0)	
Washing type	Stirring type	
Water Level (L)	10, 62, 68, 9, 60, 66, 8, 58, 64, 7, 54, 60, 6, 49, 56, 5, 45, 62, 4, 40, 45, 3, 37, 39, 2, 33, 33, 1, 31, 31	
Water usage (L)	160	
Spin speed (rpm)	700	

NOTE (Only Applicable to India)

- Asterisk (*) means variant model and can be varied (D-9) or (A-2).
- The design and specifications are subject to change without notice for quality improvement purposes.
- The energy label specifications have been determined by using the following program according to IEC 60456.
- The program is WA*BC***: Energy saving course, Water level 5

44 English

Terms of Warranty (Only Applicable to India)

Warranty not applicable in any of the following cases

- The Complete warranty Card is not presented to the service engineer at the time of repairs being undertaken/required.
- The Product is not purchased from an Authorized Samsung Sales Dealer.
- The Product purchased is not used according to the instruction given in the INSTRUCTION MANUAL as determined by company personnel.
- Defect Caused by improper use, as determined by the authorized service centers/Company Personnel.
- Modification or alterations of any nature made in the circuitry by the Purchaser or unauthorized Personnel, as determined by Company personnel.
- The Warranty is not applicable if the washing machine used for commercial purpose or Public places like Hotels, training centers and other similar applications.
- The Original Serial number is removed, obliterated or altered from the Product.
- Defect due to causes beyond control like lightning, abnormal voltage, acts of god or while in transit to service center or to the purchaser's residence.
- Correcting the installation for example leveling the product, adjustment of drain hose, Adjustment of Tap adaptor.
- Noise or Vibration that is considered as normal for example water drain sound, spin sound or warning beeps.
- Removal of foreign objects/substances from machine, including the Drain Valve and inlet hose filter for example coin, Gift, safety pin, buttons, hooks, Dirt accumulation etc.
- Replace fuse, correcting house wiring, house plumbing and defect or damage caused by household pets, rats, cockroaches or any other animals or insects.

For warranty conditions refer warranty card.

46 English

Operations

- Press POWER to turn on the washing machine.
- Press Cycle to select the desired Cycle.
- Change the cycle settings (Water Level, Wash Time, Rinse Times, and/or Spin Time) as necessary.
- To add an option such as Intensive Wash, Monsoon and Eco Bubble/Bubble Storm, Delay End, Super Speed, press the correcting button.
 - To Enable/Disable the Eco Bubble, hold down Washing Cycles button for 3 seconds (Only WA*BG441***)
- Press START/PAUSE to change the cycle during operation.
- Select a different cycle, and repeat steps 2-4 above if necessary.
- Press START/PAUSE again to start the new cycle.

Auto cycles

Cycle	Description
Normal	For most fabrics including cottons, linens, and normally soiled items.
Quick Wash	For lightly soiled items that you want to finish washing quickly.
Delicates	Select this for delicate items such as sweaters, cardigans, or wool clothes.
Bedding	For bulky and large items, such as comforters, blankets and sheets, and water/oil or water resistant items. When washing comforters, use liquid detergent.
Hygiene Steam	For heavily soiled, colorfast garments.
Jeans	Suitable for clothes that require a thorough wash.
Energy Saving	Use this course to save energy.
Rinse + Spin	For loads that need rinsing only or to add rinse-aided fabric softener to.
Eco Tub Clean	Select this to clean the tub. The powerful spinning action cleans the tub and odors from inside the tub. A blinking indicator reminds you that it is time to clean the tub using Eco Tub Clean. For details, see the cleaning section in this manual.
Baby care	For baby clothes.
Downloaded	Select this for downloaded cycles using application.

NOTE: After continuous usage of 5 times particular cycle, the same cycle will be set as default cycle.

30 English

Maintenance

Cleaning

Power Tub Clean
Use this function if you have not performed the Eco Tub Clean cycle. You can add detergent to clean the tub more thoroughly.

- Make sure the tub is empty.
- Press power to turn on the washing machine.
- Press and hold **Super Speed** for 3 seconds.
 - Four 200 ml of chlorine bleach evenly on the bottom of the tub.
- Press **Start/Pause**.

WARNING

- Do not put any items in the tub while running the Power Tub Clean cycle. The items may get damaged or discoloured.

Depending on the conditions and surroundings in which the washing machine is used, during the spinning cycle, contamination in the tub or the result of the Power Tub Clean cycle may vary.

- Make sure you use rated power for the product.
- Make sure the power cord is completely plugged in.
- Check the fuse or reset the circuit breaker.
- Make sure the door is closed.
- Make sure the water taps are open.
- Make sure to press or tap Start/Pause to start the washing machine.
- Make sure the laundry load is balanced.
- Make sure the laundry is spread evenly in the tub.
- Before the washing machine starts to fill, it will make a series of clicking noises to check the door lock and does a quick drain.
- Was the door opened during the spinning cycle? Close the door, and press or tap Start/Pause to resume. The machine enters Standby or is in a soaking cycle. Please wait.
- Check the fuse or reset the circuit breaker.
- Make sure you press or tap Start/Pause after selecting the water supply.
- Make sure the water taps are open.
- Is the filter net at the water supply hose connector clogged? Clean the filter net by brushing with a toothbrush.
- Is the water supply cut off? If the water supply is cut off, close the tap and power off.
- Straighten the water supply hoses.
- Open and close the door, then press or tap Start/Pause.
- If the water pressure is low, it takes longer to start washing.
- If the water level is not as high as necessary or lower than expected, use the level selector to adjust the water level.

Troubleshooting

Checkpoints

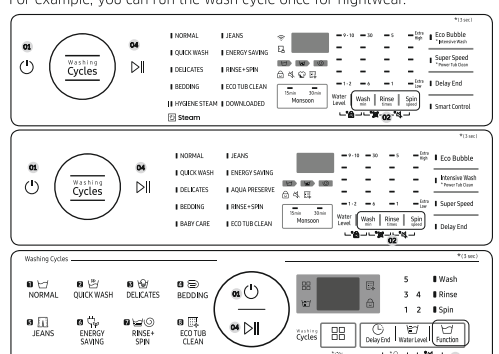
If you encounter an issue to check with the washing machine, first check the table below and try the suggestions.

Symptom	Action
Does not turn on.	Make sure you use rated power for the product. Make sure the power cord is completely plugged in. Check the fuse or reset the circuit breaker.
Does not start.	Make sure the door is closed. Make sure the water taps are open. Make sure to press or tap Start/Pause to start the washing machine. Make sure the laundry load is balanced. Make sure the laundry is spread evenly in the tub. Before the washing machine starts to fill, it will make a series of clicking noises to check the door lock and does a quick drain. Was the door opened during the spinning cycle? Close the door, and press or tap Start/Pause to resume. The machine enters Standby or is in a soaking cycle. Please wait. Check the fuse or reset the circuit breaker. Make sure you press or tap Start/Pause after selecting the water supply. Make sure the water taps are open. Is the filter net at the water supply hose connector clogged? Clean the filter net by brushing with a toothbrush. Is the water supply cut off? If the water supply is cut off, close the tap and power off. Straighten the water supply hoses. Open and close the door, then press or tap Start/Pause. If the water pressure is low, it takes longer to start washing. If the water level is not as high as necessary or lower than expected, use the level selector to adjust the water level.
Water is not supplied.	

38 English

Manual cycles

You might want to use a single cycle to wash less soiled clothes. For example, you can run the wash cycle once for nightwear.



- Press Power to turn on the washing machine.
- Press Wash/Rinse/Power Spin to turn the individual cycle to your needs. The duration or count of each cycle can be adjusted by pressing the applicable button as many times as needed. (Only WA*BG441***)
- For loads that need rinsing only or to add rinse-aided fabric softener to, select this to clean the tub. The powerful spinning action cleans the tub and odors from inside the tub. A blinking indicator reminds you that it is time to clean the tub using Eco Tub Clean. For details, see the cleaning section in this manual. (Press Function repeatedly to select below function options only WA*BG441***)
- Press Start/Pause.

30 English

Operations

Special features

- Child Lock** - WA*BG484.474.46446***: Water Level + Wash Time
 - Special Lock** - WA*BG444.424.404***: Delay End + Water Level
- Child Lock is designed to prevent accidents by children or infants, such as drowning in the tub.
- To activate the Child Lock**
Press and hold **Water Level** and **Wash Time** simultaneously for 3 seconds. The indicator blinks.
- To deactivate the Child Lock**
Press and hold **Water Level** and **Wash Time** simultaneously for 3 seconds. The indicator turns off. If the tub has contained water, simply restart the machine and press and hold **Water Level** and **Wash Time** simultaneously for 3 seconds to deactivate the Child Lock.
- With the Child Lock enabled**
You can still manipulate on the control panel while the door is closed. If you open the door, an information code (CL, dC) appears with an alarm. Then, the machine starts forced draining after 30 seconds in order to prevent accidents.
- If the door is left open for 30 seconds with the tub containing water, the machine drains the water with the "CL" code, which you cannot stop.**
- To add detergent or more laundry in the tub, or to change the cycle settings, you must first deactivate the Child Lock.

Delay End

- You can set the washing machine to finish a cycle later. The hour displayed indicates the time the wash will finish.
- Select a cycle. The current cycle with a 3-hour setting, and then press Start/Pause.
 - Press Delay End repeatedly until a desired end time is set.
 - Press Start/Pause. The timer indicator next to the Delay End button turns on, and the lamp starts.
 - To cancel Delay End, restart the washing machine by pressing POWER. Real-life case.
- You want to finish a two-hour cycle 3 hours from now. To do this, add the Delay End option to the current cycle with a 3-hour setting, and then press Start/Pause at 2:00 p.m. The washing machine starts operating at 3:00 p.m. and ends at 5:00 p.m. Provided below is the timeline for this example.

2:00 pm Set the Delay End to 3 hours 3:00 pm Start 5:00 pm End

30 English

Troubleshooting

Symptom	Action
After a cycle, detergent remains in the automatic dispenser.	Make sure the washing machine is running with sufficient water pressure. Make sure the detergent box is properly inserted. Remove and clean the detergent box, and then try again.
Fills with the wrong temperature water.	Make sure the washing machine is set on a level floor. If the floor is not level, use the leveling feet to adjust the washing machine. Make sure the washing machine is not contacting any other object. Make sure the laundry load is balanced. Make sure the laundry is spread evenly in the tub. Before the washing machine starts to fill, it will make a series of clicking noises to check the door lock and does a quick drain. Humming is produced normally during operation. Objects such as coins can cause noise. Remove these objects from the washing machine after washing is complete.
Door (Lid) locked or will not open.	Plug the power cord into a live electrical outlet. Check the fuse or reset the circuit breaker. Close the door, and press or tap Start/Pause to start the washing machine. For your safety, the washing machine will not spin unless the door is closed. Before the washing machine starts to fill, it will make a series of clicking noises to check the door lock and does a quick drain. There may be a pause or spaik period in the cycle. Wait briefly and then restart the washing machine. Make sure the inlet hose screens at the taps are not clogged. Periodically clean the screens. This symptom occurs temporarily due to low voltages, and will be solved when power recovers.
Does not drain and/or spin.	While the washing machine is operating, press or tap Start/Pause to stop the washing machine. Make sure the electrical voltage is normal. Make sure the washing machine is plugged in. Make sure the drain hose is pointed downward. Make sure the drain hose is not clogged. Make sure the drain hose is not kinked. Straighten the drain hose. If there is a drain restriction, call for service. Close the door, and press or tap Start/Pause. For your safety, the washing machine will not spin unless the door is closed.

40 English

Maintenance

Cleaning

Keep the washing machine clean to prevent deteriorated performance and to preserve its life cycle.

Exterior

- Clean the control panel with a soft, damp cloth. Do not use abrasive powders or cleaning pads. Do not spray cleaners directly on the panels.

Eco Tub Clean

Regularly run this cycle to clean the tub and to remove bacteria from it.

- Make sure the tub is completely empty.
- Press POWER to turn on the washing machine.
- Press Cycle to select ECO TUB CLEAN.
- Press START/PAUSE.

CAUTION

Only run Eco Tub Clean when the tub is completely empty. This may cause damage to the laundry or a problem with the washing machine.

ECO TUB CLEAN reminder

- The indicator reminds you of cleaning the tub when necessary. If you happen to see the indicator blinking after washing is complete, remove the laundry and run the ECO TUB CLEAN cycle.
- You can ignore this reminder and continue to run cycles normally because this is not a system failure. However, the reminder remains active for consecutive cycles immediately after each cycle is complete.
- The reminder is activated once every 1-3 months, depending on the cycle count.
- To keep the tub clean, it is recommended to run ECO TUB CLEAN on a regular basis.

Sound On/Off

- You can turn on or off the key. Your setting will remain effective after you restart the machine.
- To mute/unmute the sound, hold down Rinse Times and Spin speed simultaneously for 3 seconds (WA*BG484.474.46446***).
- To mute/unmute the sound, hold down Water Level and Function simultaneously for 3 seconds (WA*BG4441***).

30 English

Maintenance

Cleaning the lint filter

Clean the filter net often to keep the washing machine clean.

- Push the upper part of the filter and pull in.
- Open the cover as shown in the figure.
- Then remove the lint from the filter.
- Clean the filter.
- Close the cover and insert the lower part of the filter in the basket first and then push the filter with "click" sound.

Pump filter (applicable models only)

- Put a floor cloth or towel under the Pump Filter. Turn the filter knob anticlockwise to rem ove.

34 English

Troubleshooting

Symptom	Action
Water drains out immediately.	Make sure the drain hose is installed correctly. See the installation section of this user manual and adjust the position of the drain hose as instructed.
Stains on clothes.	Clean the magic filter.
Has odours.	Excessive suds collect in residues and can cause foul odours. Run cleaning cycles to sanitize periodically. Dry the washing machine interior after a cycle has finished.
Water drains out immediately.	Make sure the drain hose is not bent, frozen or clogged. If the water does not drain in 30 minutes, an alarm will sound with the information code of "3C" on the display.
Water is not supplied.	Make sure the water tap is opened. Make sure the water hose is not bent, frozen or clogged. If the water supply is not finished within 1 hour or the water level does not change in 4-10 minutes after the water supply has started, an alarm will sound with the information code of "4C" on the display.
The spinning process does not operate.	Make sure the laundry is spread out evenly in the tub. Make sure the washing machine is levelled on a flat surface.
Water overflows.	Run the spinning process to drain water, and restart the machine. If the information code continues to appear, call for service.

42 English

SAMSUNG Helpline - Call : 1800 40 7267864 (1800 40 SAMSUNG) | 1800 5 7267864 (1800 5 SAMSUNG)

This warranty card gives the key points related to warranty claim. For further details log on to www.samsung.com/in/support.

Warranty Card (Only Applicable to India)

(Only Applicable to India)

The Warranty shall be null and void in any of the following cases, and in such cases Samsung may at its sole discretion repair the equipment on a chargeable basis. The decision of Samsung, whether a complaint falls in any of these categories or not shall be binding on the Purchaser.

- The fully filled warranty card/proof of purchase is not presented to the service engineer at the time of repairs being undertaken / requested.
- The original serial number of the product is removed, altered or obliterated from the product.
- The product purchased is not used as per the rated power conditions or instructions mentioned in the INSTRUCTION MANUAL.
- The product is being used for commercial purpose OR if the product has been used excessively and beyond reasonable usage as permitted within the product instruction manual.
- Site (premises where the product is used/ kept) conditions that do not conform to the recommended operations of the product.
- Defects caused due to exposure to moisture/dampness/extreme thermal or environmental conditions or rapid changes in such conditions/corrosions/oxidations/spilling of food/liquid/influence of Chemical substances.
- Defects due to causes beyond control like lightning, abnormal voltage, spikes, external sources (ex: cable/let top box connections), fire, water logging, natural calamities, commotion, riots, theft, anti-social action, acts of God or while in transit.
- Defects caused by household pets, rats, cockroaches, ants, pests, fungi or any other animal/birds/insects.
- Defects caused due to negligence/omission of the Purchaser on account of periodic maintenance(s)/periodic servicing as mentioned in the instruction manual of the product.
- Defects caused due to usage of third party material/non Samsung Authorized Consumables.
- Any modifications, including but not limited to, routing attempts, reverse engineering, unlocking, jail-breaking etc. of the original firmware(s) or software(s) of the product.
- Repair due to misuse/third party repair attempts are not covered in warranty.
- Warranty does not cover repair due to external factors/mediums/data types. (Natural drain models only)
- Warranty shall apply only if the product is used as per its usage specifications (ex: personal, commercial etc.)
- Warranty shall be void if product has failed under certain conditions/types (ex: water logging, misuse, etc.)

All disputes arising out of this warranty are subject to Delhi jurisdiction only.

Warranty period commences from the date of purchase of the product unless specified otherwise.

Product Group	Product Description	Warranty Period (Months)	Parts/Accessory Warranty (If applicable)
Washing Machine	Semi Automatic	24	Wash Motor : 60 months on Semi Automatic Wash Motor *
	Rear control panel Top Loading Fully Automatic	24	AC Motor : 120 months * Digital Inverter Motor : 240 months *
	Front control panel Top Loading Fully Automatic	24	(Applicable for Rear & Front Control Panel models with Wobble Pulsator) *
	Fully Auto Front Loading	24	Universal motor : 60 months * Digital Inverter Motor : 240 months *

* 18 Months from date of purchase or 12 months from installation, whichever ends early. ** 12 Months from date of commissioning.

In case of parts warranty, labour cost and gas charging (cost if applicable) will be chargeable as per the applicable rates.

Correct disposal of the product (Waste Electrical & Electronic Equipment)

This marking on the product, accessories or literature indicates that the electronic accessories (e.g. charger, headset, and USB cable) should not be disposed with other household waste at the end of their working life.

For more information on safe disposal and recycling visit our website or contact number.

SAMSUNG INDIA ELECTRONICS PRIVATE LIMITED
Registered Address: 6th Floor, DLF Centre, Sansad Marg, New Delhi-110001. Visit : www.samsung.com/in
Samsung Helpline - Call : 1800 40 7267864 (1800 40 SAMSUNG) | 1800 5 7267864 (1800 5 SAMSUNG)

48 English

SAMSUNG

QUESTIONS OR COMMENTS?

COUNTRY	CALL	OR VISIT US ONLINE AT
INDIA	1800 40 7267864 (1800 40 SAMSUNG) (Toll-Free) 1800 5 7267864 (1800 5 SAMSUNG) (Toll-Free)	www.samsung.com/in/support
NEPAL	16600172667 (Toll Free for NTC Only) 9801572667	www.samsung.com/in/support
BANGLADESH	09612300300 08000300300 (Toll free)	www.samsung.com/in/support

This product is RoHS compliant.

English 47