

# Home Theatre System

## Reference Guide



[https://rd1.sony.net/help/ht/2080/h\\_zz/](https://rd1.sony.net/help/ht/2080/h_zz/)

©2024 Sony Corporation  
Printed in Malaysia  
<https://www.sony.net/>



\* 5 0 4 9 8 3 0 2 3 \* (1)

BRAVIA Theatre Quad

Model: YY2080C

Before using the unit, be sure to access the following URL and read the End User License Agreement (EULA). The content of the agreement also applies to speakers (available separately) connected to the unit (unless those speakers have a separate license agreement).  
[https://rd1.sony.net/help/vs/e122/h\\_zz/](https://rd1.sony.net/help/vs/e122/h_zz/)

Model: YY2080C

The term "product" in this document refers to the unit or its accessories.

Do not install the product in a confined space, such as a bookcase or built-in cabinet.

To reduce the risk of fire, do not cover the ventilation opening of the unit with newspapers, tablecloths, curtains, etc. Do not expose the unit to naked flame sources (for example, lighted candles).

To reduce the risk of fire or electric shock, do not expose this product to dripping or splashing, and do not place objects filled with liquids, such as vases, on the product.

The unit is not disconnected from the AC power source (mains) as long as it is connected to the wall outlet, even if the unit itself has been turned off.

The AC adaptor is not disconnected from the AC power source (mains) as long as it is connected to the wall outlet, even if the unit itself has been turned off.

Install the unit so that the power cord can be unplugged from the wall socket immediately in the event of trouble.

As the main plug of the AC adaptor is used to disconnect the AC adaptor from the mains, connect it to an easily accessible AC outlet. Should you notice an abnormality in it, disconnect it from the AC outlet immediately.

For Remote Commander

### CAUTION

Risk of explosion if battery is replaced by an incorrect type.

Dispose of used batteries according to local rules and regulations.

Do not expose the batteries (battery pack or batteries installed) to excessive heat, such as sunshine, fire or the like for a long time.

This product has magnet(s) which may interfere with pacemakers, programmable shunt valves for hydrocephalus treatment, or other medical devices. Do not place this product close to persons who use such medical devices. Consult your doctor before using this product if you use any such medical device.

The nameplate and important information concerning safety are displayed on the bottom of the following:

- the control box
- the speakers
- the AC adaptor

This product must be installed and operated with at least 20 cm separation between the radiating element and the human body (excluding extremities: hands, wrists, feet and ankles).

This unit has been tested and found to comply with the limits set out in the EMC regulation using a connection cable shorter than 3 m.

You are cautioned that any changes or modifications not expressly approved in this manual could void your authority to operate this unit.

For details on the effects of contact with the human body from the mobile phone or other wireless devices connected to the unit, refer to the instruction manual of the wireless device.

Use only the supplied AC adaptor. To avoid damaging the unit, do not use any other AC adaptor.



Disposal of old electrical & electronic equipment (applicable in the European Union and other countries with separate collection systems)

Reduction in the Use of Hazardous Substances in Electrical & Electronic Equipment (Applicable in Republic of India)

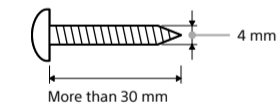
This product and its components, consumables, parts or spares comply with the hazardous substances restriction of India's E-Waste (Management) Rules. The maximum allowable concentrations of the restricted substances are 0.1% by weight in homogenous materials for Lead, Mercury, Hexavalent Chromium, Polychlorinated Biphenyls (PCBB) and Polychlorinated Biphenyl Ethers (PCBDE), and 0.01% by weight in homogenous materials for Cadmium, except for the exemptions specified in Schedule II of the aforesaid Rules.

## Mounting the Speakers on a Wall

### Note

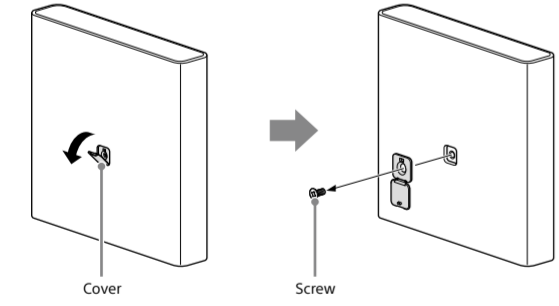
- Make sure to use the supplied wall mounting brackets when mounting the speakers on a wall, and do not mount the speakers on a wall directly. The temperature inside the speakers rises considerably, and it may cause damage or malfunction.
- Prepare screws (not supplied) that are suitable for the wall material and stability. Depending on the wall material, the wall may be damaged.
- Fasten the screws securely in the wall beam.
- Install the wall mounting bracket horizontally on the reinforced wall.
- Have the installation done by a Sony dealer or licensed contractor and pay special attention to safety during the installation.
- Sony shall not be held responsible for accidents or damage caused by improper installation, insufficient wall stability, improper screw installation, natural disasters, etc.
- Do not place the speakers right below the ceiling so as not to block the sound output from the top of the speakers.
- Do not place metal objects near the speakers. Wireless functions may become unstable.
- Do not place any obstacle between the speakers.

- Prepare 16 screws (not supplied) that are suitable for the holes of the wall mounting bracket.



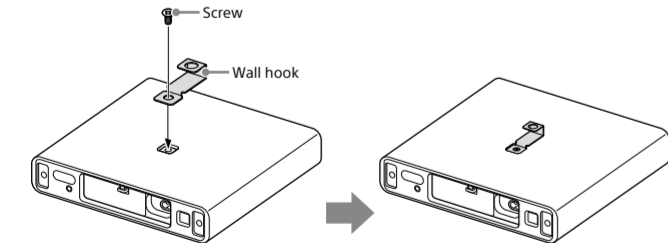
- Remove the cover on the rear of the speaker.

First, open the cover downwards. Next, remove the screw with a screwdriver and then the cover.



- Attach the wall hook (supplied) to the speaker.

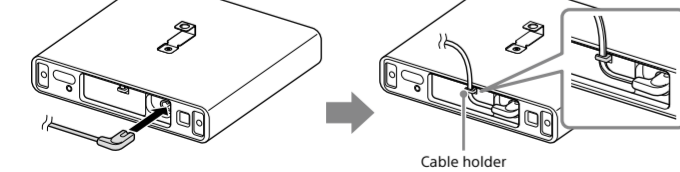
Use the screw that has been removed in step 2 to attach the hook.



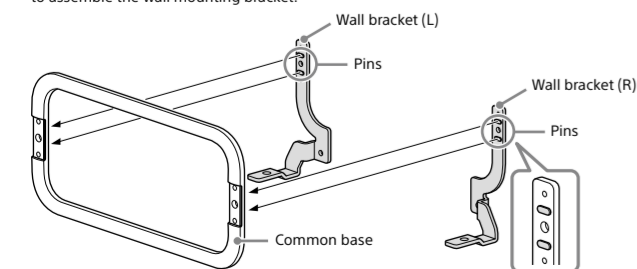
**Note**  
Keep the cover that has been removed in step 2 for use when you do not mount the speaker on a wall.

- Connect the AC power cord (mains lead) for the speaker (supplied) to the speaker.

Fix the power cord connected to the speaker in the cable holder on the bottom of the speaker.

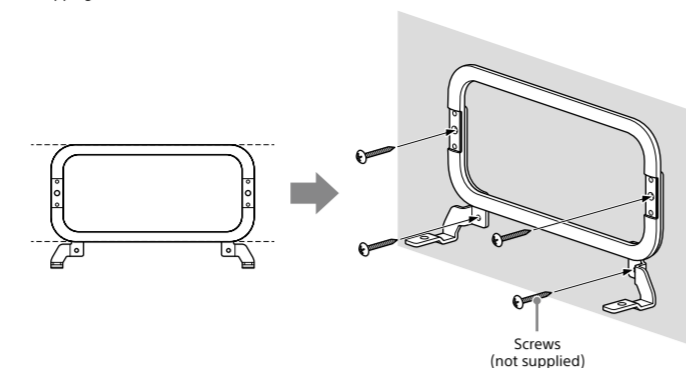


- Insert the pins of the wall bracket (L) and (R) (supplied) in the holes of the common base (supplied) to assemble the wall mounting bracket.



- Decide the wall mounting position of the speaker and install the wall mounting bracket that had been assembled in step 5 in that position.

Install the wall mounting bracket horizontally on the wall. Use the 4 screws (not supplied) that have been prepared in step 1 to install. When you install the wall mounting bracket, hold it down to avoid dropping the wall bracket.



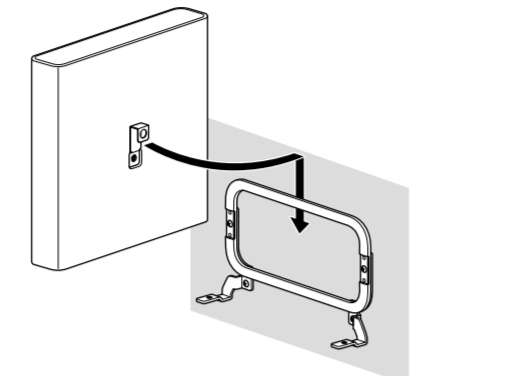
- Confirm the type of the speakers.

Check the label on the bottom of the speaker to make sure it matches the installation position.

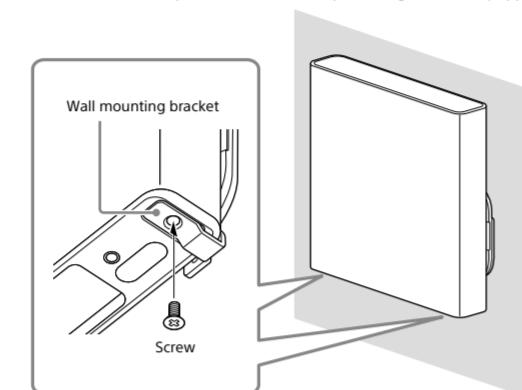
- FRONT L: Front left
- FRONT R: Front right
- REAR L: Rear left
- REAR R: Rear right

- Hang the speaker on the wall mounting bracket.

Hang the wall hook on the rear of the speaker on the bracket.



- Align the positions of the screw holes on the bottom of the speaker and holes of the wall mounting bracket, then fix the speaker to the bracket by fastening the screws (supplied) securely.



- Connect the AC power cord (mains lead) connected with the speaker to the AC outlet (mains).

### Licenses

- Dolby, Dolby Vision, Dolby Atmos, and the double-D symbol are registered trademarks of Dolby Laboratories Licensing Corporation.
- Manufactured under license from Dolby Laboratories. Confidential unpublished works. Copyright © 2012–2021 Dolby Laboratories. All rights reserved.
- For DTS patents, see <http://patents.dts.com>.
- Manufactured under license from DTS, Inc. DTS, DTS-X, and DTS:X logo are registered trademarks or trademarks of DTS, Inc. in the United States and other countries. © 2021 DTS, Inc. ALL RIGHTS RESERVED.
- This product contains software that Sony uses under a licensing agreement with the owner of its copyright. We are obligated to announce the contents of the agreement to customers under requirement by the owner of copyright for the software. Please access the following URL and read the contents of the license.  
<https://rd1.sony.net/help/ht/e123/c/>
- The software included in this product contains copyrighted software that is licensed under the GPL/LGPL, and other licenses which may require access to source code. You may find a copy of the relevant source code as required under the GPL/LGPL (and other licenses) at the following URL.  
You may obtain the source code as required by the GPL/LGPL on a physical medium from us for a period of three years after our last shipment of this product by applying through the form at the following URL.  
This offer is valid to anyone in receipt of this information.  
<https://oss.sony.net/Products/Linux/>  
Please note that Sony cannot answer or respond to any inquiries regarding the content of this source code.
- The Spotify Software is subject to third party licenses found here:  
<https://www.spotify.com/connect/third-party-licenses>

### Disclaimer regarding services offered by third parties

- Services offered by third parties may be changed, suspended, or terminated without prior notice. Sony does not bear any responsibility in these sorts of situations.

## Precautions

- Before operating the unit, check that the operating voltage is identical to your local power supply. The operating voltage is indicated on the nameplate on the bottom of the unit.
- The supplied AC adaptor is designed exclusively for this unit. It should not be used in combination with any other devices.
- The supplied AC power cord (mains lead) is designed exclusively for this unit. It should not be used in combination with any other devices.
- Completely disconnect the AC power cord (mains lead) from the AC outlet (mains) if it is not going to be used for an extended period of time. When unplugging the AC power cord (mains lead), always grip the plug. Never pull the cord itself.
- AC power cord (mains lead) must be changed only at a qualified service shop.

### On placement

- Should any solid object or liquid fall into the unit, unplug the unit and have it checked by qualified personnel before operating it any further.
- Do not place the unit near heat sources or in a place subject to direct sunlight, excessive dust, or mechanical shock.
- The speakers of this unit are not of magnetically shielded type. Do not place magnetic cards on the unit or near it.
- Do not place metal objects other than a TV around the unit. Wireless functions may be unstable.
- Although the unit heats up during operation, this is not a malfunction.
- Place the unit in a location with adequate ventilation to prevent heat buildup and prolong the life of the unit.
- Use caution when placing the unit on a surface that has been specially treated (with wax, oil, polish, etc.), as staining or discoloration of the surface may result.

### How to care for the unit

- Clean the unit with a soft, dry cloth. Do not use any type of abrasive pad, scouring powder, or solvent such as alcohol or benzene.

### On BLUETOOTH® communications

- Microwaves emitting from a BLUETOOTH device may affect the operation of electronic medical devices. Turn off this unit and other BLUETOOTH devices in the following locations, as it may cause an accident:
  - in hospitals, near priority seating in trains, locations where inflammable gas is present, near automatic doors, or near fire alarms.

### Turning the BLUETOOTH and Wireless LAN functions on/off

- Press the INPUT (Input),  $\leftarrow$  (Volume –), and  $\left\langle$  (Muting) in that order on the supplied remote control, displaying [RFOFF] on the front panel display of the unit, to turn off the BLUETOOTH and Wireless LAN functions.
- Press the INPUT (Input),  $\leftarrow$  (Volume –), and  $\left\langle$  (Muting) again in that order on the supplied remote control, displaying [RF ON] on the front panel display of the unit, to turn on the BLUETOOTH and Wireless LAN functions.

### Notes on transferring/disposing

- Be sure to reset the unit, deleting private information and setting information before transferring/disposing.
- If the unit is transferred or disposed without resetting, private information may be inspected by a third person and abused.
- For details of the resetting method, refer to Help Guide.

### Other notes

- Disabling the [Auto Standby] function may increase the power consumption because the product will not turn off automatically when not being used.
- Internet Connection and IP address**  
Technical data such as IP address (or device details) is used when this product is connected to the internet for software update or receiving third party services. For software updates, these technical data may be communicated to our update servers in order to provide you with the software update appropriate to your device. If you do not want such technical data to be used at all, do not set-up the wireless internet function and do not connect an internet cable.
- When connecting the unit to the Internet, use the router (ADSL modem or optical line termination device with the router function supplied with the Internet provider, or Wi-Fi access point). If you connect to the Internet without using the router, a security problem may occur. If you are not sure that the wall outlet for the network line has the router function, ask your manager of the apartment house or Internet provider.
- If you have any questions or problems concerning this unit that are not covered in this manual, please consult your nearest Sony dealer.

## Trademarks

- LDAC and LDAC logo are trademarks of Sony Group Corporation or its affiliates.
- The BLUETOOTH® word mark and logos are registered trademarks owned by Bluetooth SIG, Inc. and any use of such marks by Sony Group Corporation and its subsidiaries is under license.
- The terms HDMI™, HDMI High-Definition Multimedia Interface, HDMI Trade dress and the HDMI Logos are trademarks or registered trademarks of HDMI Licensing Administrator, Inc.
- Wi-Fi®, Wi-Fi Protected Access® and Wi-Fi Alliance® are registered trademarks of Wi-Fi Alliance.
- Wi-Fi CERTIFIED™, WPA™, WPA2™, and WPA3™ are trademarks of Wi-Fi Alliance.
- Spotify and Spotify logos are registered trademarks of Spotify AB.
  - Spotify service may not be available in some countries/regions. Please visit [support.spotify.com](https://support.spotify.com) for more information.

All other trademarks and registered trademarks are trademarks or registered trademarks of their respective holders. In this manual, TM and ® marks are not specified.

## Specifications

### Speakers (YY2080C2/YY2080C3/YY2080C4/YY2080C5)

The following descriptions are the specifications per speaker.

#### Amplifier section

**POWER OUTPUT (rated)**  
 Top speaker: 25 W (at 6 ohms, 1 kHz, 1 % THD)  
 Tweeter: 25 W (at 6 ohms, 10 kHz, 1 % THD)  
 Midrange speaker: 25 W (at 6 ohms, 1 kHz, 1 % THD)  
 Woofer: 25 W (at 5 ohms, 100 Hz, 1 % THD)  
**POWER OUTPUT (reference)**  
 Top speaker: 31.5 W (at 6 ohms, 1 kHz)  
 Tweeter: 31.5 W (at 6 ohms, 10 kHz)  
 Midrange speaker: 31.5 W (at 6 ohms, 1 kHz)  
 Woofer: 31.5 W (at 5 ohms, 100 Hz)

#### General

**Power requirements**  
 220 V - 240 V AC, 50 Hz/60 Hz  
**Power consumption**  
 On: 20 W  
 Standby mode: 1.1 W or less  
 Turned off: 0.5 W or less\*  
 \* When you press and hold the LINK for 2 seconds or more and then release your finger, the speaker shifts to the power off mode and the power indicator is turned off. Press the LINK to use the speaker again.  
**Dimensions\* (approx.) (w/h/d)**  
 Speaker:  
 289 mm × 275 mm × 55 mm  
 Speaker with the table stand:  
 289 mm × 306 mm × 129 mm  
 Speaker with the wall mounting bracket:  
 289 mm × 279 mm × 73 mm  
 \* Not including projection portion  
**Mass (approx.)**  
 Speaker:  
 2.4 kg  
 Speaker with the table stand:  
 2.6 kg  
 Speaker with the wall mounting bracket:  
 2.7 kg

### Control Box (YY2080C1)

#### HDMI section

Connector  
 Type A (19pin)

#### LAN section

LAN(100) terminal  
 100BASE-TX Terminal

#### Wireless LAN section

Communication system  
 IEEE 802.11 a/b/g/n/ac

Frequency band  
 2.4 GHz, 5 GHz

#### BLUETOOTH section

Communication system  
 BLUETOOTH Specification version 5.2

Frequency band  
 2.4 GHz band (2.400 0 GHz - 2.483 5 GHz)

#### General

**Power requirements**  
 DC 12 V (using the supplied AC adaptor connected to AC 100 V - 240 V, 50 Hz/60 Hz power supply)  
**Power consumption**  
 On: 13 W  
 [Network/Bluetooth Standby] is set to ON: 2.8 W or less  
 [Network/Bluetooth Standby] is set to OFF: 0.5 W or less\*  
 \* When [Standby Through] is set to OFF, or [Standby Through] is set to [Auto] while the connected TV is turned off.

**Dimensions\* (approx.) (w/h/d)**  
 160 mm × 56 mm × 160 mm  
 \* Not including projection portion

**Mass (approx.)**  
 170 g

#### Wireless Transmitter/Receiver Section

Communication system  
 Wireless Sound Specification version 4.0

Frequency band  
 5 GHz

5 GHz

## Included Items

- Control box (1)
- Speaker (FRONT L) (1)
- Speaker (FRONT R) (1)
- Speaker (REAR L) (1)
- Speaker (REAR R) (1)
- Remote Control (1)
- Battery (2)
- Common base (4)
- Table stand leg (8)
- Table stand screw (8)
- Wall bracket (L) (4)
- Wall bracket (R) (4)
- Wall hook (4)
- Screw (8)
- HDMI cable (4K, 8K transmission supported) (1)
- TV center speaker mode cable (1)
- Documents (1 set)
- AC adaptor (AC-MT215NW) (1)
- AC power cord (mains lead) (1)
- AC power cord (mains lead) for the speaker (4)

Design and specifications are subject to change without notice.



COMPATIBLE WITH

