



PHILIPS

HP8302, HP8303
BHS216, BHS224
BHS252, BHS264,
BHS286



English

Congratulations on your purchase, and welcome to Philips! To fully benefit from the support that Philips offers, register your product at www.philips.com/welcome.

1 Important

Read this user manual carefully before you use the appliance and keep it for future reference.

- This appliance can be used by children aged from 8 years and above and persons with reduced physical, sensory or mental capabilities or lack of experience and knowledge if they have been given supervision or instruction concerning use of the appliance in a safe way and understand the hazards involved. Children shall not play with the appliance. Cleaning and user maintenance shall not be made by children without supervision.
- When the appliance is used in a bathroom, unplug it after use since the proximity of water presents a hazard, even when the appliance is switched off.
- For additional protection, we advise you to install a residual current device (RCD) in the electrical circuit that supplies the bathroom. This RCD must have a rated residual operating current not higher than 30mA. Ask your installer for advice.
- **WARNING:** Do not use this appliance near bathtubs, showers, basins or other vessels containing water.
- The supply cord cannot be replaced. If the supply cord is damaged, you must have the appliance replaced by Philips, a service center authorized by Philips or similarly qualified persons in order to avoid a hazard.
- **WARNING:** Do not use this appliance near water.
- Always unplug the appliance after use.
- Do not pull on the supply cord after using. Always unplug the appliance by holding the plug.
- Before you connect the appliance, ensure that the voltage indicated on the appliance corresponds to the local power voltage.
- Do not use the appliance for any other purpose than described in the user manual.
- Do not use the appliance on artificial hair.
- When the appliance is connected to the power, never leave it unattended.
- Never use any accessories or parts from other manufacturers or that Philips does not specifically recommend. If you use such accessories or parts, your warranty becomes invalid.
- Do not wind the supply cord round the appliance.
- Wait until the appliance has cooled down before you store it.
- Do not operate the appliance with wet hands.
- Always return the appliance to a service center authorized by Philips for examination or repair. Repair by unqualified people could cause an extremely hazardous situation for the user.
- Do not connect the appliance with a plug adapter. If really necessary, only use a certified plug adapter.
- Pay full attention when using the appliance since it could be extremely hot. Only hold the handle as other parts are hot and avoid contact with the skin.
- Prevent the supply cord from coming into contact with the hot parts of the appliance.
- Never cover the appliance with anything (e.g. a towel or clothing) when it is hot.



- Keep the heating plate/barrel clean and free of dust and styling products such as mousse, spray and gel. Never use the appliance in combination with styling products.
- The heating plate/barrel has coating. This coating might slowly wear away over time. However, this does not affect the performance of the appliance.
- If the appliance is used on color-treated hair, the heating plate/barrel may be stained.
- Always place the appliance with the stand on a heat-resistant, stable flat surface. The hot heating plate/barrel should never touch the surface or other flammable material.
- Keep the appliance away from flammable objects and material when it is switched on.
- Only use the appliance on dry hair.
- Do not insert metal object into openings (e.g. ionizer outlet if present) to avoid electric shock.
- Burn hazard. Keep appliance out of reach from young children, particularly during use and when it is cooling down.

Electromagnetic fields (EMF)

This Philips appliance complies with all applicable standards and regulations regarding exposure to electromagnetic fields.

Recycling

- This symbol means that electrical products shall not be disposed of with normal household waste.
- Follow your country's rules for the separate collection of electrical products.



Specifications are subject to change without notice
© 2023 Koninklijke Philips N.V.
All rights reserved.



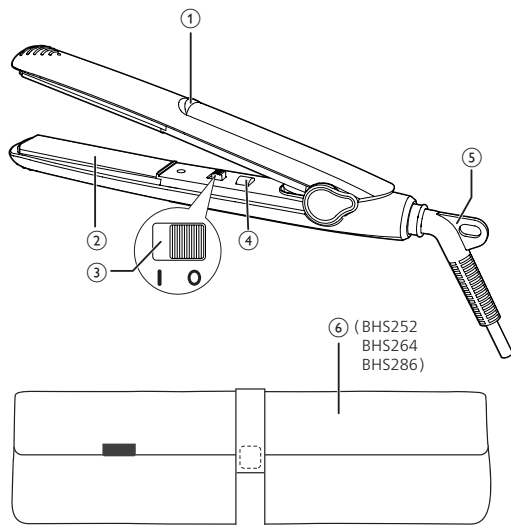
3140.035.4000.8 (27/12/2023)

>75 % recycled paper





Always there to help you
 Visit us at <https://www.philips.co.in/>
 Contact at: 1860 180 1111, 1800 102 2929
 Or customercare.india@philips.com



2 Straighten your hair

- 1 Connect the plug to a power supply socket.
- 2 Slide the on/off switch (3) to **I** to switch on the appliance.
 - ↳ The power-on indicator (4) lights up.
 - ↳ After 60 seconds, the appliance heats up.
- 3 Comb your hair and take a section that is not wider than 5cm for straightening.
- 4 Place the selected hair strand between the straightening plates (2) and press the handles firmly together.

Warning

- Hold the handle only behind the thumb rest rib (1).
- Do not touch the tips of the straightener as it is hot and may cause instant burns.
- Do not touch other parts until it was completely cool down.

- 5 Slide the straightener down the length of the hair in a single motion (max. 5 seconds) from root to end, without stopping to prevent overheating.
- To create flicks, slowly turn the straightener half-circle inwards (or outwards) when it reaches the hair ends.
- 6 To straighten the rest of your hair, repeat steps 3 to 5.

3 After use

- 1 Switch off the appliance and unplug it.
- 2 Place it on a heat-resistant surface until it cools down.
- 3 Clean the appliance and straightening plates by damp cloth.
- 4 Keep it in a safe and dry place, free of dust. You can also hang it with the hanging loop (5) or store it with the supplied pouch (6), BHS252, BHS264, BHS286 only.

4 Support

For all product support such as frequently asked questions, please visit www.philips.com/support.

PHILIPS

Warranty card

Serial No.:

Dealer's Name: _____

Dealer's Stamp: _____

Customer's Name and Address: _____

Model No. _____

Bill No. _____ Amount: _____

Date of Purchase _____

Dealer Signature _____

Warranty and Service

For any information or problem, contact your local Philips dealer or authorized service center. For a list of authorized Philips service centers visit: www.philips.com or contact our consumer care at 1800 102 2929 (Toll free) or 1860 180 1111 (standard call rates apply)

All consumables and parts susceptible to normal wear and tear are not covered under warranty.

Warranty Card

This apparatus is covered under warranty against any defect due to defective material or workmanship for TWO YEARS from the date of purchase. Should a defect develop during the period of warranty, PHILIPS INDIA LTD. undertakes to repair the apparatus FREE OF CHARGE at any of the Philips authorized Service Centres.

The warranty is not valid in case:

1. Apparatus is not used according to user manual.
2. Defects caused by improper or reckless use.
3. Repairs done by persons other than Philips Authorized service centre.
4. Modifications of any nature made in the apparatus.
5. Tampered serial number.
6. Incomplete warranty card after purchase.
7. Product if used for commercial purpose (i.e. other than domestic use).
8. Usage of parts not recommended by Philips or those made by other manufacturers.

PHILIPS INDIA LIMITED,
 3rd FLOOR, TOWER A, DLF IT PARK, 08 BLOCK AF,
 MAJOR ARTERIAL ROAD, NEW TOWN (RAJARHAT),
 KOLKATA-700156, WEST BENGAL

