

ILIFE

User Manual

Robotic vacuum
Cleaner Model: V5x

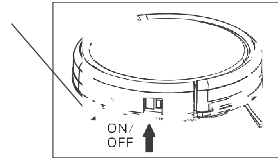


www.iliferobot.com

Important Tips

How to use

- Before using the robot, please ensure the power switch is on. Take a few moments to survey the area to be cleaned and remove any obstacles.
- The robot will pass over the same area of the floor multiple times to ensure thoroughly clean.
- The spinning brushes may flick small granule (dog food, cat litter) here and there, but finally the robot will vacuum them all in within few minutes.
- Before replacing side brushes, check and match "L" "R" mark on both side brush and bottom of robot.
- When you set the clock time or schedule, the final operation will be confirmed by beep from robot. If no tone received, your setting is unsuccessful.
- Empty the dustbin. You could notice the robot vacuum less, even spits out. when the dustbin is full, though there is no any warning beep sound.



For Best Performance

- Empty V5x's dustbin and clean its filter after every use.
- Filter could not be washed by water.
- Replace new Filter when you notice V5x vacuum gets weaker and pick up less than before.

- Put charging dock against the wall and remove obstacles about 1 meter at two sides and about 2 meters forward.

- Fully charge robot's battery before each cleaning cycle.

Battery Life

To extend V5x's battery life and keep its cleaning at peak performance:

- Charge the robot overnight before first time use.
- Recharge the robot as soon as possible. Waiting several days to recharge may damage the battery.
- If the robot is not used for long time, please turn off the power switch

Note: Warning: The product contains electronic parts. DO NOT submerge V5x or spray it with water, clean with a dry cloth only.

For More detailed information, please visit: www.iliferobot.com

Table of Contents

Safety Instruction.....	4
Product Composition.....	5
List of Accessories.....	5
Robot Anatomy.....	6
Dustbin.....	7
Charging Dock.....	7
Remote Control.....	7
CLEAN Button Status.....	8
How to us.....	9
Remote Control Operation.....	9
Getting Started.....	10
Start/Pause/Sleep.....	11
Schedule.....	12
Cleaning Mode.....	13
App Download.....	14
Maintenance.....	15
Cleaning Side Brushes.....	15
Cleaning Dustbin and Filter.....	15
Cleaning Cliff Sensors And Auto Charging Pins.....	15
Nose Wheel Clean Up.....	16
Trouble shooting.....	17
Error Code Sheet.....	17
Error Appearance.....	18
Product Specifications.....	19
Annex Operation Manual.....	20

For More detailed information, please visit: www.iliferobot.com

ILIFE

Safety Instructions

Before using the robot, please read and follow the below safety instructions and precautions.

- Read through this user manual carefully before using the robot.
- Retain this user manual.
- Any operation that is not described in this user manual may injure the users and cause product damage.

WARNINGS

1. Only certified technicians may disassemble the robot. Users must not disassemble or repair the robot.
2. Use factory authorized adapter only. Using nonspecific adapter may cause electric shock, fire or robot damage.
3. Do not touch the power cord, plug or adapter with wet hands.
4. Do not allow clothes or any part of your body to be drawn into the robot's wheels.
5. Do not place the robot near cigarette, lighter, matches or other flammables.
6. Clean the robot after charging finishes.
7. Do not over-bend the power cord or pressure the power cord with heavy or sharp objects.
8. Do not use the robot outdoor.
9. Do not sit on the robot or attach any object on it.

For More detailed information, please visit: www.iliferobot.com

10. Before using the robot, remove all fragile objects (textile, glass, lighting, etc.) and other objects that could get caught in the brushes or suction opening (cords, clothing, papers, drapes, blind, etc.) on the floor.
11. Do not place the robot where it could easily fall off (tables, chairs, etc.).
12. Turn off the power switch during transportation or when the robot will not be used for a long time.
13. To avoid battery damage, check if the adapter and outlet are properly connected before using the robot.
14. To avoid tripping, make sure everyone in the house knows the robot is working.
15. Use the robot in environment between -10° and 40° Celsius.
16. Do not place the robot in high-temperature environment.
17. Before scrapping the battery, remove it from the robot.
18. Disconnect electricity supply before removing the battery.
19. The battery is to be disposed of safely according to local regulations.

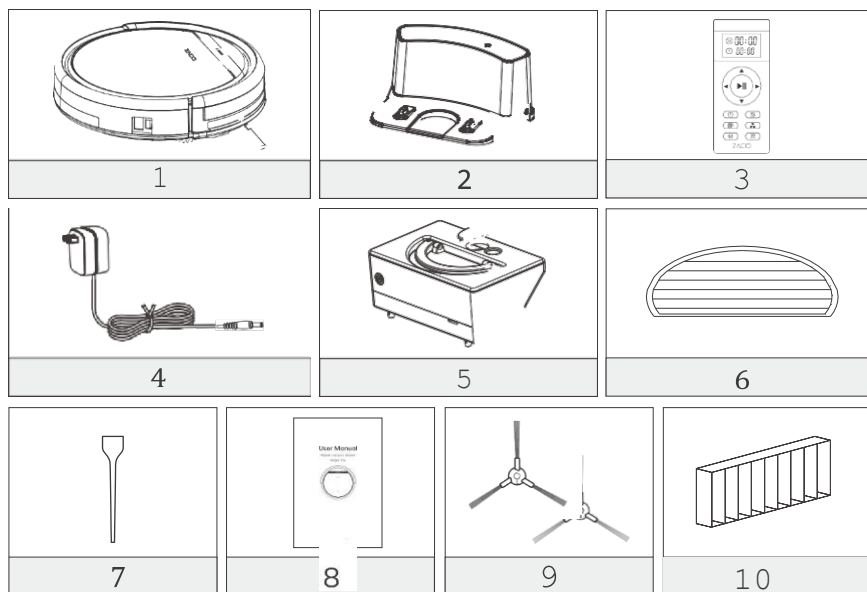
NOTE:

This robot should not be used by children, mentally challenged people or people who lack related experience and background knowledge (unless they are under proper supervision).

Product Composition

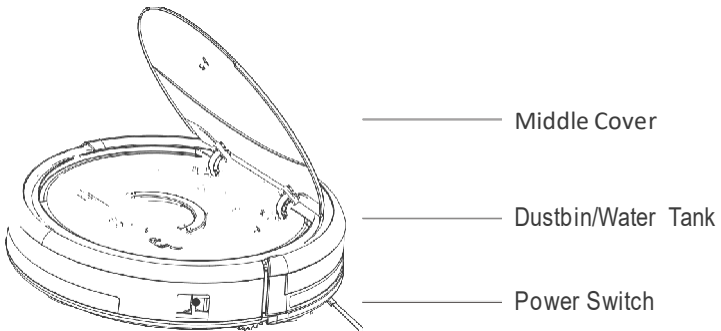
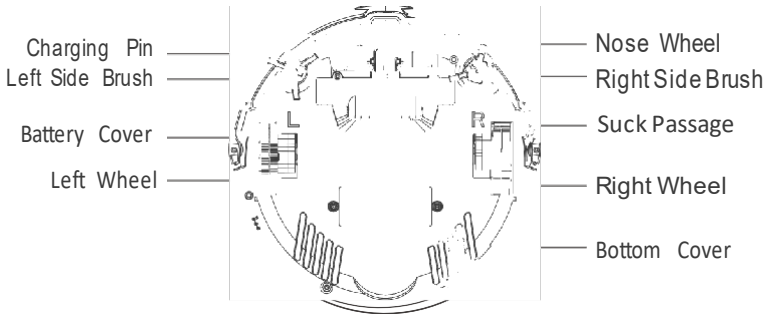
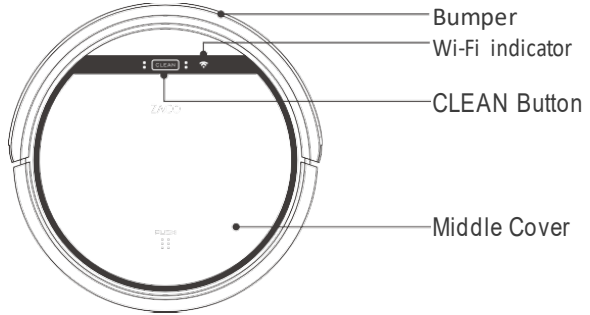
List of Accessories

Serial Number	Description	Q'ty
1	Main Body (battery included)	1
2	Charging Dock	1
3	Remote Control (battery not included)	1
4	Power Adapter	1
5	Water Tank	1
6	Mop Cloth	1
7	Cleaning Tool	1
8	User Manual	1
9	Extra Side Brushes	2
10	High Performances Filter	2



Product Composition

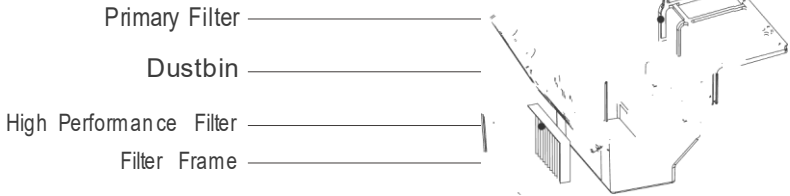
Robot Anatomy



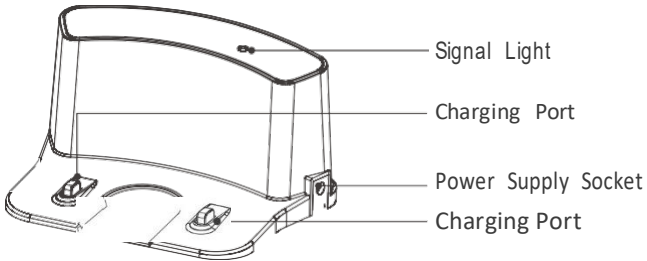
For More detailed information, please visit: www.iliferobot.com

Product Composition

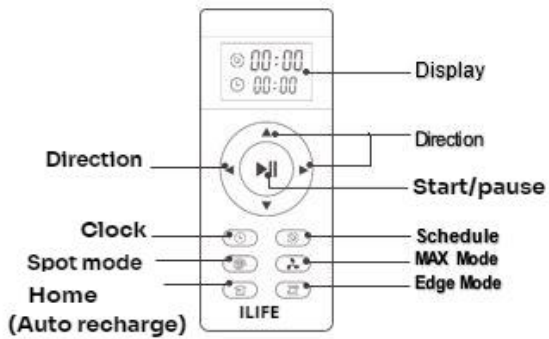
Dustbin



Charging Dock



Remote



Product Composition

CLEAN button status

Robot Status	Light status
Charging	The lower and upper indicators flash quickly.
Charging finished	All indicators are on.
In selected mode	The lower and upper indicators fade in and out.
When robot in error	The lower and upper indicators flash gradually.
Low battery	The lower indicator flashes.
In home mode	The lower indicator fades in and out.
In cleaning mode	The upper indicator is constantly on.
In edge mode	The upper indicator is constantly on, The lower indicator flashes.
In spot mode	The lower indicator is constantly on, The upper indicator flashes.
Distribution mode	Wi-Fi indicator flashes.
Distribution network success	Wi-Fi indicator is constantly on.

For More detailed information, please visit: www.iliferobot.com

ILIFE

How to Use

Remote control operating

1. "▶||" Starting up/Pause

- To start cleaning in selected mode.
- To stop current cleaning cycle.
- To change from sleep mode to selected mode.

2. Direction Buttons

A. "▲" Button

- To increase minute and hour setting in schedule or clock mode.
- To move robot forward in selected mode.
- To stop the robot when it hits against objects.

B. "▼" Button

- To decrease minute and hour setting in schedule or clock mode.

C. "◀" Button

- To change from minute to hour in schedule or clock mode.
- To turn the robot left.

D. "▶" Button






- To change from hour to minute in schedule or clock mode.
- To turn the robot right.

3. "⊗" Plan

- To enter schedule mode when robot is in selected mode.
- To confirm cleaning schedule.



For More detailed information, please visit: www.iliferobot.com

4. “  ” Clock
 - To enter clock mode when robot is in selected mode.
 - To confirm time setting.
5. “  ” Home
 - To return robot to charging dock.
6. “  ” Edge
 - To clean along the edge of the walls.
7. “  ” Spot
 - To clean specific areas
8. “  ” MAX
 - To maximize vacuuming power.

Note:

1. Place two AAA batteries into the remote control.
2. Remove batteries if the remote control will not be used for a long time.

ILIFE

How to Use

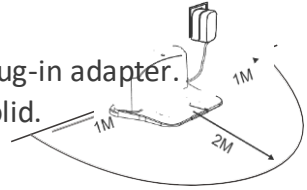
1. Getting started

1>. Place charging dock on the floor and plug-in adapter.

Signal light on charging dock will turn solid.

Note:

Put charging dock against a wall and remove obstacles about 1 meter on both sides and about 2 meters in front.



1>

2>. Display panel will flash after the power switch(near the power socket) is turned on.

(If no command is received, the robot will switch to sleep mode after 10min)

Note:

A. Always keep the power switch on, otherwise the robot will not work.

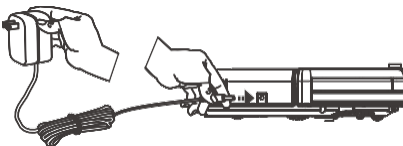
B. If power switch is turned off, all scheduled cleaning will be lost. Caution:

Before charging the robot, make sure the power switch is turned on.

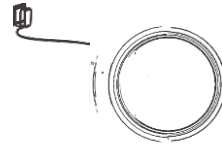
3>. Robot can be recharged by:

A. plugging into an electrical outlet;

B. pressing (HOME) button on remote control — the robot will return to charging dock for auto recharge.



A



B

Extending battery life:

- A. Before first use, charge the robot overnight. When charging finishes, all lights will turn on.
- B. Always place the robot on the charging dock that is connected to power.
- C. If the robot will not be used for a long time, fully recharge it and turn off the power switch before storing it in a cool, dry place.

4>. Auto charging: The robot will automatically return to charging dock when battery runs low.

For More detailed information, please visit: www.iliferobot.com

ILIFE

How to Use

2. Start/Pause/Sleep

Sleep mode: robot is not working, light at CLEAN button is off and power switch is on.

Selected mode: robot is not working, blue light at CLEAN button fades in and out. Cleaning mode: robot is working, blue light at CLEAN button turns solid.

1>. Starting up

- A. Make sure the power switch is on.
- B. Press CLEAN button on robot or remote control to start cleaning.

Note: If robot is in sleep mode, press CLEAN button to restart it from sleep mode.

Press CLEAN button again to start the cleaning cycle.

2>. Pause

Press CLEAN button on robot or remote control to change from Clean mode to selected mode.

Note: When robot is paused, press CLEAN button to restart the cleaning cycle.

3>. Sleep

Change from selected mode to sleep mode:

Robot automatically enters sleep mode if no command is received after 10 mins.

For More detailed information, please visit: www.iliferobot.com

ILIFE

How to Use

3.Schedule

You can schedule to let the robot start cleaning from a certain time.
Note:

Remember to set the clock time and schedule once replace the remote-control battery. Once the clock time is set, any scheduling you have set will make robot work on the scheduled time.

Setting the clock time

1. Point the remote control at robot (make sure the power switch is on).
2. Press CLOCK and then use directional buttons to set the correct time.
3. Press CLOCK to save the setting. To cancel the schedule, please turn off the robot.

Setting a schedule

The robot will always work at the scheduled time unless power switch of the robot is turned off.

1. Point the remote towards the robot.
2. Press PLAN and then use directional buttons to set the schedule.
3. Press PLAN to save the setting. To cancel the schedule, please turn off the robot.

Note:

When you set the clock time or schedule, the final operation will be confirmed by beep from robot; If no tone received, your setting is unsuccessful.

How to Use

4. Cleaning mode

1>. Auto cleaning

The robot will clean a room automatically and adjust its cleaning according to the situation.

Note: Press CLEAN button on robot or remote control to start Auto Cleaning.

2>. Spot cleaning

A. Press Spot on the remote towards the robot when the robot is working.

The robot will circle around and turn into Auto clean mode after Spot clean is finished.

B. Press Spot on the remote towards the robot when the robot is in selected mode and the robot will begin to circle around. The robot will turn into selected mode after Spot clean is finished.

3>. Edge cleaning

Put the robot near the edge (wall) and press EDGE on remote control to start edge cleaning.

Note: Edge cleaning will automatically stop when robot could not detect any edges. or you could manually press CLEAN to stop edge cleaning.

Maintenance

1. Cleaning side brushes

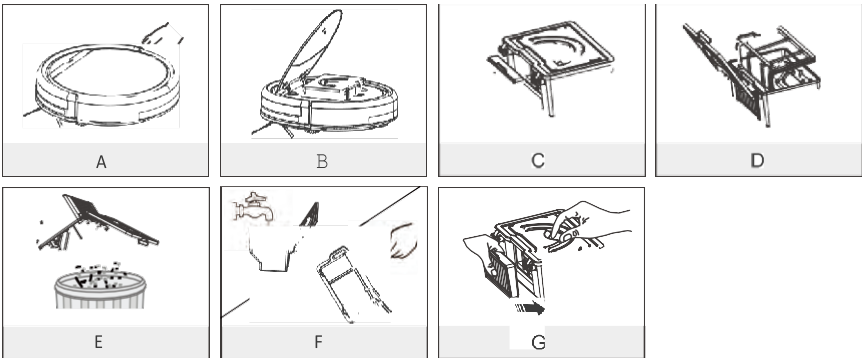
Clean the side brushes when it gets dirty and replace if it's are damaged.

Note: Before replacing side brushes, check and match "L" "R" marks on both and bottom of robot.

2. Cleaning dustbin and filter

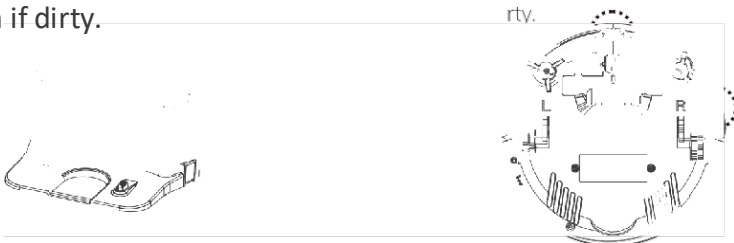
Clean and empty dustbin after each use, steps are as shown in below figures.

- After taking dustbin, check whether there is foreign matter stuck in suck passage and clean it.
- Clean Filter after 15-30 days of use. And replace it after use for 6 months at maximum.
- Install both Filter and primary filters when they are dry.
- Filter and primary filter could be replaced if needed.



3. Cleaning cliff sensors and auto charging pins

Slightly clean the sensor window and onto charging pins with a soft dry cloth. Note: Charging pins on charging dock need to clean if dirty.

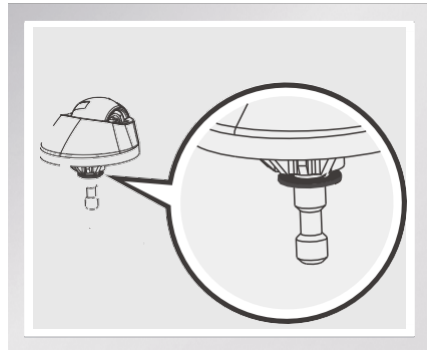
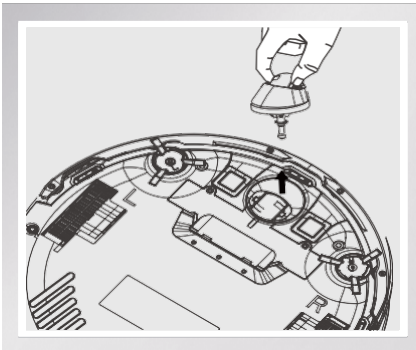


Maintenance

4. Nose wheel clean up

When there is foreign matter in nose wheel, it will affect the cleaning performance, please clean it follow the way below:

- (1) Pull the wheel up vertically and clean it. Please note whether the gasket is off.
- (2) It should be noted that whether the gasket is installed well after clean the nose wheel.






For More detailed information, please visit: www.iliferobot.com

Trouble shooting

1. Error code sheet

When the robot meets with some routine troubles, it will remind you by beep.

- Short tone

NO.	Tone	Cause	Solution
01		Wheels or side brushes no work	check wheels or side brushes
02		Cliff sensor or bumper sensor failure	Clean cliff sensor and shake bumper slightly, check whether there is foreign matter
03		Main body gets stuck	Move main body and start again

For More detailed information, please visit: www.iliferobot.com

Error appearance	Likely Cause	Solution
Circle around a small area	Side wheels are jammed	- Remove hair and debris from side wheels. - While reinstalling, push the wheels in and out to make sure they can rotate freely. - Restart robot in another spot.
Keep moving backward	Cliff sensor is dirty or broken	Check cliff sensor lens. Clean or replace it if needed.
Bump into obstacles repeatedly	The bumper is stucked	Tap the bumper 10-20 times to remove debris lodged in it. Loosen the screw of the bumper.
Working time shortened	- Battery capacity dropped - Robot is not fully charged	- Replace battery - Recharge robot
CLEAN button light is off while charging	- Hair or small debris stuck in charging pins. - Robot is not properly connected to charging pins.	- Clean charging pins - Check if robot is connected to charging pins
Pick up less dirt and debris	Filter is dirty or wet	Clean or replace filter
Spit out litter	Dustbin is full	Empty the dustbin
Robot doesn't start at scheduled time	- Schedule was not saved successfully - Schedule was canceled after you restarted robot - Power Switch is off - Battery is low - Debris jammed in components	- Reset schedule. Wait for a beep to confirm completion of scheduling. - Turn on power switch on robot - Keep the robot's power switch on and put it on charging dock to make sure robot is fully charged for the next job - Turn off the power switch on robot and empty the dustbin - Clean side brushes and main brushes

2. Error appearance

Product Specifications

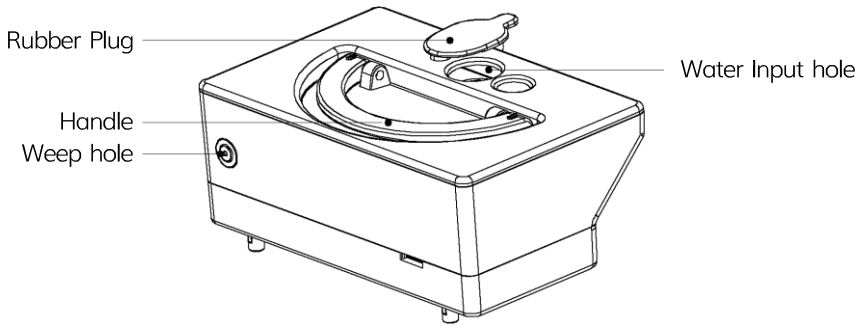
Classification	Item	Detail
Mechanical Specifications	Diameter	300mm
	Height	81mm
	Weight	2.24kg
Electrical Specifications	Voltage/Power	14.4V/22W
	Battery type	Li-ion
Cleaning Specifications	Dustbin capacity	0.3L
	Charging type	Auto Charging / Manual Charging
	Cleaning mode	Auto, Spot, Edge, Daily Schedule
	Charging time	4350 mins
	Cleaning time	About 90 mins
Main Body Button Type		Touch button

Remark: The storage temperature of this product is between -10°C and 40°C.

For More detailed information, please visit: www.iliferobot.com

Annex-operation manual

(For model with water tank only)



1. Dry clean is made with dustbin, and wet clean is made with water tank.
2. The mop bracket with mop should be on the robot when the water tank is used.
3. Pouring the water into the water tank.
4. Open the robot lid and put the water tank onto the body, the weep hole of the water tank should be aligned with the weep hold on the robot body.
5. Close the robot lid, press CLEAN button to start the wet cleaning, There is no vacuum suction function during the wet cleaning.
6. It is suggested to make the suction (dry clean) before wet clean for a better cleaning result.
7. The water in the water tank is flow out automatically. so it is prohibited to let water tank be still inside or outside of the robot when there is still water in the tank. This will cause the water logging on floor.
8. Please take out the water tank when you charge the robot vacuum cleaner.

For More detailed information, please visit:

www.iliferobot.com