

# Commercial Robot Vacuum Cleaner User Manual



# Contents

1. Safety Instructions.....	3
2. Product Parts.....	5
2.1 Main Body .....	5
2.2 Parts List.....	7
3. Product Operation.....	8
3.1 Preparation Before Using.....	8
3.2 Charging Mode.....	8
3.3 Charging.....	9
3.4 Switch.....	10
3.5 Pause.....	10
3.6 Mode Selection.....	11
4. APP Download and Usage Instructions.....	11
4.1 Registered Account.....	11
4.2 Way Connecting Robot toWIFI.....	12
4.3 Unbinding Robot.....	15
4.4 Control Robot.....	16
5. Maintenance.....	17
5.1 Side Brush Maintenance.....	17
5.2 Roller Brush Maintenance.....	17
5.3 Dust Bin and Filters Maintenance.....	18
5.4 Filter Screen Cleaning.....	19
5.5 Cliff Sensors and Charging Pins Cleaning .....	19
5.6 Replace The Accessories Regularly .....	20
6. Technical Parameter.....	21

# 1. Safety Instructions

Before using the electrical appliance, basic precautions should always be followed.

**READ ALL INSTRUCTIONS BEFORE USING THIS APPLIANCE. PLEASE SAVE THESE INSTRUCTIONS.**

## About Safety

1. This device is not suitable to be used by children under 8 years old and people with physical or emotional disabilities. If to use, please operate the device under the supervision of the guardian. Please don't let the child sit on the robot and play the robot as a toy.
2. Please remove obstacles before using the robot. Such as power cord and other items. Please fold the edge of the carpet under the carpet. And also do not let the curtain and tablecloth touch the floor.
3. If there are environment like stairs, please test the robot to see if it can detect the edge of the falling area without dropping.
4. Please follow the instructions to operate the robot.
5. Make sure the power supply voltage matches the voltage marked on the charging base.
6. Use only in indoor and home environments. Do not use in outdoor, commercial and industrial environment.
7. Only use the original rechargeable battery and charging base provided by the manufacturer. Non-rechargeable batteries are strictly forbidden to use. Battery specifications please refer to the technical parameters.

## About Product

8. Do not flush the robot directly with water.
9. Do not wipe the robot with watery cloth.
10. Do not use on wet or watery floor.
11. Do not use in open fire and fragile environment.
12. Do not use the robot in an environment, temperature over 40 degrees Celsius or less than -5 degrees Celsius.
13. Do not let the hair, cloth and fingers come close to the product's openings or operating parts.
14. Do not let the robot to suck any material that might block the device, such as stones, waste paper, etc.
15. Prohibit robot from absorbing any flammable materials, such as gasoline and toner for printer or photocopier.
16. Do not allow the product to absorb any products that are burning, such as cigarettes, matches, ashes and other products that may cause a fire.
17. Do not place the product on the sucking mouth. Do not use the robot if sucking mouth blocked. Clean up dust, hair, cotton, etc., to ensure the air at the sucking mouth flows smoothly.

18. Prohibit using the damaged charging base.
19. Use the power cord carefully to avoid damage. Do not use the power cord to drag and pull the product or its charging base. Do not allow the product to run on the power cord and keep the power cord away from heat source.
20. If the power cord is damaged, to avoid the danger, it must be replaced by the qualified maintenance staff.
21. Make sure the dust bin and filter are properly installed before using.
22. Do not use the robot in an infant sleeping room.
23. Do not use the robot when the product cannot work properly due to drop, damage, water, or outdoor use. And please let the robot repaired by the manufacturer and its service department.
24. If do not use the product for a long time, disconnect the power supply.

## **About Maintenance**

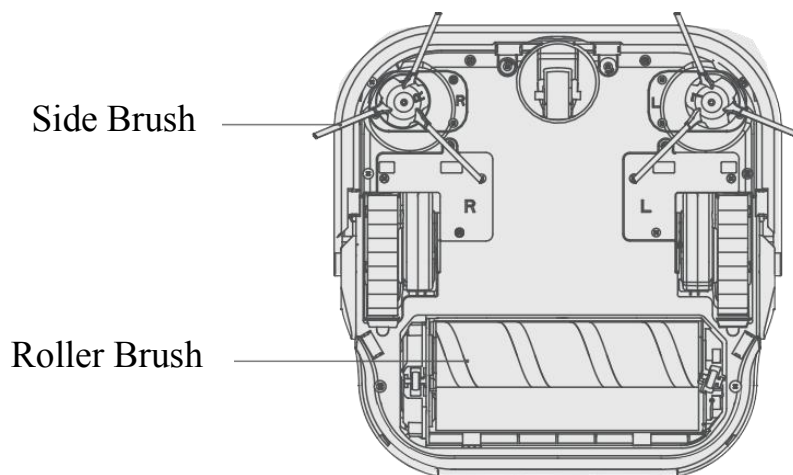
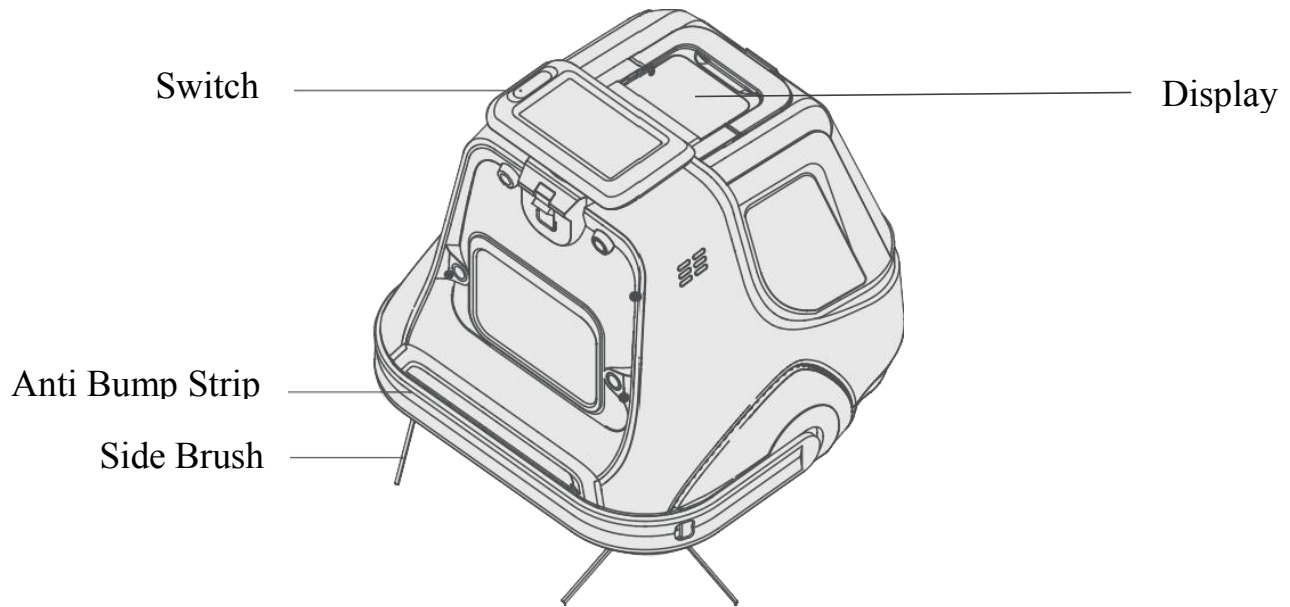
25. Before cleaning and maintaining the product, please turn off the power switch first.
26. Before cleaning and maintaining the product, please pull the power cord out of power socket.

## **About Disposal**

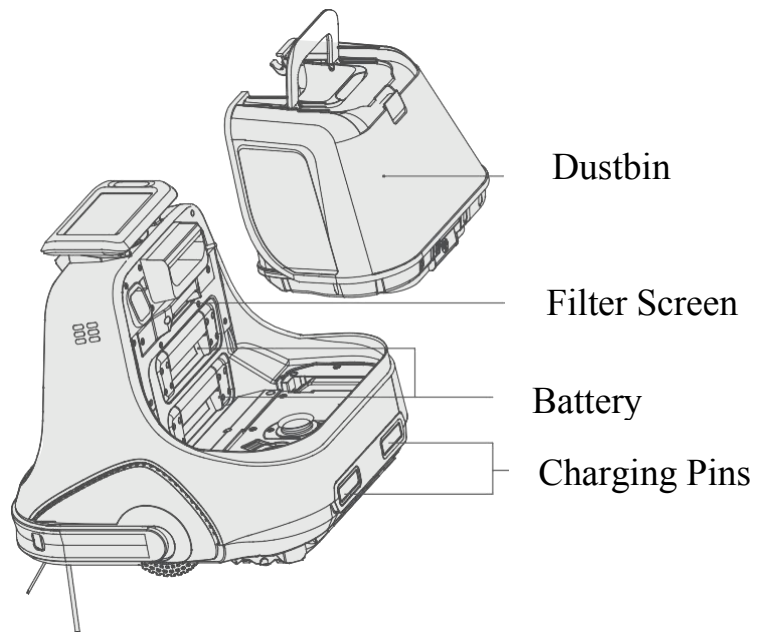
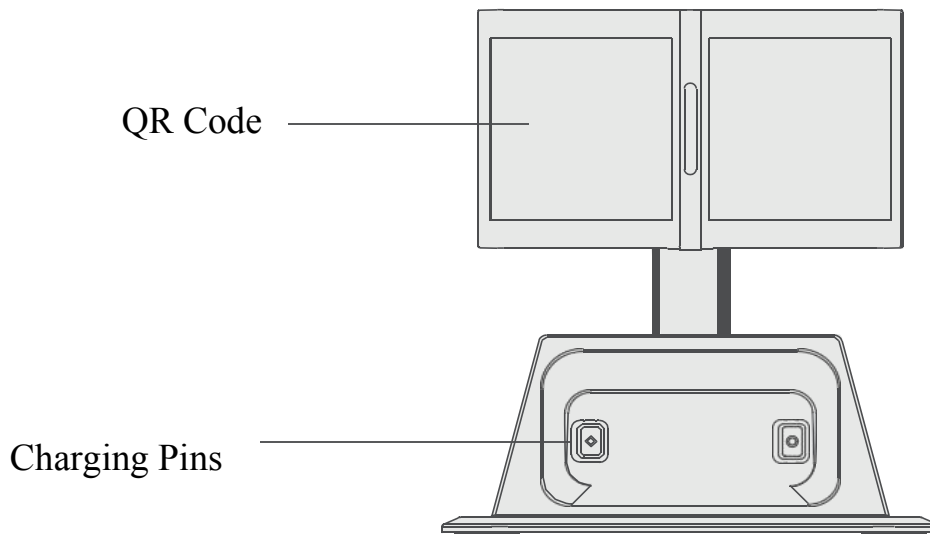
27. Before disposing of the product, please remove the product from the charging base, turn the power switch off and remove the battery.
28. Before disposing of batteries, you must follow local laws and regulations.
29. Even if the product is severely damaged, it is forbidden to incinerate the product and the battery may cause an explosion.
30. Please follow the instructions to use the product. Due to improper use of any loss and damage, the company will not take any responsibility.

## 2. Main Product And Parts

### 2.1 Main Body

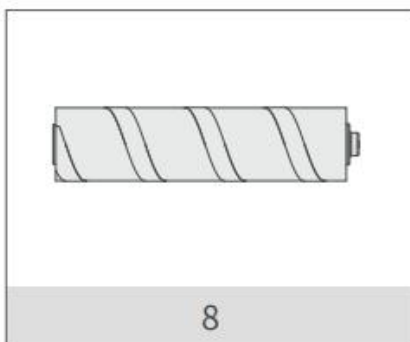
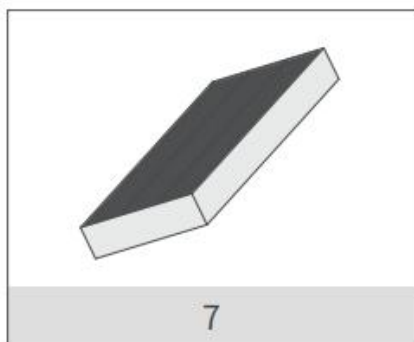
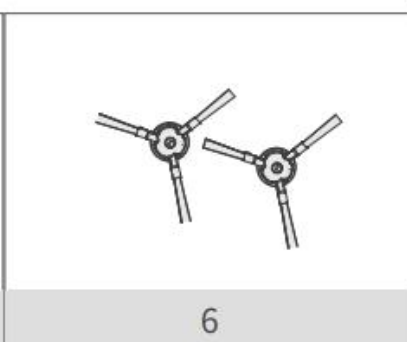
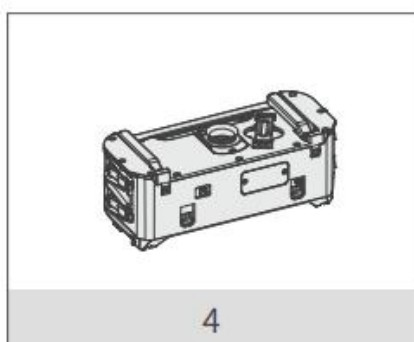
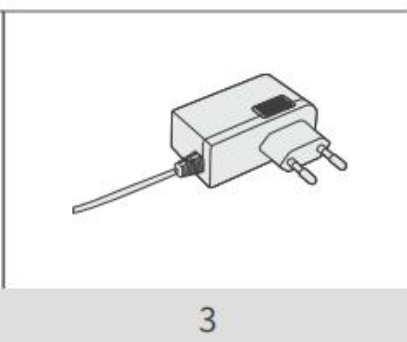
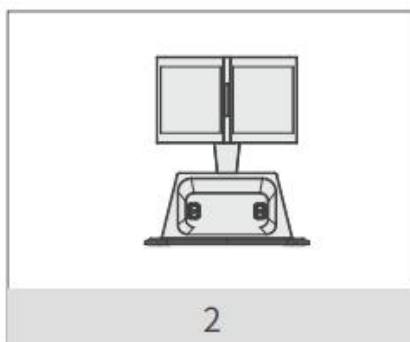


## 2.1 Main Body



## 2.2 Parts List

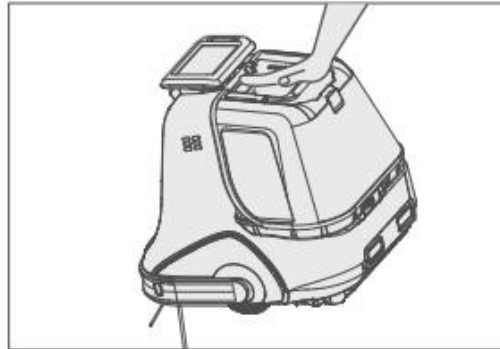
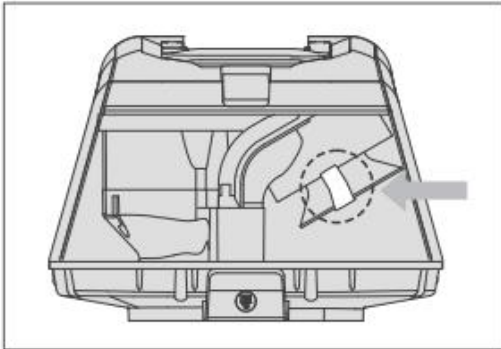
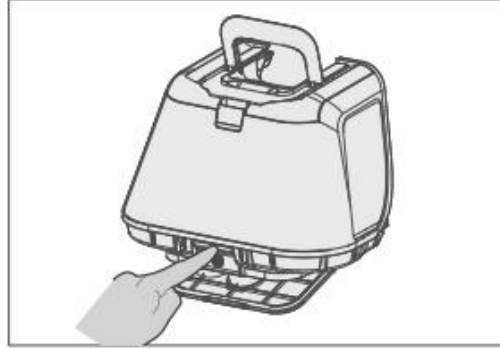
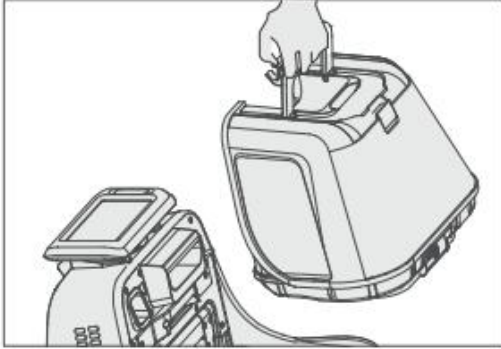
Number	Describe	Quantity
1	Host (With Two Batteries)	1
2	Charging Station	1
3	Power Adapter	1
4	Suction Port Parts	1
5	User Manual	1
6	Left And Right Brush	Left*1/Right*1
7	HEPA Filter	1
8	Front Roller Fluff Assembly Parts	1



### 3. Product Operation

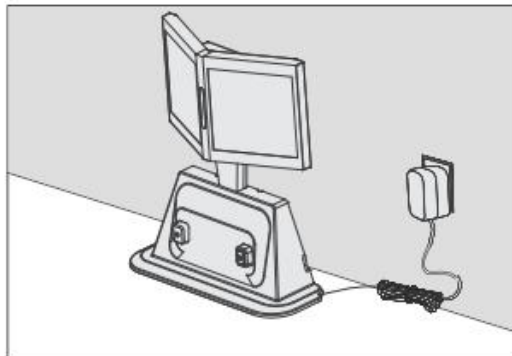
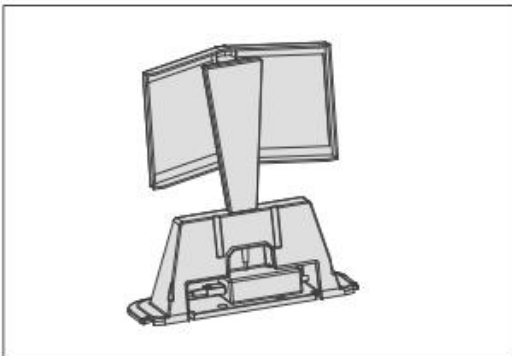
#### 3.1 Preparation Before Using

- Take the robot out from pack box and take the dustbin out, lifts the dustbin, presses the dustbin switch, and tears off the sticker on cover.
- Put the dustbin back on the host.



#### 3.2 Charging Mode

- Connect the adapter and charging station.
- Place the charging station flat against the wall, the surrounding area is open and should not be covered by objects.
- Connect the power.






- Press the host switch button.

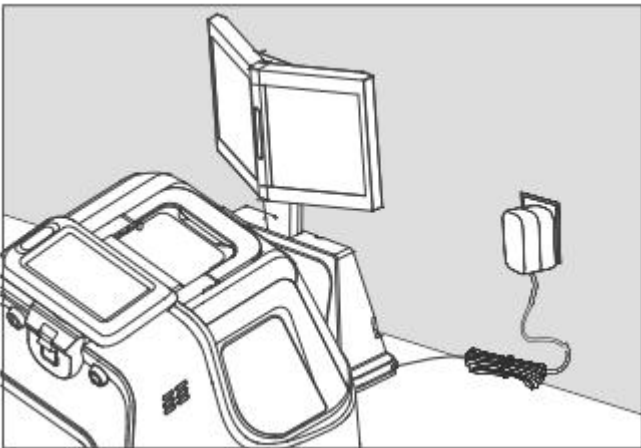


Tips: After finished cleaning, it is recommended not to turn off the robot; keep the robot in charging station so that it can better perform in next time.

### 3.3 Charging

#### Auto charge

Press the recharge button  on the robot panel or APP, the device will automatically search for the charging base to charge.




Tips: During daily use, pay attention to cleaning the charging pin of the charging station, otherwise the charging effect will be affected.

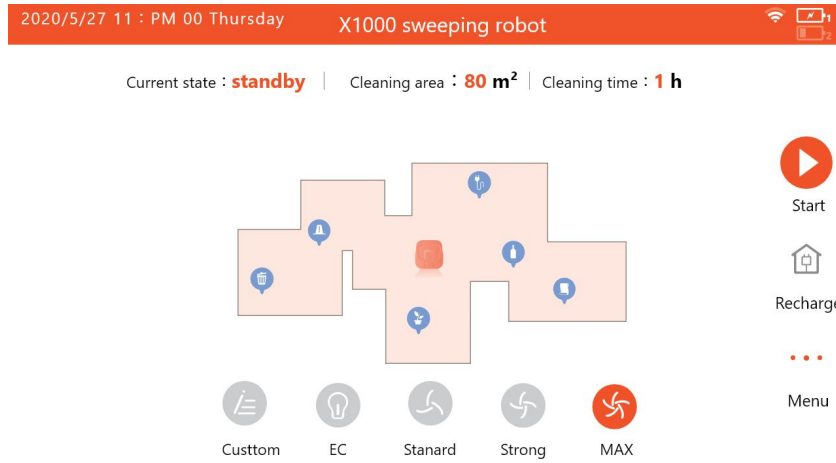
Tips:


1. In daily use, please place the robot on the charging station, and ensure that the charging station is connected to the power supply and the host power switch is on.
2. If the robot is not used for a long time, please fully charge the machine, turn off the power, and store it in a dry and ventilated place.

## 3.4 Switch/Pause


### Switch

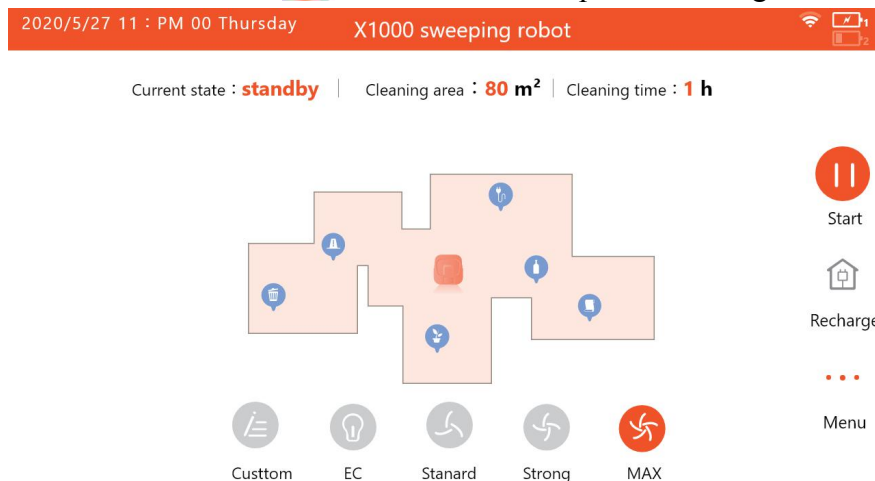
- Make sure the power is on
- Press the button  on robot&APP to start cleaning.



Tips: If the robot is in sleep mode, press  again to wake up the robot to enter function selection mode, press the button again then the machine will start working automatically.

### 3.5 Pause

- Press the button  on robot&APP to pause cleaning.




Tips:  
The machine can be re-operated after the machine has been paused.


### 3.6 Mode Selection

#### Mode selection


##### Energy Saving

Press the energy saving button  on the robot

##### Standard Mode

Press the standard button  on the robot


##### Strong Mode

Press the power button  on the robot

##### Max

Press the MAX button  on the robot

##### Customize

Press the customize button  to customize the side brush, roller brush, volume, suction value

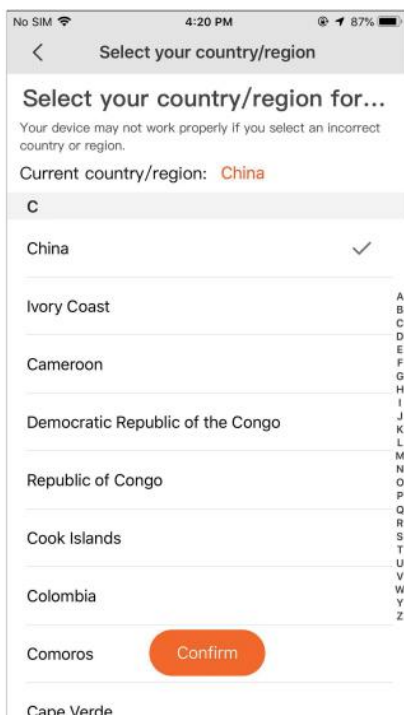
## 4. APP Download and Usage Instructions

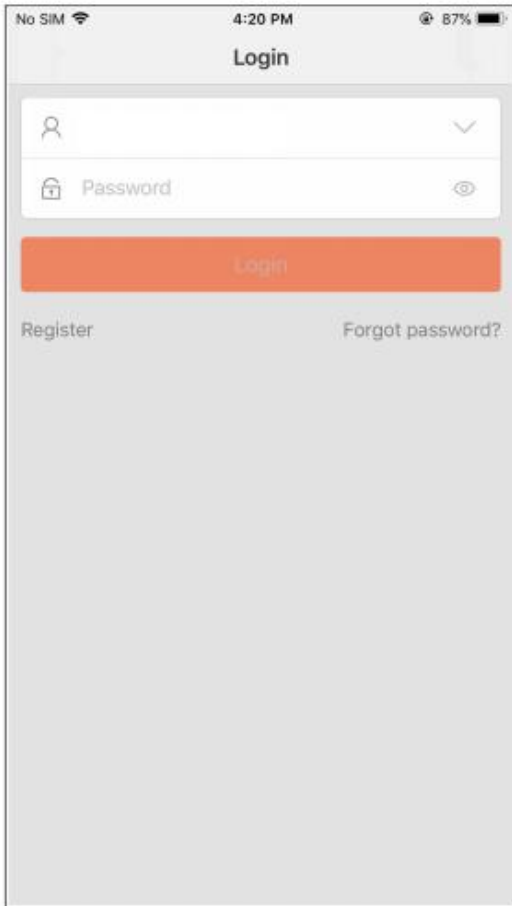
This device can be controlled remotely through the mobile APP. Please operate according to the following guidelines or refer to the product guide in the APP interface.

### 4.1 Registered Account

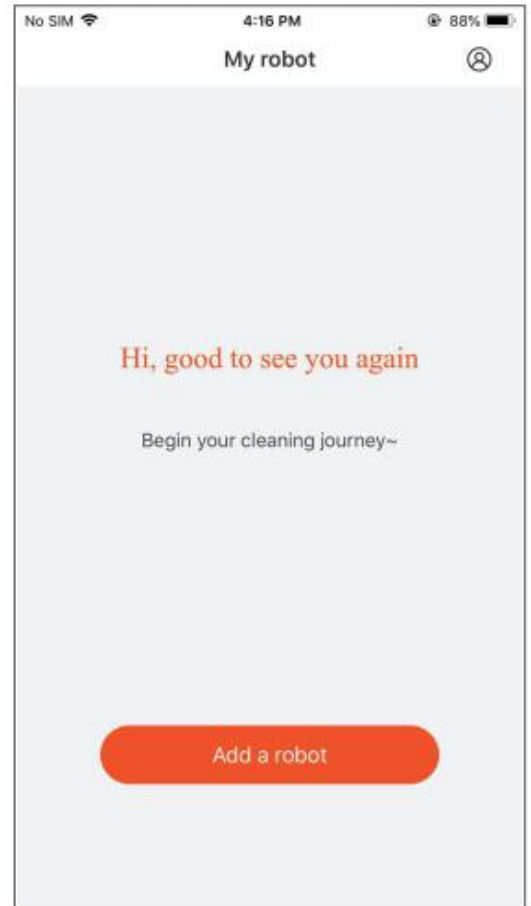
#### Register An Account

1. Select the corresponding country or region





2.Registered email account (read and agree with User Registration Agreement).

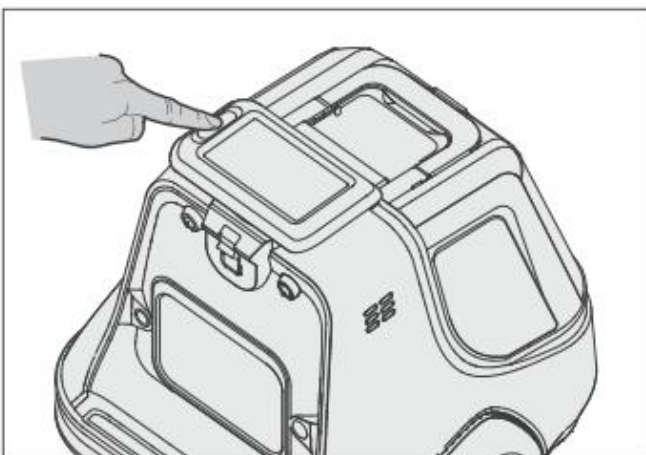


3.Click to add the robot

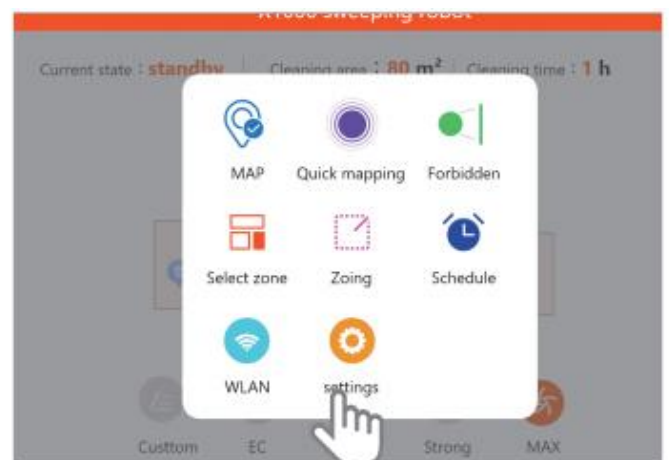
#### 4.2 Way Connecting Robot to WIFI

Reminder: Connect your mobile phone to an available WIFI network.

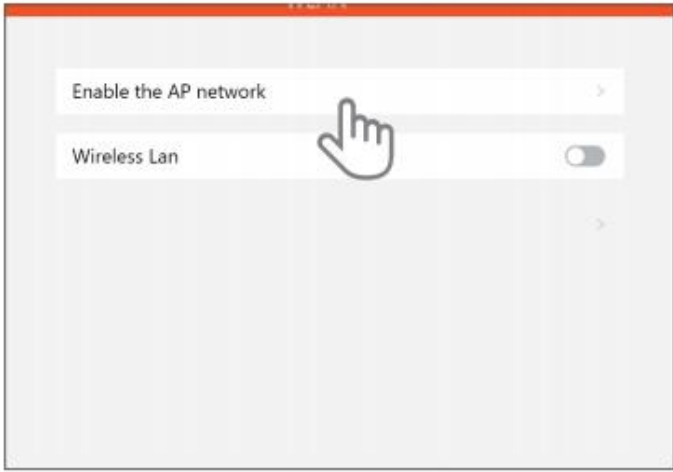
Make sure the phone is connected to an available WIFI network indoors and has a good signal.



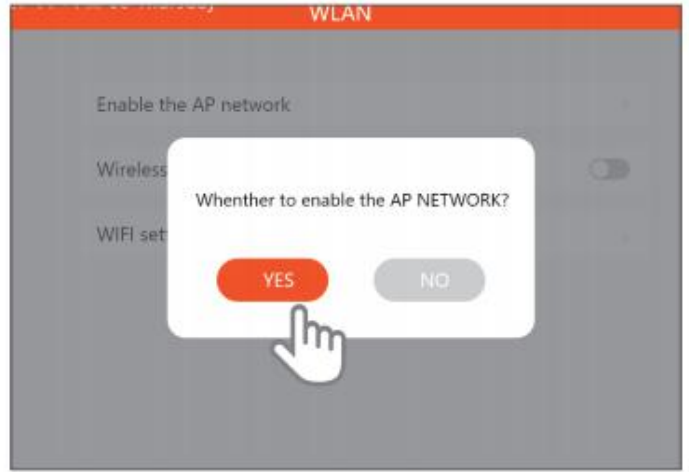
1.Turn on the power of the device, and the device enters the standby state.



2.Click the function button to enter the setting page, click Settings to enter Wireless LAN



3. Click to use AP network configuration



4. Click OK, the device will prompt "WIFI connecting"

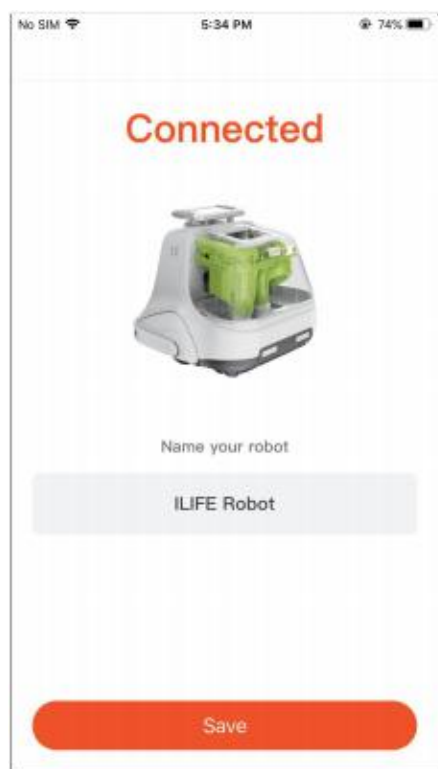


5. The robot prompts: the network is being configured

**Note: Do not configure the network while the device is in charging.**



6.Fill in the WIFI password and click next



7. Click Settings to jump to the phone settings page, click WIFI settings and select the wireless network from host: adh-xxx

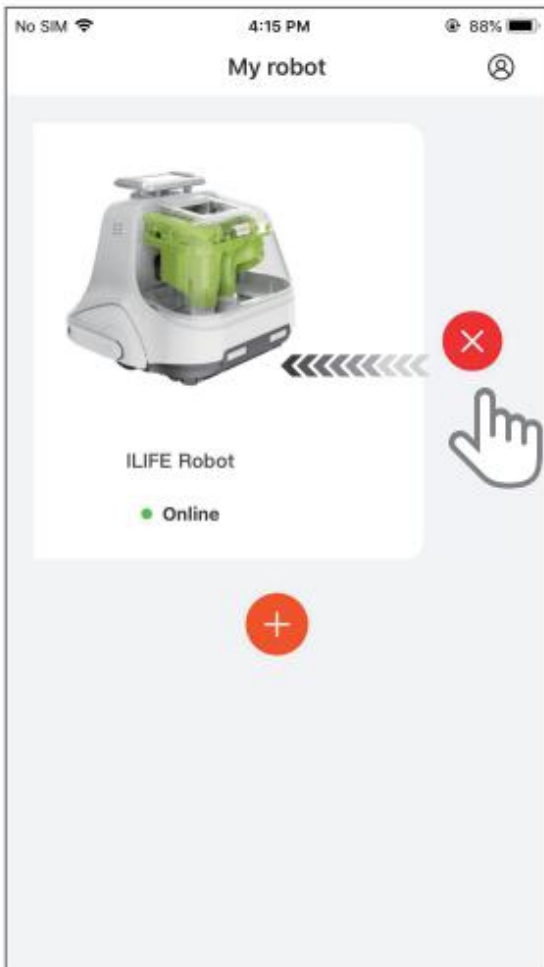
8. The connection is successful, the binding is completed

**Tips:**

If the connection fails, please restart the device and follow the steps to configure the network again.

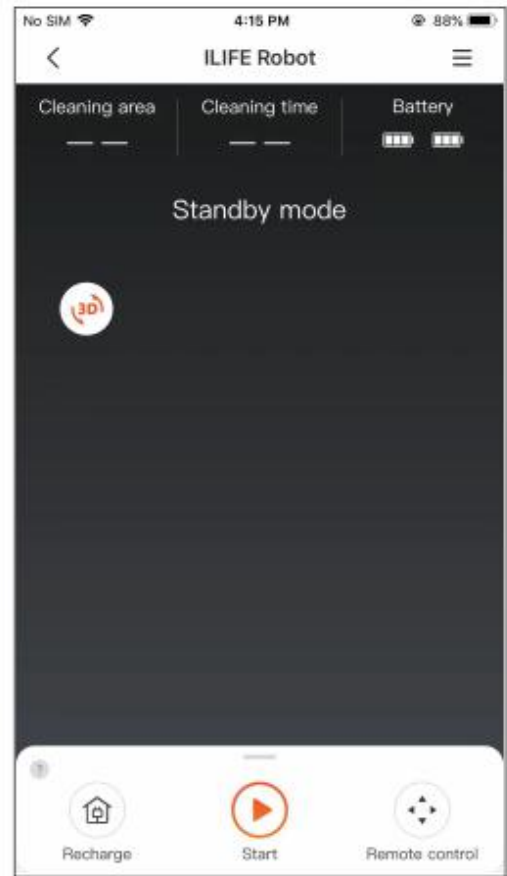
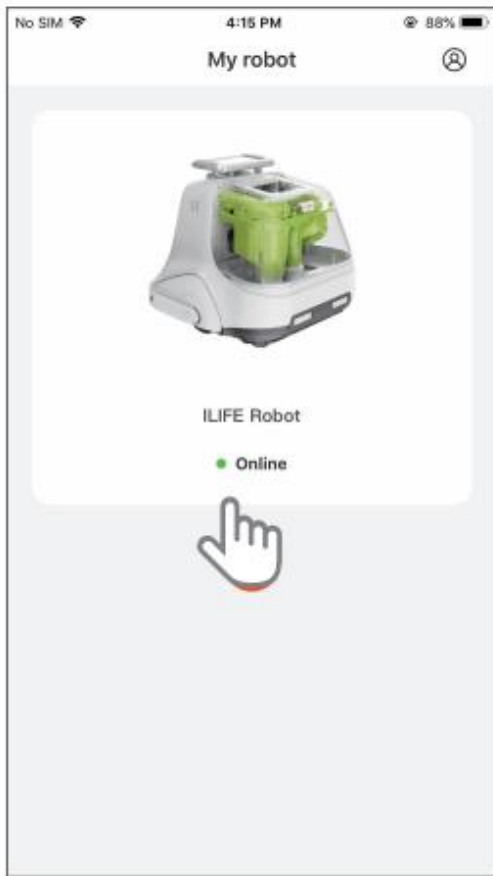
### 4.3 Unbinding Robot

- On the device list page of APP, press and hold the device you want to unbind and swipe to the left. An unbind button will appear on the right side of the device.
- Click the Unbind button to unbind the device.



#### 4.4 Control Robot

Click to select the device you want to control in the device list to enter the device control page.





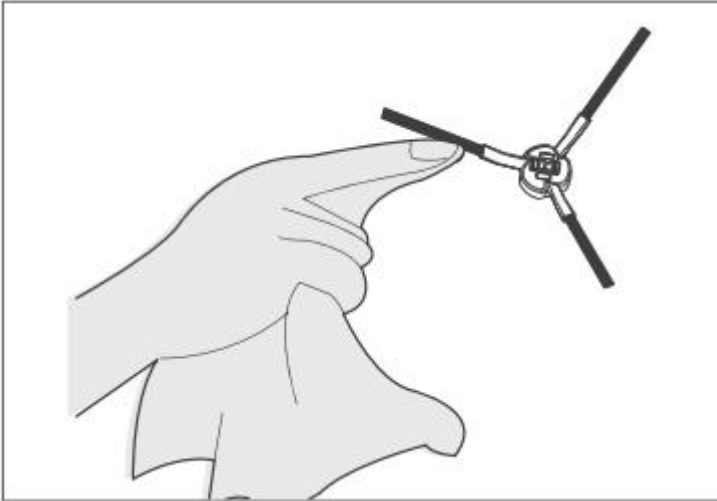
## 5. Maintenance

Tips:

Note: When cleaning and maintaining the device and accessories, please turn off the device and unplug the power supply of the charging station.

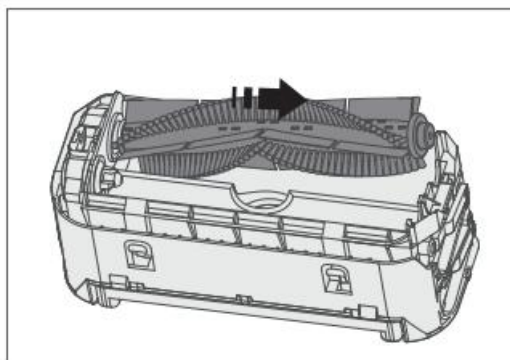
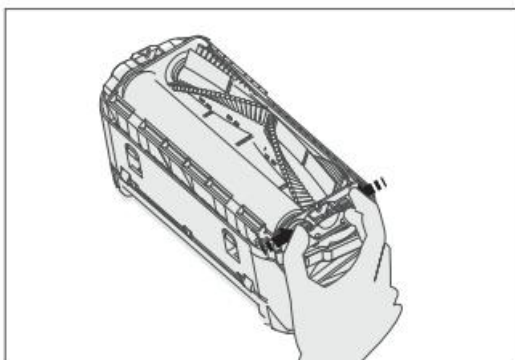
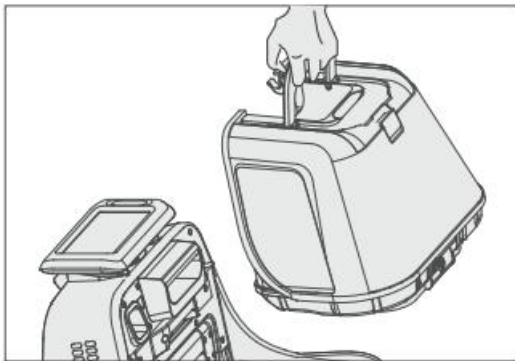
### 5.1 Side Brush Maintenance

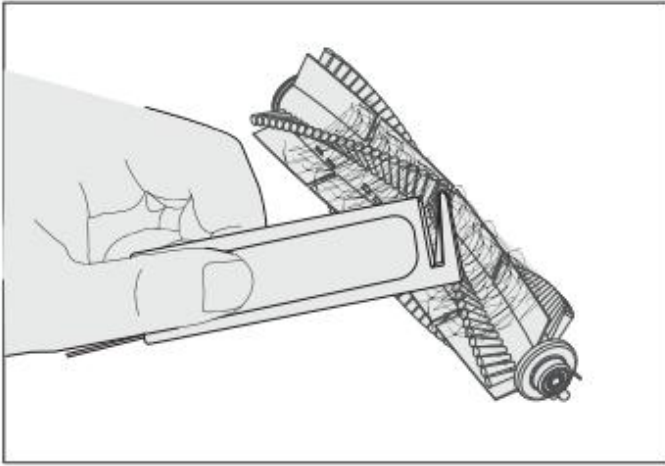
Remove the side brush and wipe with a clean cleaning cloth.



### 5.2 Roller Brush Maintenance

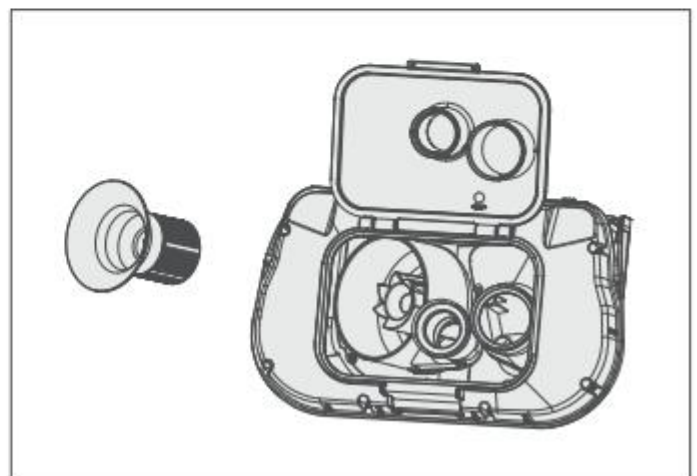
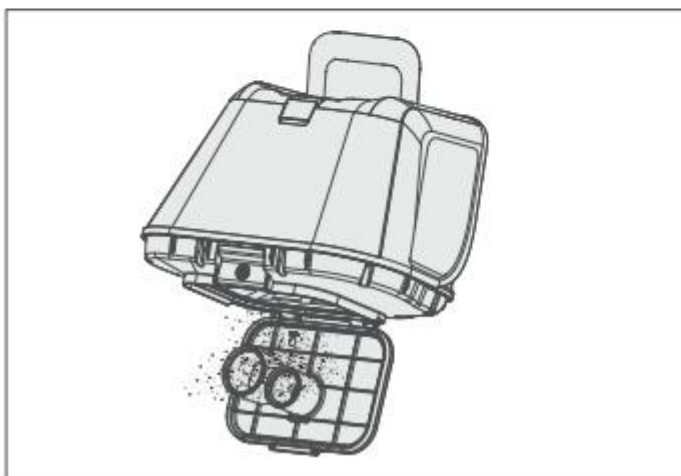
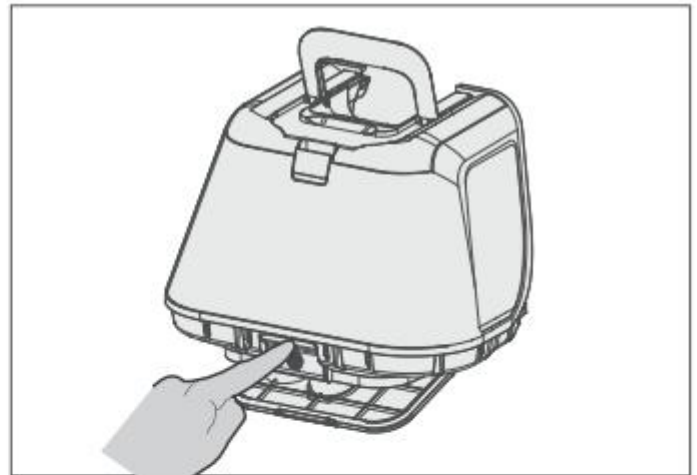
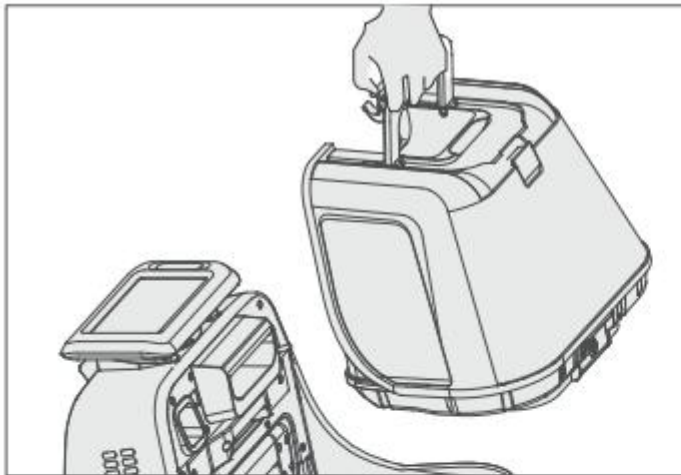
Remove the dustbin, lift out the roller brush box, hold the two buttons with your hands, pull out the plug, and use the clean tool to cut the hair wrapped around the roller brush.





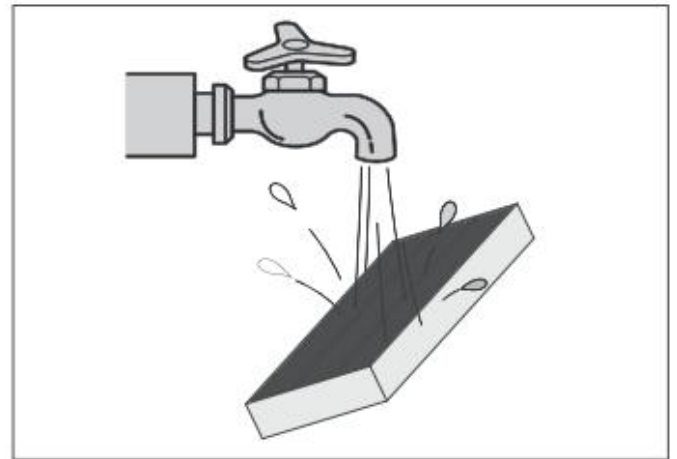
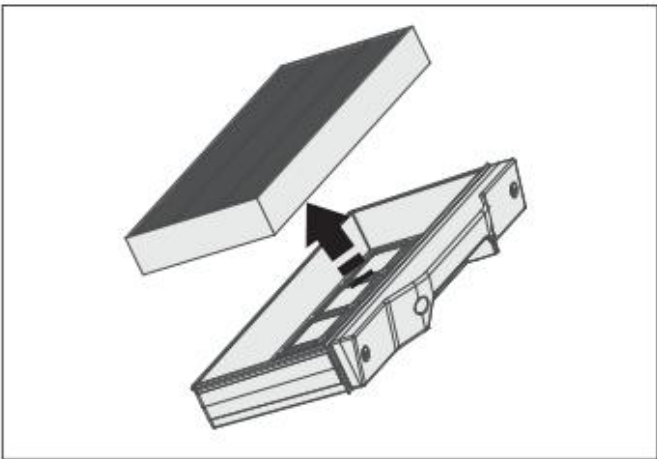
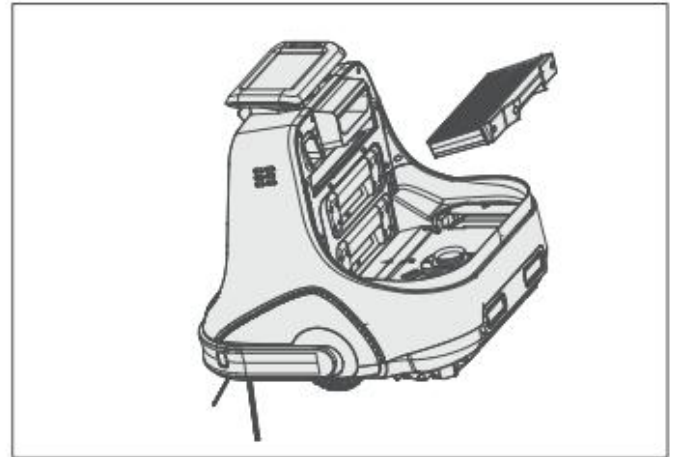
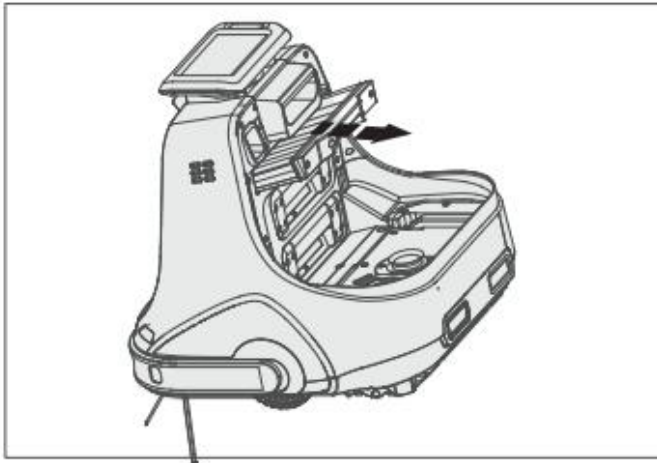
### 5.3 Dust Bin and Filters Maintenance

- ① Please clean the dustbin in time after each use.
- ② Remove the dustbin, press the button on the dustbin, after the bottom cover of dustbin pops up automatically, empty the dust inside.
- ③ Remove the filter from the dustbin, wash the filter with clean water, and make sure it is completely dry when reinstalling the filter.



### 5.4 Filter Screen Cleaning

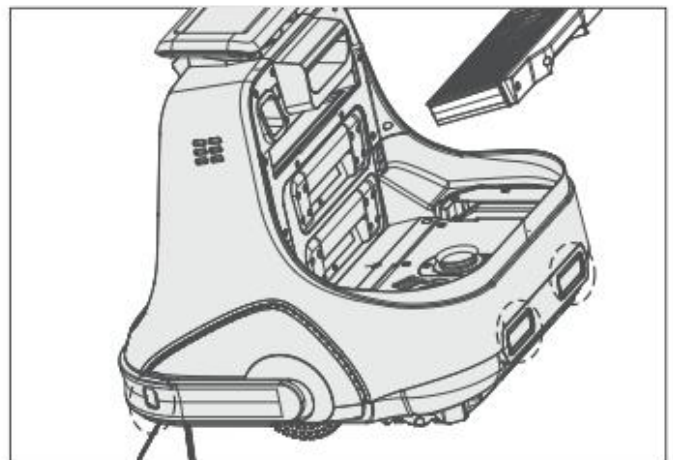
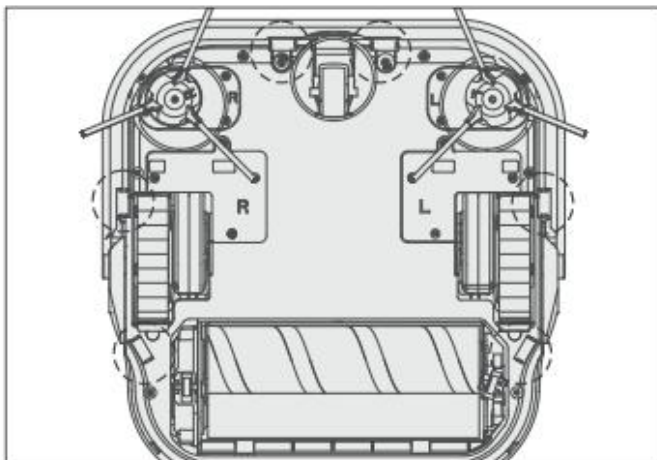
Remove the high-performance filter, wash with clean water, and place in a cool, ventilated place to dry, do not squeezing the high-performance filter.

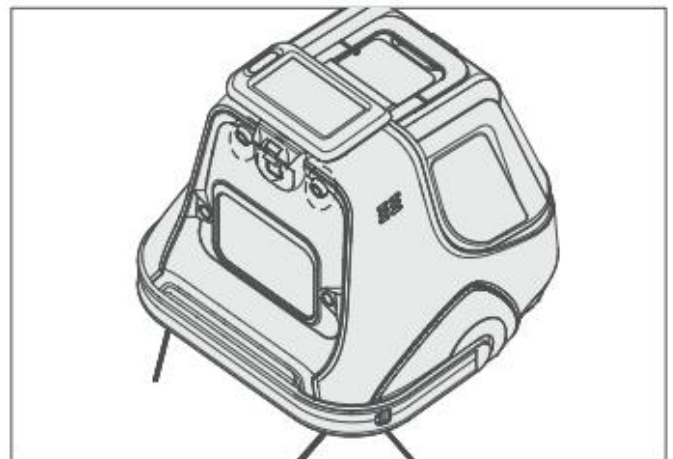
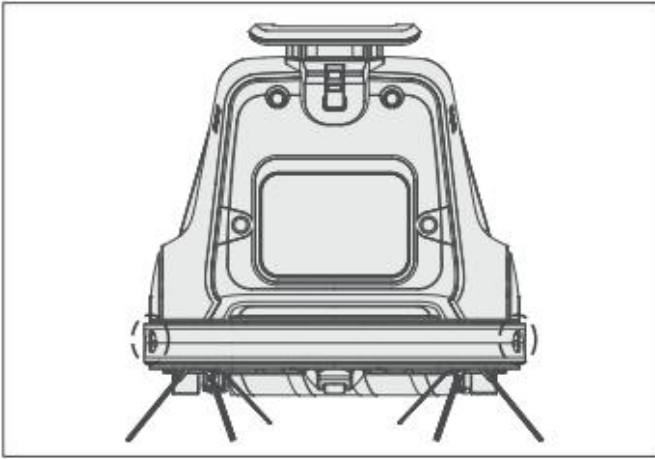


### 5.5 Cliff Sensors and Charging Pins Cleaning

Gently wipe the sensor and battery connector with a cleaning tool, as shown in the picture:

Tips: Clean the charging pins in time when there is dust on the cover.





**Tips:**

- When the device not use for a long time, please take out the battery and keep it properly. If the battery leaks, please remove the battery and wipe the battery.
- This device uses a long-life battery and does not need to be replaced frequently. If you need to replace it, please contact our after-sales service

### 5.6 Maintenance and Replace Accessories Regularly

Parts	Cleaning	Change Into New One
Dustbin	After each use	No
Filter	Once a week (twice a week for pet families)	Replace the new one every three to five months
Roller Brush	Once a week (twice a week for pet families)	According to actual needs
Side Brush	Once a week	According to actual needs
Charge Station	Once a week	No

## 6. Technical Parameter

Product name	Commercial Robot Vacuum Cleaner	Model	X1000
Nominal voltage (V)	DC 25.2V	Motor power(W)	250W
Charging voltage (V)	32V	Charging time	<360min
Battery capacity (mAh)	4450mAh	Product size (mm)	376x372x365mm
Maximum vacuum(kPa)	20kPa	Net weight (Kg)	11.3
Working times(Min)	240Min	Dust cup capacity(L)	3L