



AAVANTE BAR 4100DA

3.1.2 CHANNEL 300W RMS Dolby Atmos Sound Bar
(with Subwoofer)

USER MANUAL

Thank you for choosing the boAt Aavante Bar 4100DA as the audio source for your home. Discover a new level of immersive, cinematic audio experience at home with the boat Aavante Bar 4100DA. With a powerful 300W RMS total output, this sound bar brings every aspect of your entertainment be it a song, show or movie to life. The 3.1.2 channel surround sound system provides a balanced sound for your movies, music and even video games and you can experience cinematic sound that revolves around you. Stay plugged into the sound with an array of wired connections, USB and Bluetooth® v5.0 wireless technology. Bring your home to life with the boAt Aavante Bar 4100DA. We request that this installation guide be carefully read for proper usage of the device and should be referred to whenever needed.

COMPONENTS LIST

- Soundbar
- Wired Subwoofer
- Power Cable
- Speaker Connecting Cable
- Warranty Card
- User Manual
- Remote Control
- DC-DC Cable
- AUX Cable
- Wall-Mount Kit

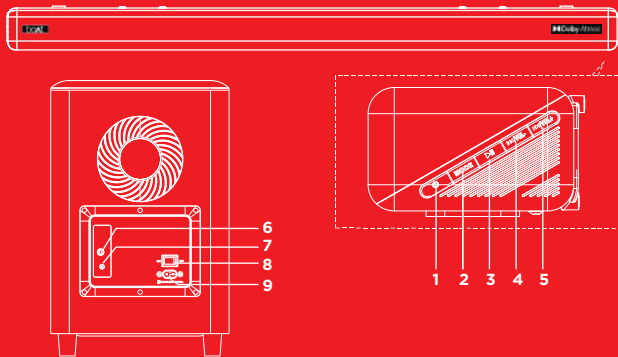
SAFETY & WARNINGS

Caution

- Read the safety, installation and operating instructions in this user guide before operating the product.
- Power and speaker wires should be routed so that they are not likely to be walked upon, kicked or pressed by items placed on or against them. Pay special attention to cords from plugs, power receptacles and the point where they exit from the product.
- The product should be situated away from heat sources such as radiators, stoves or other products, including amplifiers that produce heat. Naked flames such as lighted candles should not be placed on this product.
- To reduce the risk of fire or electric shock, do not expose the product to dripping, splashing or excessive moisture such as in a sauna or bathroom. Do not use this product near water, for example, near a bathtub, washbowl, kitchen sink, laundry tub, in a wet basement or near a swimming pool.
- Never insert objects into this product through openings as they may touch dangerous voltage points or short-circuit parts that could result in a fire or electric shock.
- Do not use attachments or accessories not included with this product.
- Do not place this product on an unstable cart, stand, tripod, bracket or table. The product may fall causing serious injury to someone or serious damage to the product. Any mounting of the product should follow the instructions in this user guide.
- Do not attempt to service this product by yourself, as opening or removing covers may expose you to potentially dangerous voltage or other hazards. Refer all servicing and repairs to qualified service personnel.

OVERVIEW

- 1. Power Button:** Short press for standby ON/OFF.
- 2. Input Mode Button:** Short press in steps to choose among Bluetooth, HDMI IN, Optical, Coaxial, HDMI(ARC), USB and AUX modes.
- 3. Play/Pause Button:** In Bluetooth/USB mode, short press to play/pause
- 4. - Button:** Long press to return to previous track (Bluetooth/USB only); short press in steps to decrease volume
- 5. + Button:** Long press to skip to next track (Bluetooth/USB only); short press in steps to increase the volume.
- 6. Subwoofer SPE:** Subwoofer input (from soundbar)
- 7. DC OUT:** 24V Output (to soundbar)
- 8. ON/OFF:** For switching on/off the subwoofer
- 9. Subwoofer Power in**



SOUNDBAR PORTS



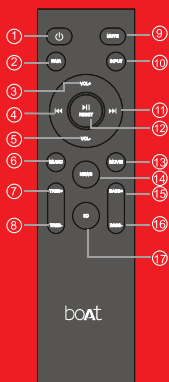
1	HDMI OUT (ARC)	Use to connect compatible devices using an HDMI cable (not provided).
2	HDMI IN	Use to connect compatible devices using an HDMI cable (not provided).
3	OPTICAL IN	Use to connect compatible devices using an optical cable (not provided).
4	COAXIAL	Use to connect compatible devices using the coaxial cable (not provided)
5	AUX IN	Use to connect compatible devices using 3.5mm-3.5mm stereo jack cable (provided)
6	USB IN	Use to connect a flash drive for direct MP3/WAV playback(FAT32 format and 64GB max)
7	SW OUT	Use to connect the subwoofer
8	DC IN	Use to connect the DC power supply.

Note: For an optimum Dolby Atmos experience, kindly utilize HDMI (IN).

LED DISPLAY

1	HDMI	HDMI in Mode
2	BT	Bluetooth Mode
3	USB	USB Media Mode
4	AUX	AUX Input Mode
5	OPT	Optical Mode
6	ARC	HDMI(ARC) Mode
7	COA	Coaxial Mode

REMOTE CONTROL



1. : Standby mode for Power ON/OFF
2. PAIR: Connect or disconnect to the pairing device.
(long press the button for more than 2 seconds).
3. Volume+ : Master volume up
4. : Pre button: Previous program
(Only work under USB & BT Mode).
5. Volume - : Master volume down
6. MUSIC: Select the Music EQ Effect.
7. TR+: Treble volume up.
8. TR-: Treble volume down.
9. MUTE: Mute mode.
10. INPUT: Input mode(AUX/USB/HDMI (in)/
HDMI(ARC)/OPT/BT).
11. : Next button: Next program.
(Only work under USB and BT mode).
12. : Play/Pause (Only work under USB and BT mode).
Reset: Press and hold the button for more than 2 secs
perform reset for default manufacturer settings
13. MOVIE: Select the Movie EQ Effect.
14. NEWS: Select the NEWS EQ Effect.
15. Bass +
16. Bass -
17. 3D: Select the 3D EQ Effect.

REMOTE BATTERY INSTALLATION

1. Open the battery panel
2. Insert 2 batteries without polarity reversed
3. Close the battery panel
4. Keep the remote control within 8m-10m of the soundbar unit

Note:

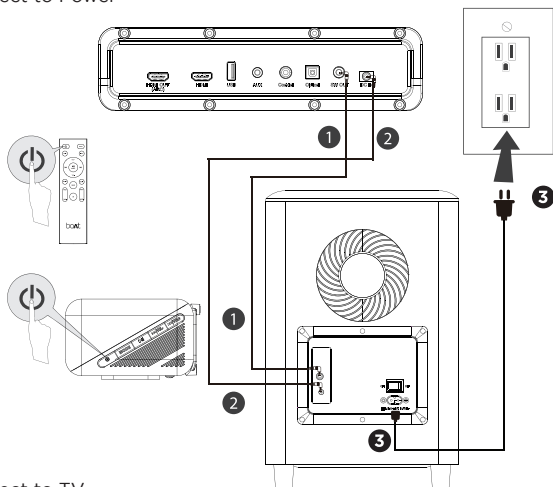
Remove the batteries when the unit is not being used for a long period of time.



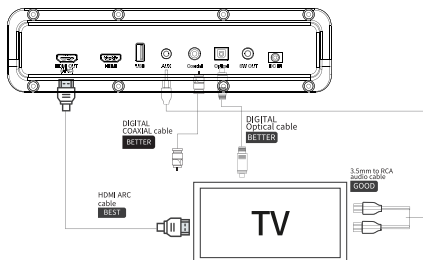
INSTALLATION

Connect the soundbar and subwoofer using the provided cable and connect the unit to a power source, as depicted in the below diagram. Use the power button to turn on the soundbar.

Connect to Power

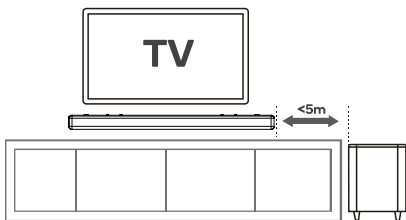


Connect to TV



PLACING THE SOUNDBAR ON AN ENTERTAINMENT UNIT

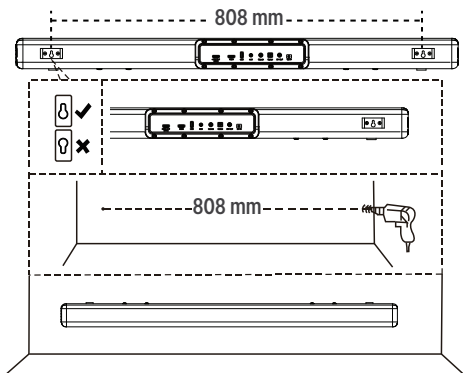
If your TV is placed on an entertainment unit, you can place the soundbar directly in front of the TV stand, centred with the TV screen. If the surface of the table is flat, the soundbar stays firm on its metal feet.



WALL MOUNTING THE SOUNDBAR

This soundbar can be mounted on your wall. Follow the instructions below:

Note: If you aren't confident in mounting this product yourself, please seek advice from a qualified trades person.



- Measure 31.81 inches (808mm) and drill 2 parallel holes (1/4 inch each) in the wall
- Firmly apply a dowel into each hole in the wall (dowel required only for solid wall)

Anchor

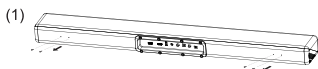


Solid wall (i.e., solid brick, solid concrete, solid wood)

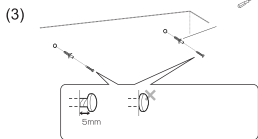
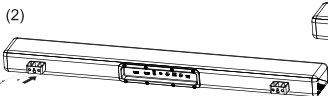
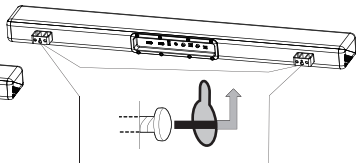


Drywall, plastered wall etc.

- Attach the soundbar to the screws on the wall and push the soundbar to the right half an inch to lock in.



(4)



Professional installation and tools are recommended.

USING THE SOUNDBAR

Plug in the power cable of the soundbar to an external power socket; the unit goes into standby mode.

Power ON/OFF

Press the Power on/off button on the remote control or soundbar control panel to turn the soundbar on and off.

HDMI(ARC)

Connect an HDMI(ARC) compatible device such as TV to the HDMI(ARC) port on the soundbar using an HDMI cable (not supplied). Select HDMI(ARC) mode either by pressing the INPUT/MODE button on your remote control or soundbar control panel repeatedly until ARC is displayed on the LED display. Ensure HDMI ARC is selected as the TV's audio output, then adjust the volume of soundbar by pressing the Volume up and Volume down buttons on the remote control or soundbar control panel.

HDMI IN

Connect a compatible device such as Blu-ray disc player, DVD player, etc. to the HDMI IN port on the soundbar using an HDMI cable (not supplied). Select HDMI mode either by pressing the INPUT/MODE button on your remote control or soundbar control panel repeatedly until HDMI is displayed on the LED display. Then adjust the volume of soundbar by pressing the Volume up and Volume down buttons on the remote control or soundbar control panel.

AUX

Connect a compatible device using the 3.5mm – 3.5mm stereo jack cable (provided). Select AUX mode either by pressing the INPUT/MODE button on your remote control or soundbar control panel repeatedly until AUX is displayed on the LED display. Ensure the connected device is producing an audio signal, then adjust the volume of soundbar using the Volume up and Volume down buttons on the remote control or soundbar control panel.

Optical in

Connect a compatible device to the OPTICAL input on the soundbar using a digital optical cable (not supplied). Select OPT mode either by pressing the INPUT/MODE button on your remote control or soundbar control panel repeatedly until OPT is displayed on the LED display. Ensure Optical SPDIF is selected as the TV's audio output, then adjust the volume of the soundbar by pressing the Volume up and Volume down buttons on the remote control or soundbar control panel.

Coaxial Mode

Connect a compatible device to the COAXIAL input on the soundbar by using coaxial cable (not supplied). Select COAX mode either by pressing the INPUT/MODE button on your remote control or soundbar control panel repeatedly until COA is displayed on the LED display. Ensure Coaxial selected as the TV's audio output, and then adjust the volume of the soundbar by pressing the Volume up and Volume down buttons on the remote control or soundbar control panel.

Bluetooth

Select BT mode either by pressing the INPUT/MODE button on your remote control or soundbar control panel repeatedly until BT is shown on the LED display. The LED display will flash to indicate that the soundbar is in Bluetooth pairing mode. Ensure that the device you wish to connect is also in pairing mode and search for "Aavante Bar 4100D" in its device list. The LED display on the soundbar will stop flashing and become consistent when the two devices are paired. (The soundbar will now automatically re-pair with this device when it is within optimum range and in Bluetooth mode.)

USB Mode

The soundbar is compatible with USB flash memory up to 64GB (Fat32 format) and support MP3 and WAV audio files directly. Simply insert a compatible USB flash drive into the USB port on the back of the soundbar and the unit will automatically switch to USB mode and play the first compatible track.

USB repeat modes (also accessed via the remote control) enables single track repeat (ONE), all track repeat (ALL)

The media player also has memory function that will recall and continue from the last-played point when a USB flash drive that has been earlier used with the soundbar is reinserted.

Equalizer Modes

The soundbar offers 4 EQ settings suitable for different listening styles; viz. MUSIC, MOVIES, NEWS and 3D.

For Using DOLBY ATMOS®

To enjoy content containing Dolby Atmos®, the connected device and content must support Dolby Atmos®. It is available only in HDMI(IN) and HDMI(ARC) mode. And it is needed to set up an audio output on the connected devices (Blu-ray displayer, TV etc.) to “No encoding” such as “Bitstream”, “Auto” or “Bypass”.

AC POWER

Notes:

- Make sure the power supply is correct and never handle the power cord or its plug with wet hands when plugging into or unplugging from an outlet.
- Ensure the main power switch is in OFF state before connecting the power cord to the power supply to avoid damage to the unit.
- A damaged power cord can easily cause an electric shock or fire hazard, never use a power cord after it has gotten damaged.

TECHNICAL SPECIFICATIONS

Model	boAt AAVANTE BAR 4100DA
Technology	Optical, HDMI(ARC), HDMI IN, Bluetooth v5.0, AUX, USB, Coaxial
Drivers	L/R Channel (52*75mm)/40W speakers * 2 + Sky Channel 2.5"/40W up firing speakers * 2 + Mid Channel 2"/20w speakers * 2 + Subwoofer 6.5"/100W woofer * 1
Output Power	300W R.M.S.
Frequency Response	45Hz-20KHz
Signal-to-Noise Ratio	≥ 70dB
Impedance	8Ω*2+4Ω*2+8Ω*2+4Ω
BT Transmission Range	Up to 10m
Bluetooth	V5.0+EDR
Dimensions	Soundbar: 115H*66D*960L mm Subwoofer: 240W*240H*370D mm