

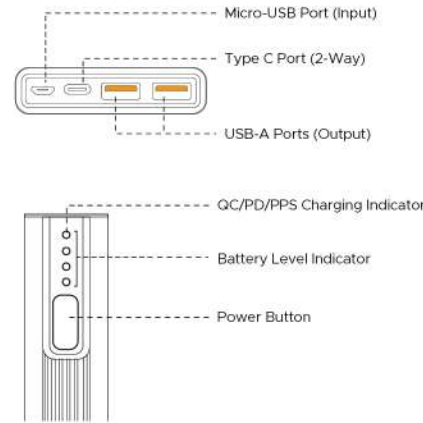
# EnergyShroom PB300

Thank you for choosing EnergyShroom PB300 Power Bank by boAt to power up your cherished devices. It is a high capacity, 10000mAh portable charging device that utilizes Li-ion polymer battery and is built for a safe, fast and efficient user experience. It charges your beloved devices such as cell phones, tablets, MP3 players, digital cameras, etc. It has both Micro USB and Type C (2-way) input interfaces and 2 USB-A & 1 Type C (2-way) output interfaces to make for smoother connectivity.

### Contents -

- 1x EnergyShroom PB300
- 1x Manual
- 1x Type C Cable
- 1x Warranty Card

### Product Overview -



### Features

- Supports Micro USB as well as Type C (2-Way) charging Input ports along with 2 USB-A and a Type C (2-Way) Output ports.
- Built-in 12-layer Smart IC protection from short circuit, over charge & over discharge.
- Intelligent input/output control and LED indicators.
- Supports 2-way 22.5W(Max) fast charging including Quick Charge 3.0, Power Delivery and PPS protocol support.
- Ultra-portability and Durability including High Temperature and Scratch Resistance with sleek Aluminum casing.
- Pass-through charging allows charging the power bank while it charges your devices.

### LED Functions

- Press the power button once to switch the LED indicator on and see the charging status of the power

1 LED in solid light	0-25%
2 LED in solid light	25-50%
3 LED in solid light	50-75%
All LED in solid light	75-100%

- The LED indicator will turn on to indicate the battery status of the power bank.
- When your power bank or device uses Quick Charge 3.0, Power Delivery or PPS fast charging/discharging, the top LED indicator will turn green.

Front

### Button Functions

- Press the power button once to switch the LED indicator on and see the power bank's charging status.
- To switch the LED off, press the power button twice.
- Press and hold the power button to stop the powerbank from charging your device, press it once again to continue charging.

### Charging EnergyShroom PB400

- Connect the Micro-USB/ Type-C connector to the Micro-USB/ Type C port of the power bank.
- Then, connect the USB-A/ Type-C connector to the adaptor or laptop/computer USB port.
- An LED will blink to indicate charging depending the battery of the powerbank. All 4 LEDs will light up when the power bank is fully charged.
- If you are charging your power bank with a compatible Quick Charge 3.0, Power Delivery or PPS fast charger, the top LED indicator will turn green.

Note: Computer USB port output is less than the wall adapter.

### Charging Your Devices

- Please connect the device to the power bank using the USB-A/ Type C connector for charging.
- In case the power bank doesn't start automatically single press the power button to begin charging.
- If your device supports Quick Charge 3.0, Power Delivery or PPS fast charging while charging your devices, the top LED indicator will turn green.
- When held down, the power button stops any device charging taking place.

Note: If you are charging your device and power bank at the same time using the Pass-through charge-discharge feature, it will result in slower charging and discharging speed.

### Charging norms & Precautionary Guidelines: -

- 1) Charger/Brick/Adapter : 5V/2A
- 2) Cable/Wire : Standard Cable (35 strands @0.10mm diameter/ strand) Any other accessory can be paired up with the product as long as the specifications are as per above norms.

### Product Specification

Capacity	10000mAh 3.7V(37Wh)
Rated Capacity	6750mAh 5.0V (TYP 2A)
Dimension	144.94 x 65.96 x 15.97mm
Battery Type	Li-ion polymer
Input	DC 5V/2A, 9V/2A, 12V/1.5A (Micro) DC 5V/3A, 9V/2.2A, 12V/1.6A (Type-C)
Input Ports	1x Micro USB, 1x Type C (2-way)
Output Ports	2x USB-A, 1x Type C (2-way)
Output (USB 1/2)	5V/3A, 9V/2A, 12V/1.5A, 5V/4.5A
Output (Type C)	5V/3A, 9V/2.22A, 12V/1.67A, 5V-11V/2.0A (PPS)
Fully Charged by 9V 2.0A adaptor	4 hrs 30 min ± 10 min
Fully Discharged by 18W load	1 hrs 45 min ± 10 min
Operating Environment	-10 to 55° Celsius
Overcurrent Protection	Protected (3.6±0.10)A
Over Charging Voltage Protection	16±0.05 V
Short Circuit Protection	Protected
Body Temperature Cut Off	Yes (55-60° Celsius)

### Important User Instructions

- Please utilize our standard Type C charging cable to charge the device.
- It is recommended to charge the power bank fully before its first use.
- Do not leave the power bank inside the car lying unattended.
- The product should be safeguarded against any physical shock or vibration.
- Keep out of reach of children.
- If the power bank gets discharged completely, make sure to quickly put it into charge.
- Do not leave the battery on charge for over 24 hours.
- Charging current and voltage should not exceed the maximum specified amount.

### Warning

- Do not drop, decompose, impact the device or repair it on your own.
- Do not put this product in water, exposed to fire or direct sunlight.
- Do not use the product around combustible gas. It may catch fire and/or cause burns.
- Do not disassemble or attempt to replace the Li-polymer battery under any circumstance, as it may damage the device permanently.

### E- Waste Management

As per government rules, all E- wastes are to be managed by effective treatment under specialized methodologies prescribed by the Govt. of India. Do not dispose the product as unsorted municipal waste. The waste will be treated as per the norms set by the pollution control board. Please contact customer care for getting guidance on proper disposal of this product.

Back