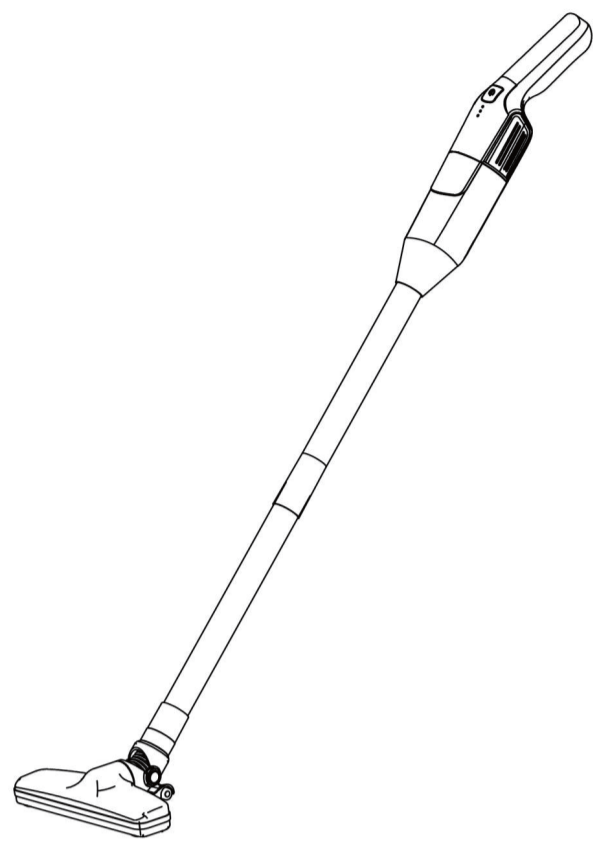




INSTRUCTION MANUAL
TORNADO HANDY VACUUM CLEANER

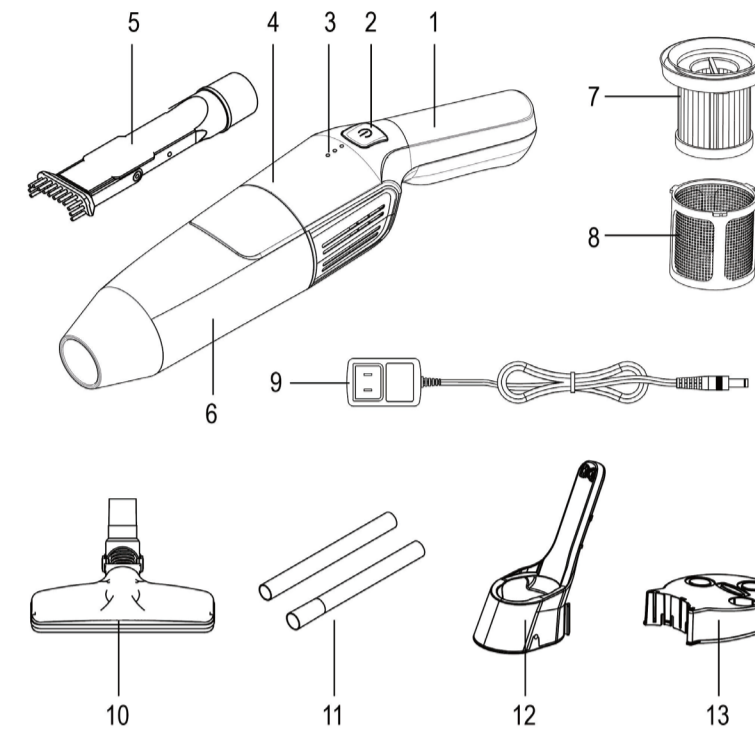


Model : K-908-2

PLEASE READ THIS IMPORTANT INFORMATION CAREFULLY BEFORE USING THIS PRODUCT AND SAVE IT FOR FUTURE REFERENCE.

PARTS LIST:

- | | |
|---------------------|------------------------------|
| 1. Handle | 8. Metal mesh covering |
| 2. Switch | 9. Charger |
| 3. Indicating light | 10. Floor brush |
| 4. Machine body | 11. Extension tubes |
| 5. Combined brush | 12. Charging station |
| 6. Dust bin | 13. Accessories storage base |
| 7. Hepa filter | |



SAFETY GUIDELINES - DEFINITIONS

It is important for you to read and understand this manual. The information it contains relates to protecting YOUR SAFETY and PREVENTING PROBLEMS. The symbols below are used to help you recognize this information.
⚠ DANGER: Indicates an imminently hazardous situation which, if not avoided, could result in death or serious injury.
⚠ WARNING: Indicates a potentially hazardous situation which, if not avoided, could result in death or serious injury.
⚠ CAUTION: Indicates a potentially hazardous situation which, if not avoided, may result in minor or moderate injury.
NOTICE: Used without the safety alert symbol indicates potentially hazardous situation which, if not avoided, may result in property damage.

IMPORTANT SAFETY INSTRUCTIONS

When using an electrical appliance, basic precautions should always be followed, including the following: **READ ALL INSTRUCTIONS BEFORE USING THE APPLIANCE.**
⚠ WARNING: Read all safety warnings and all instructions. Failure to follow the warnings and instructions listed below may result in electric shock, fire and/or serious injury.
⚠ WARNING: Some household dust contains chemicals known to the State of California to cause cancer, birth defects or other reproductive harm such as asbestos and lead in lead-based paint.
⚠ WARNING: To reduce the risk of fire, electrical shock or injury:
 • Close supervision is necessary when any appliance is used by or near children. Do not allow to be used as a toy.
 • Do not use without dust bag and/or filters in place.
 • Do not charge the unit outdoors.
 • Shock Hazard. To protect against risk of electrical shock, do not put unit or charging base in water or other liquid.
 • Do not use dry hand vacs to pick up liquids, toxic substances, flammable or combustible liquids such as gasoline or use in areas where they may be present.
 • Do not use wet/dry hand vacs to pick up toxic substances, flammable or combustible liquids such as gasoline or use in areas where they may be present.
 • Do not operate in the presence of explosives and/or flammable fumes or liquids.
 • Shock Hazard. Do not operate any appliance with a damaged cord or charger or after the appliance malfunctions, is left outdoors, dropped into water or is damaged in any manner. Return the appliance to any authorized service facility.
 • Do not use dry hand vacs outdoors or on wet surfaces.
 • Do not abuse the cord. Never carry the charger or base by the cord or yank to disconnect from an outlet; instead grasp the charger and pull to disconnect. Keep cord away from heated surfaces. Do not pull cord around sharp edges or corners.

- Do not allow the cord to hang over the edge of a table or counter or touch hot surfaces. The unit should be placed or mounted away from sinks and hot surfaces.
 - Do not use an extension cord. Plug the charger directly into an electrical outlet.
 - Use the charger only in a standard electrical outlet (100-240V/50-60Hz).
 - Do not attempt to use the charger with any other product; do not attempt to charge this product with any other charger. Use only the charger supplied by the manufacturer to recharge.
 - Keep hair, loose clothing, and all parts of body away from openings and moving parts.
 - Do not insert accessories when unit is running.
 - Shock Hazard. Do not handle plug or appliance with wet hands.
 - Do not put any object into unit openings. Do not use with any openings blocked; keep free of dust, lint, hair, and anything that may reduce air flow.
 - Fire Hazard. Do not vacuum burning or smoking materials, such as lit cigarette butts, matches or hot ashes.
 - Do not use on or near hot surfaces.
 - Use extra caution when cleaning on stairs.
 - This appliance is intended for household use only and not for commercial or industrial use.
 - Use only as described in this manual. Use only manufacturer's recommended attachments.
 - Unplug the charger from outlet before any routine cleaning or maintenance.
 - This product includes rechargeable Lithium Ion batteries. Do not incinerate batteries as they will explode at high temperatures.
 - If battery contents come into contact with the skin immediately wash area with mild soap and water. If battery liquid gets into the eye, rinse water over the open eye for 15 minutes or until irritation ceases. If medical attention is needed, the battery electrolyte for Lithium Ion batteries is composed of a mixture of liquid organic carbonates and lithium salts.
- ⚠ WARNING:** Do not look into the air vents when the unit is switched on, as sometimes there is a possibility of small debris being discharged from the air vents, especially after cleaning/replacement of the filters as debris inside the unit can be disturbed.
- The charger supplied with this product is intended to be plugged in such that it is correctly orientated in a vertical or floor mount position.

SAFETY WARNINGS AND INSTRUCTIONS: BATTERIES

- Do not disassemble or open, drop (mechanical abuse), crush, bend or deform, puncture, or shred.
- Do not modify or remanufacture, attempt to insert foreign objects into the battery, immerse or expose to water or other liquids, or expose to fire, excessive heat including soldering irons, or put in microwave oven.
- Only use the battery/tool with a charging system specified by the manufacturer/supplier.
- Do not short-circuit a battery or allow metallic or conductive objects to contact both battery terminals simultaneously.

- Dispose of used batteries promptly according to the manufacturer/suppliers instructions.
- Improper battery use may result in a fire, explosion, or other hazard.
- Battery/tool usage by children should be supervised.

SAFETY WARNINGS AND INSTRUCTIONS: CHARGING

- This manual contains important safety and operating instructions.
- Before using battery charger, read all instructions and cautionary warnings on battery charger and product using battery. CAUTION: To reduce the risk of injury, use this charger only with this product. Batteries in other products may burst causing personal injury or damage.
- Do not expose charger to rain or snow.
- Use of an attachment not recommended or sold by KAITELY may result in a risk of fire, electric shock, or injury to persons.
- To reduce risk of damage to electric plug and cord, pull by plug rather than cord when disconnecting charger.
- Make sure cord is located so that it will not be stepped on, tripped over, or otherwise subjected to damage or stress.
- An extension cord should not be used unless absolutely necessary. Use of improper extension cord could result in a risk of fire, electric shock or electrocution.
- Use only the supplied charger when charging your tool. The use of any other charger could damage the tool or create a hazardous condition.
- Use only one charger when charging.
- Do not attempt to open the charger. There are no customer serviceable parts inside. Return to any authorized service center.
- Do not incinerate the tool or batteries even if they are severely damaged or completely worn out. The batteries can explode in a fire. Toxic fumes and materials are created when lithium ion battery packs are burned.
- Do not charge or use battery in explosive atmospheres, such as in the presence of flammable liquids, gases or dust. Inserting or removing the battery from the charger may ignite the dust or fumes.
- If battery contents come into contact with the skin, immediately wash area with mild soap and water. If battery liquid gets into the eye, rinse water over the open eye for three minutes or until irritation ceases. If medical attention is needed, the battery electrolyte is composed of a mixture of liquid organic carbonates and lithium salts.
⚠ WARNING: Burn hazard. Battery liquid may be flammable if exposed to spark or flame.

PRODUCT USAGE

<p>Charging station installation Take the charging station and accessories storage base out from the package, install as the right image.</p>	
<p>Check the hepa filter</p>	
<p>On-off and power adjustment Pls charge the machine for your first time usage, then press the switch for 0.5 seconds to start with low class. Press the switch again to have high class. Press the switch the third time to turn off the machine. If the machine switch is pressed by over 5 seconds, the machine will be locked and you need to charge to restart it.</p>	
<p>Charging Two charging modes: 1. Insert to A hole of machine body. 2. Put the machine on the base and insert the charger to the hole of charging station B. -Three blue lights will be when charging. -Three lights are all on in blue when fully charging, and they will be off after fully charging for 10 minutes. -It takes 4-5 hours to have fully charging Lights will be flashed in red if the battery temperature is too high or too low. Normal charging can be made after the temperature is back to normal</p>	

ACCESSORIES USAGE

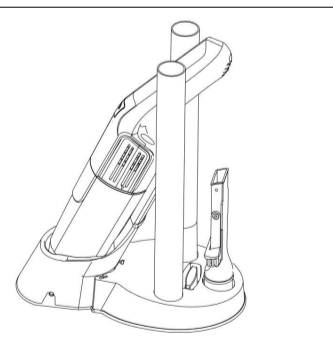
<p>Combined brush usage Insert the brush into the dust cup, fix it to start using, changeable by turning over the brush head 1. Flat nozzle can be for table, counter, sofa and so on. 2. Brush can be for curtain, computer key, ceiling and so on.</p>	
<p>Floor brush usage Insert the extension tubes and floor brush into the dust cup. Floor brush can be used for floor, tile and carpet cleaning</p>	

MAINTENANCE

<p>Take down the dust cup Hold the machine and dust cup, turning them apart to unlock status when it is off.</p>	
<p>Disassemble the hepa filter Lift the hepa filter, empty the dust cup, turn and take the hepa filter from the metal covering.</p>	
<p>Clean the hepa filter Clean and dry the filter set and dust cup before using (no exposure to the sun).</p>	
<p>Install the hepa filter Install the filter set according to the opposite way to the above steps, align the dust cup with machine body, turn in right until you hear lock sound.</p>	

STORAGE

All accessories can be stored as the right image.



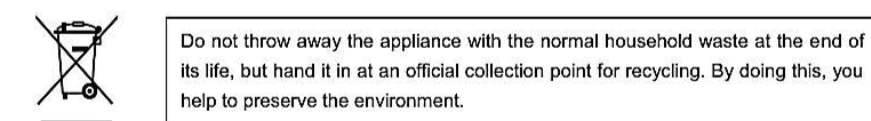
FAULT HANDLING

Fault	Possibilities	Method
No working	-No power -Overheat protector -Failure switch	-Charge the machine -Restart the machine after cooling -After-sales repair
Weak suction	-Full dust cup -Full dust on the filter set -Block in the brush or tube	-Empty the dust cup -Clean or change the filter set -Clean the dust in the brush
Short using time after charging	-Shortage of charging time -Ageing battery	-Fully charge the machine according to the instructions -Battery is quick-worn part, please buy a new one for replacement

SPECIFICATIONS

Rated voltage	11.1V
Rated power	100W
Battery capacity	2000mAh
Rated voltage for the charger	100-240V~ 50/60Hz
Output of the charger	14V, 500mA
Dust cup capacity	0.5 L
Charging time	4-5h
Working time	13-25min

ENVIRONMENT FRIENDLY DISPOSAL



BALZANO products are intended for household use only
 BALZANO has policy of continuous improvement in product quality and design. The company, therefore reserves the right to change the specification of its model at any time.

