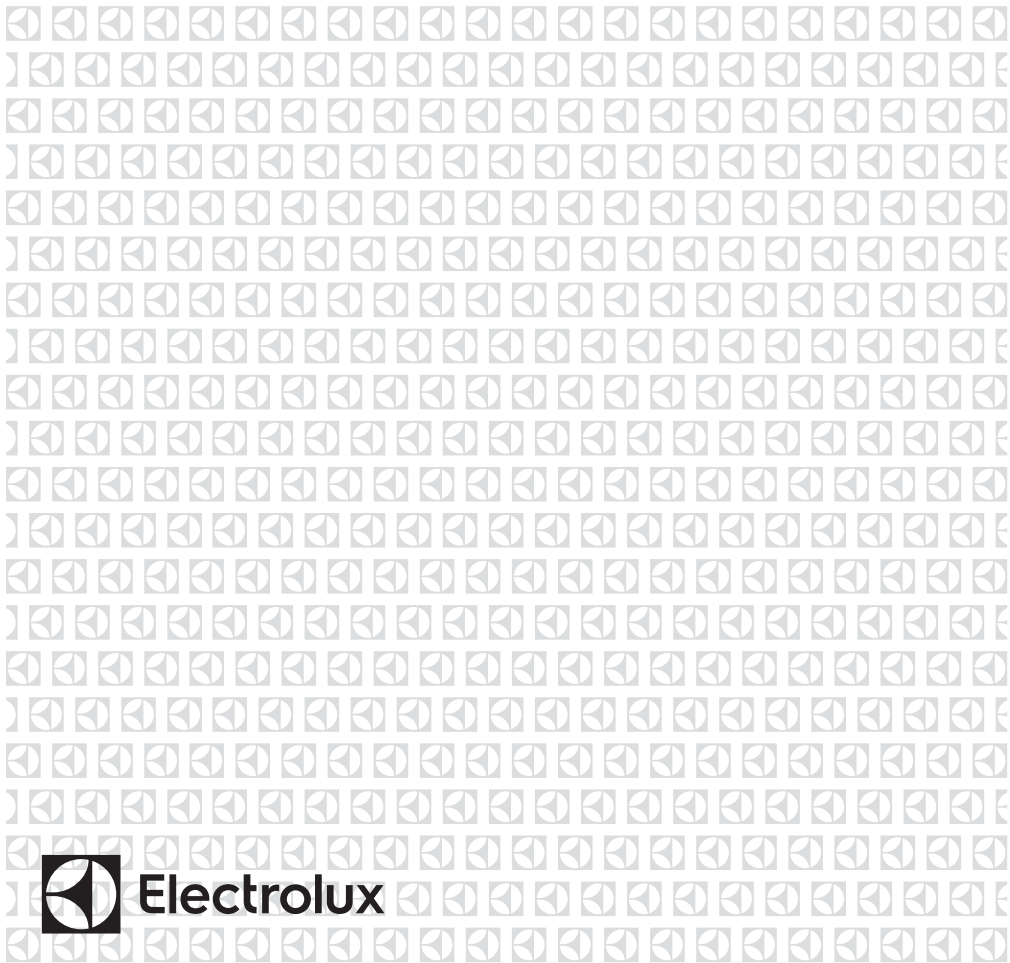


ECI9455B
ECI9455S

EN Cooker hood

User Manual

1



WE'RE THINKING OF YOU

Thank you for purchasing an Electrolux appliance. You've chosen a product that brings with it decades of professional experience and innovation. Ingenious and stylish, it has been designed with you in mind. So whenever you use it, you can be safe in the knowledge that you'll get great results every time. Welcome to Electrolux.

BEFORE USING YOUR APPLIANCE

Before you use the rangehood, we recommend that you read through the whole user manual which provides the description of the rangehood and its functions. To avoid the risks that are always present when you use an electrical appliance, it is important that the rangehood is installed correctly and that you read the safety instructions carefully to avoid misuse and hazards.

For future reference, please store this booklet in a safe place.

CONDITIONS OF USE

This appliance is intended to be used in household and similar applications such as

- Staff kitchen areas in shops, offices and other working environments
- Farm houses
- By clients in hotels, motels and other residential type environments
- Bed and breakfast type environments

BEFORE YOU CALL

Please ensure you read the instruction manual fully before you call for service, or a full service fee could be applicable.

RECORD MODEL AND SERIAL NUMBER HERE:

Model: _____

Serial NO: _____

CONTENTS

- 3 **Safety information**
- 4 **Product description**
- 5 **Dimensions**
- 6 **Rangehood installation**
- 9 **Using the rangehood**
- 10 **Maintenance and cleaning**
- 11 **Troubleshooting**
- 12 **Consumer Care Center**

LEGEND



WARNING!

This symbol indicates information concerning your personal safety



CAUTIONS!

This symbol indicates information on how to avoid damaging the rangehood.



IMPORTANT!

This symbol indicates tips and information about use of the rangehood.



ENVIRONMENT!

This symbol indicates tips and information about economical and ecological use of the rangehood.

RoHS Compliant.

If at any time in future you need to dispose of this product please do Not dispose of this product with household waste, please send this product to collecting points where available

This product is RoHS compliant.

SAFETY INFORMATION

This manual explains the proper use of your new Electrolux canopy rangehood. Please read this manual carefully before using the product. This manual should be kept in a safe place for handy reference.

This rangehood is a domestic appliance which has been manufactured and tested to comply with International Standard IEC 60335.2.31.

Read the following carefully to avoid damage or injury.

- ⊘ This symbol indicates never to do this
- ⊙ This symbol indicates always do this

WARNING!

Follow these instructions carefully to avoid an electric shock or fire.

- | | |
|---|---|
| ⊙ | Young children should be supervised to ensure they do not play with the rangehood. |
| ⊘ | This appliance is not intended for use by persons (including children) with reduced physical, sensory or mental capabilities, or lack of experience and knowledge, unless they have been given supervision or instruction concerning the use of the appliance by a person responsible for their safety. |
| ⊙ | Ensure the rangehood is switched off before carrying out maintenance, to avoid any possibility of electric shock. |
| ⊘ | Never carry out flame cooking under the rangehood. |
| ⊘ | This rangehood is not recommended for barbecues. |
| ⊘ | This rangehood cannot be installed for external use. |
| ⊙ | Grease filters must be removed every four weeks (maximum) for cleaning to reduce the risk of fire. |
| ⊘ | The exhaust from the rangehood must not be discharged into any heating flue, which may carry combustion products from other sources. (Fig. 1) |
| ⊘ | The exhaust air must not be discharged into a wall cavity, unless the cavity is designed for the purpose. |
| ⊙ | There must be adequate ventilation of the room when the rangehood is used at the same time as appliances burning gas or other fuels. |
| ⊙ | Always cover lit gas burners with pots or pans when rangehood is in use. |
| ⊙ | Always switch off gas burners before you remove pots or pans. |
| ⊘ | Do not leave lit gas burners exposed due to the risk of fire. (Fig. 2) |

Electrical connection

Check that the mains voltage matches with the voltage on the data plate inside the rangehood. Check that the installation complies with standards of local building, gas and electrical authorities. Before connecting to the mains supply ensure that the mains voltage corresponds to the voltage on the rating plate inside the rangehood. If the supply cord is damaged, it must be replaced by the manufacturer or its service agent or similarly qualified person in order to avoid a hazard.

Safety warnings For the installer

When installing the rangehood, make sure you adhere to the minimum and maximum distances from the rangehood base to the hob surface (as per table on page 6).

Exhaust flue installation: The following rules must be strictly followed to obtain optimal air extraction.

- Keep exhaust flue short and straight
- Do not reduce the size or restrict exhaust flue.
- Keep bends in the exhaust flue to a minimum.
- When using flexible flue always install duct with helix pulled taut to minimise pressure loss.
- Failure to observe these basic instructions will drastically reduce the performance and increase the noise levels of the range hood.

Exhaust air must not be discharged into a wall cavity, unless the cavity is designed for the purpose. The exhaust from the cooker hood must not be discharged into any heating flue, which may carry combustion products from other sources.

NOTE: Some installations may require the telescopic exhaust cover to be cut to length. Cut with sharp tin snips or a fine-tooth hack saw blade, taking care not to distort or dent the exhaust cover.

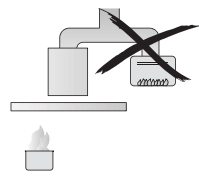


Fig. 1

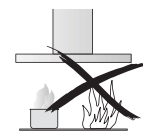
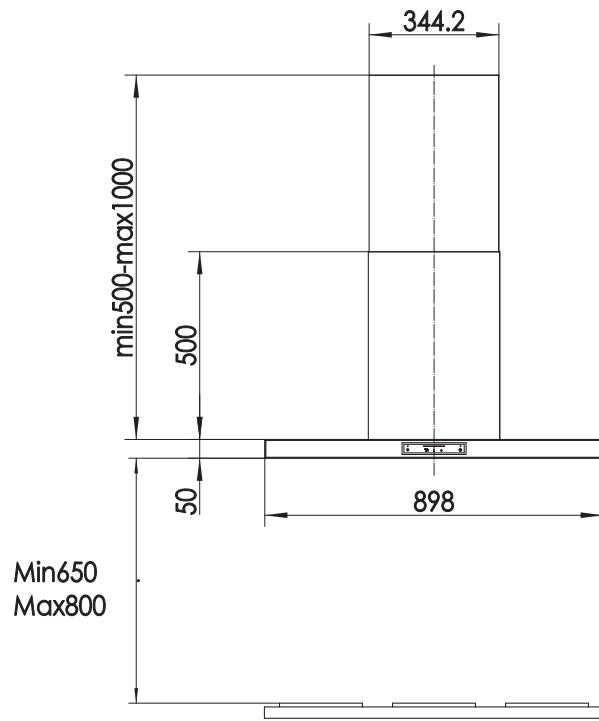
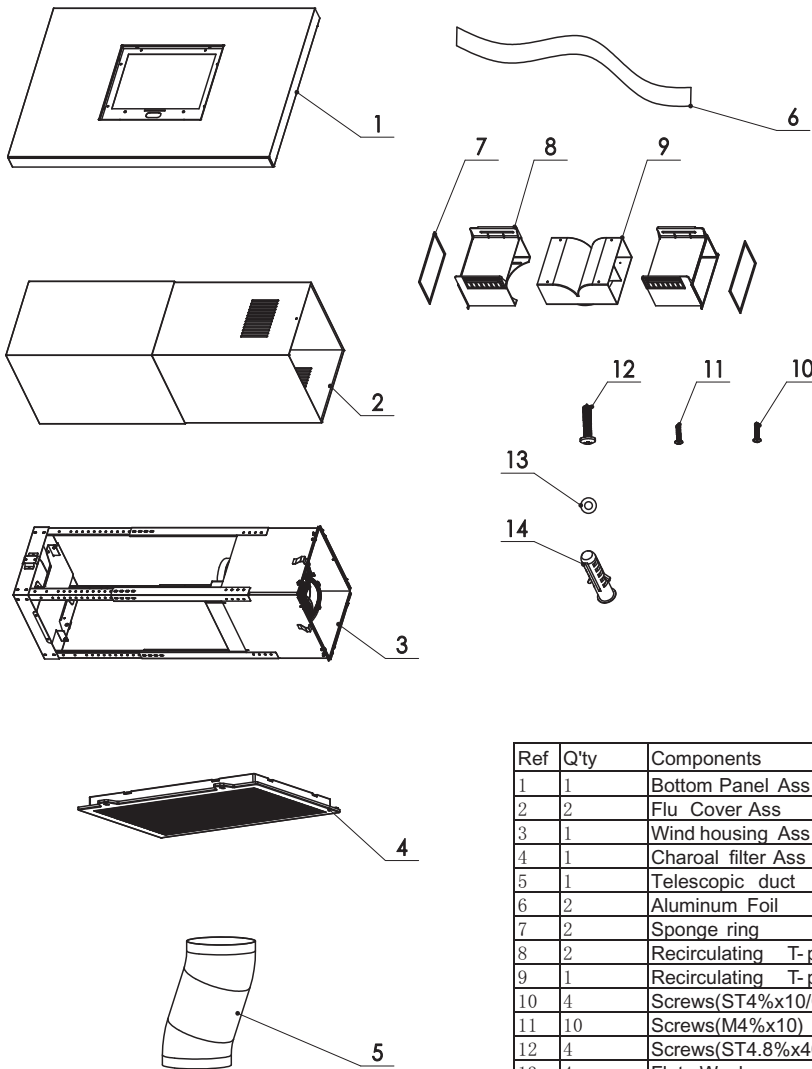


Fig. 2

DIMENSIONS



PRODUCT DESCRIPTION



Ref	Q'ty	Components
1	1	Bottom Panel Ass
2	2	Flu Cover Ass
3	1	Wind housing Ass
4	1	Charcoal filter Ass
5	1	Telescopic duct
6	2	Aluminum Foil
7	2	Sponge ring
8	2	Recirculating T-pieces
9	1	Recirculating T-pieces I
10	4	Screws(ST4% \times 10/C)
11	10	Screws(M4% \times 10)
12	4	Screws(ST4.8% \times 40)
13	4	Flat Washers
14	4	Plastic expansion plug

INSTALLING THE HOOD

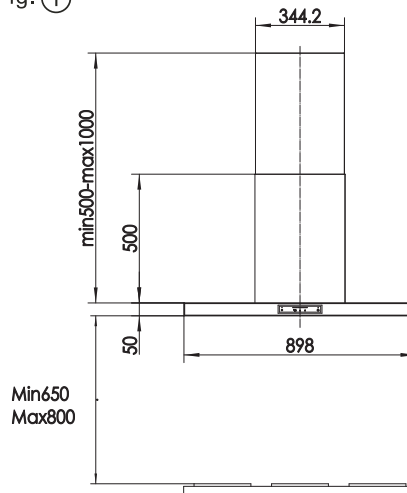
Preparation

- The vent hood should be on site before final framing and wall finishing. This will help to accurately locate the duct work and electrical service.
- Installation will be easier if the vent hood is installed before the cooktop and countertop are installed.

Ductwork and wiring locations:

- Determine the exact location of the vent hood.
- Plan the route for venting exhaust to the outdoors.
- Use the shortest and straightest duct route possible.
- Refer to “Ductwork installation guidelines” chart to compute the maximum permissible length for duct runs to the outdoors (fig. ①).

Fig. ①



Ducting installation guidelines

- For safety reasons when ducting outdoors (not using a recirculation kit), ducting must vent directly outdoors (not into an attic, underneath the house, into the garage or into any enclosed space).
- Keep duct runs as short and straight as possible.
- Duct fittings (elbows and transitions) reduce air flow efficiency.
- Back to back elbow and “S” turns give very poor delivery and are not recommended.
- Flexible metal round ducts should only be used when no other duct fitting exists. limit use to short lengths and do not crush when making corners.

Removing the packaging

⚠ CAUTION

Remove the carton carefully.
Wear gloves to protect against sharp edges.

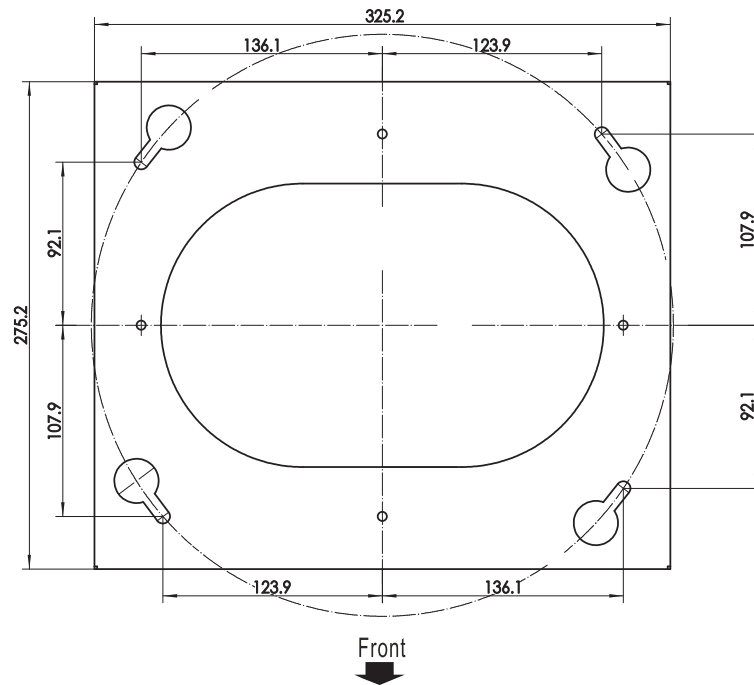
⚠ WARNING

Remove the protective film covering the product before putting into operation.

Ceiling Support Structures

- This vent hood is heavy. Adequate structure and support must be provided in all types of installations. Framing must support minimum 40kg load.
- At the hood location, adequate bracing is required to support the weight of the hood (fig. ②).

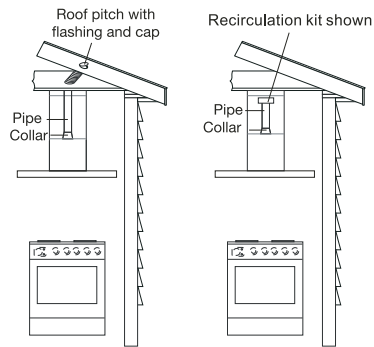
Fig. ②



⚠ NOTE: Do not cut the duct opening shown on the template for the recirculating installation.

Examples of possible ducting or air recirculation

Fig. ④



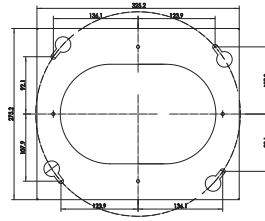
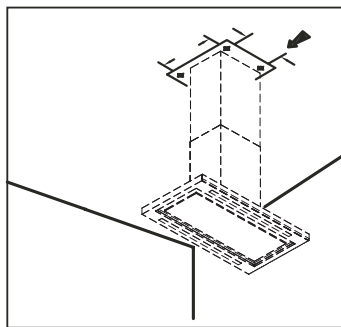
IMPORTANT

This range hood is very heavy. Adequate structure and support must be provided in all types of installations.

Step 1

- Make sure that no cables or pipes will become damaged (e.g. electric, gas, water; test the areas in question with a cable detector).
- Mark and drill 4 holes into the ceiling. Measure as displayed in diagram (fig. ⑤). The holes must be drilled into a wood structure capable to support 40kg load .

Fig. ⑤



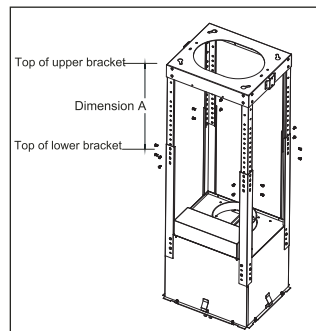
NOTE

1. The center of the template must match the center of the cooktop and the edges must be parallel to the sides of the cooktop.
2. Have a suitable ladder ready so that you can easily reach up to the ceiling.

Step 2

Unscrew 16 screws between the two sections of the structure. Adjust extension of the hood support structure (dimension A), as the final height of the hood depends on this, and remember that with installation completed to the hood must be at least 650mm above the cooktop.

Fig. ⑥

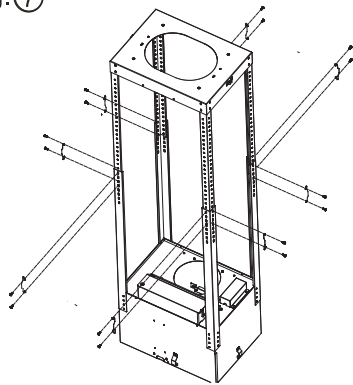


* 2 " Dimension A" represents the height from the top of upper bracket to the top of lower bracket (fig. ⑥).

Step 3

Fix the two sections of the structure using 16 screws.

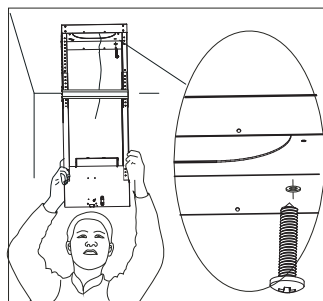
Fig. (7)



Step 4

- Mount the truss part (2) onto the ceiling with 4 sets of long screws (6) and washers (8) (fig. (8)).
- Make sure the power cable for the range hood is routed inside the bracket.

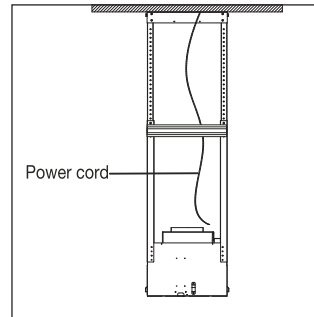
Fig. (8)



Electrical connection

- Electrical wiring must be done by a qualified person(s) in accordance with all applicable codes and standards. Turn off electrical power at service entrance before wiring.
- If the power cord is damaged, it must be replaced by manufacturer, its agent or similarly qualified persons in order to avoid hazard.
- Do not use the plug and an extension cord other than the ones initially supplied with the hoods.
- The earthing of this hood is compulsory. Do not remove the ground prong of the plug.

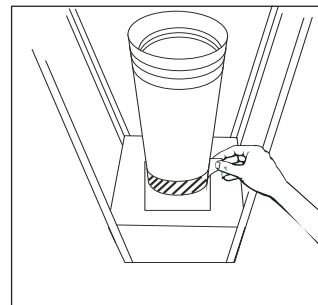
Fig. (10)



Step 6

Place the exhaust duct onto the outlet and secure it with duct tape (not provided) (fig. (14)).

Fig. (14)



Step 7

Insert the top chimney into the truss (fig. (15)), secure it with two screws (7). Insert the bottom chimney in its seat so that it completely covers the motor compartment and electrical connection box (fig. (10)).

Fig. (15)

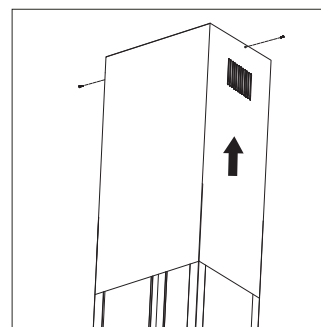
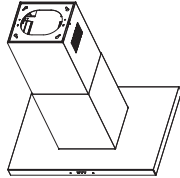


Fig.(16)



⚠ CAUTION

Danger of injury. The chimney skirts may have some sharp edges.

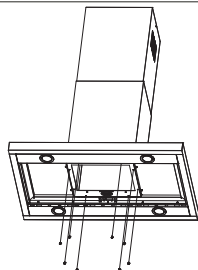
Step 8

Hook the hood body onto the truss, ensuring it fits properly, secure the body to the truss with 12 screws (7) then tighten it(fig. 17).

➡ IMPORTANT

Make sure the wire terminal passes through the hole on the air house (fig. 16)

Fig. (17)



➡ IMPORTANT

Before hooking the hood onto the truss, please make sure the aspiration plate and filter have been removed from the body to avoid it fall and injury to installer.

Step 9

Connect as shown the wire terminal and the controller terminal(fig.18). Ensure the wire supplied cover secure firmly with three screws (7)(fig.19).

Fig.(18)

The hole on the air house

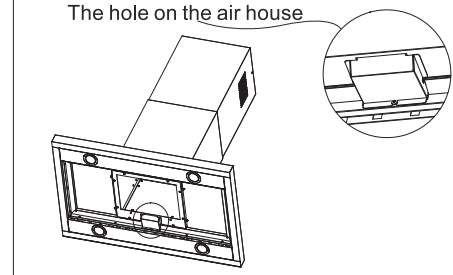
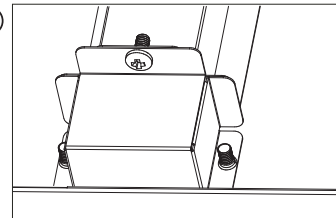


Fig. (19)

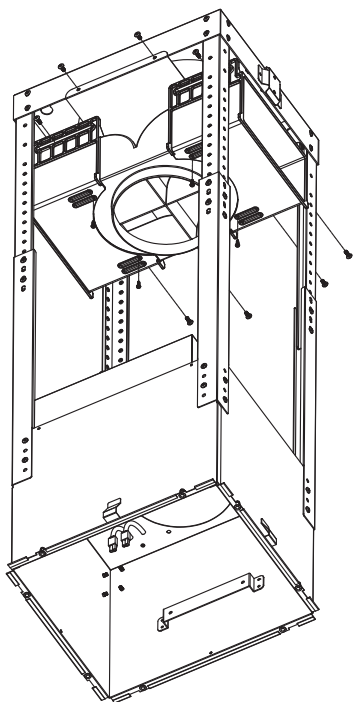


Air recirculation operation


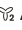

Recirculated air: Kitchen fumes are removed and after purification are fed back into the room through the upper ventilation openings. The purification takes place via metallic anti-grease filter. No wall breakthrough is required for recirculated air operation.





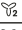
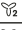
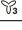
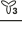


Installing range hood to the wall in recirculation mode

- Fix the recirculation plate to mounting plate with 4 supplied short screws. Fix the recirculation box with 8 supplied short screws
- Install charcoal filter to each side of the blower motor by inserting the filters onto the "T" shaped stud and twisting to lock them into place.



OPERATION

Press one of the speed  /  /  button to turn the appliance on.

Button	Function
	Press button  to switch the appliance off.
	Press button  for low speed.
	Press button  for medium speed.
	Press button  for high speed.
	Press button  to set the light to a low intensity. Press the second time to set the light to a medium intensity. Press the third time to set the light to a high intensity. Press the fourth time to turn the light off.

For best performance

NOTE

It is recommended to use the range hood while cooking and for several minutes after cooking to reduce humidity and odors inside your kitchen space.

- Turn on the range hood before starting to cook.
- Clean the filters frequently (refer to Cleaning and maintenance below).
- Use low speed for normal use and higher speed for strong odors or fumes.

CLEANING AND MAINTENANCE

Cleaning

DANGER

Always switch off the electricity supply at the breaker box during installation, cleaning, or maintenance.

NOTE

The efficiency of the range hood depends on the cleanliness of the intake and filters. Grease should not be allowed to accumulate on hood or filter.

- Clean the appliance in the following intervals:

Regularly	Use a soft cloth moistened with hand-warm mildly soapy water or household cleaning detergent. Never use metal pads, chemical, abrasive material or stiff brush to clean the appliance.
Monthly	<p>Aluminum filter: The filter collects grease, smoke and dust so the filter is directly affecting the efficiency of the range hood. If not cleaned, the grease residue (potential flammable) will saturate on the filter. Clean it with household cleaning detergent. The filter is dishwasher safe.</p> <p>Recirculation box: clean the ventilation openings on the top sides.</p>
Every 4 - 6 months	<p>Charcoal filters:</p> <ul style="list-style-type: none"> • If the model is not vented to the outside, the air will be recirculated through disposable charcoal filters that help remove smoke and odors. • The charcoal filters cannot be cleaned, they must be replaced regularly (depending on range hood usage). • Note: Do not rinse or put charcoal filters in a dishwasher. • Note: Charcoal filters are not included with the range hood.

IMPORTANT

Clean the filter every month to prevent risk of fire.

Maintenance

- User service-Do not repair or replace any part of the appliance unless specifically recommended in the manual. All other servicing should be referred to a qualified technician.

TROUBLE SHOOTING

Problem	Cause	Solution
Excessive vibration.	The appliance is not fixed properly on the brackets.	Take down the appliance and check it is properly fixed.
	The fan blade is damaged.	Switch off the appliance. Repair to be carried out by qualified service personnel only.
	The fan motor is not fixed tightly.	
Light on, but fan does not work.	The fan blade is jammed.	Check the electrical connection with an electrician.
	The motor is damaged.	
Both light and fan do not work.	Light bulb broken.	Replace with a bulb with correct rating.
	Problem with electrical connection.	Check the electrical connection with an electrician.
Suction performance is not good.	Distance between the appliance and the cooking place too large.	Readjust the distance.
	Metallic anti-grease filter is dirty.	Clean filters(see Cleaning and maintenance).
	Charcoal filter is dirty.	Charcoal filter(see Cleaning and maintenance).

