



BY-PM300

USB MICROPHONE

USB麦克风

Instruction Manual
用户手册



Instruction Manual

Thanks for purchasing BOYA!

BY-PM300 is a desktop USB microphone, compatible with most Android phones and Windows/Mac computers. With excellent cardioid pickup pattern, BY-PM300 is focused on picking up sound in front of the microphone and effectively reduces unwanted background noise. It is ideal for home-studio recording, podcasting, vocal performance, and more.

BY-PM300 features gain control, headphone volume control and mute function. The 3.5mm headphone jack enables real-time monitoring. Detachable desktop stand allows you to adjust the microphone at the desired angle.

Package contents

- BY-PM300 Microphone
- Type-C to USB-A Cable
- Type-C to Type-C Cable



Cautions

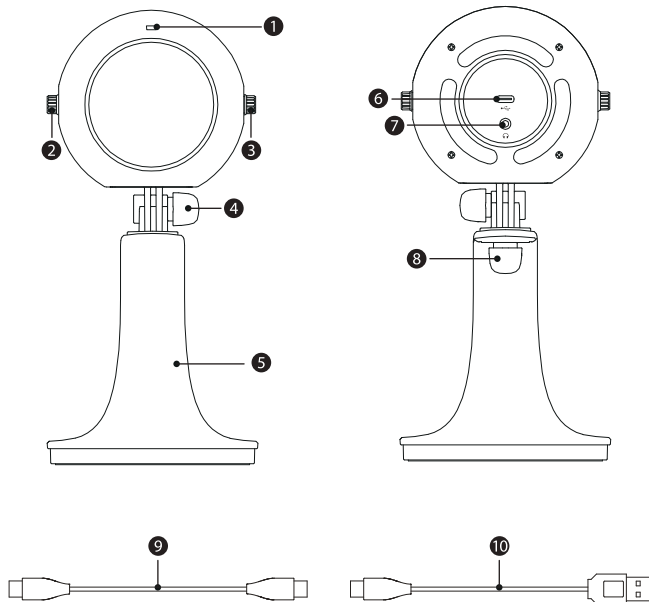
If you do not intend to use the microphone for a long period of time, please remove the USB cable.

Do not touch the microphone while recording, as this will cause noise to be recorded.

Do not let the microphone close to high-voltage equipment or to devices that emit strong electromagnetic fields, otherwise, it may cause the noise to be recorded.

Do not use or leave the microphone in hot, humid places.

Product Structure



1. Power indicator

Mode	Indicator
Power on	Solid blue light
Power off	Light off
Mute on	Solid red light

2. Gain control

- Turn the knob to adjust gains for microphone input level.

3. Headphone volume/mute control

- Turn the knob to adjust the headphone volume.

- Short press the knob to mute/unmute the microphone.

4. Locking knob for angle adjustment

5. Desktop stand

6. Type-C audio output

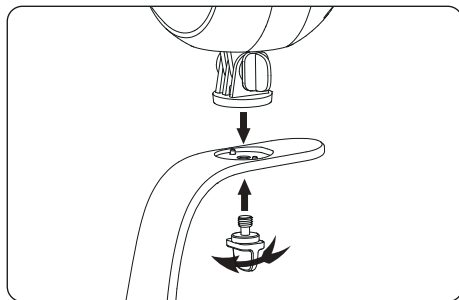
7. 3.5mm headphone output

8. Locking knob for stand

9. Type-C to Type-C audio output cable

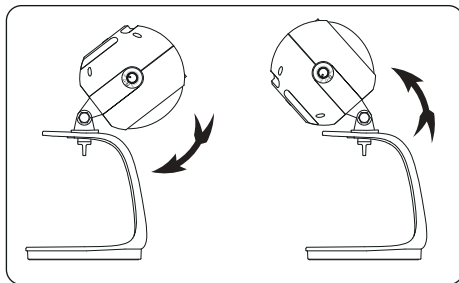
10. Type-C to USB-A audio output cable

Installation Guide

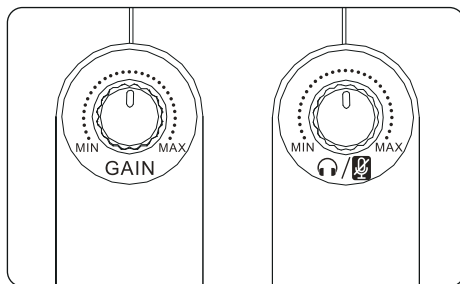


How to Use

1. Loosen the locking knob, adjust the microphone at the desired angle, then tighten the knob.



2. Turn the gain control and the volume control knobs to 50% level position before recording.



Note: 50% is recommended. Please turn it up/down according to your needs.

3. Connect the microphone to a computer with the supplied cable.
4. Connect your headphone to the 3.5mm headphone jack for real-time monitoring.

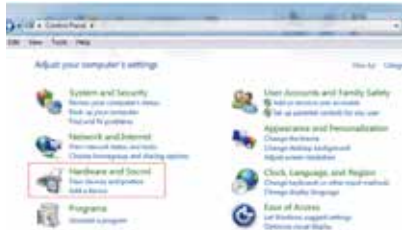
Setup for Windows 10

1. Connect the microphone to your computer using the supplied USB-A cable.
2. Go to "Setting", choose "Sound" as shown.
3. Select "Speaker BY-PM300" as Output device.
4. Select "Microphone BY-PM300" as Input device.



Setup for Windows 7

1. Connect the microphone to your computer using the supplied USB-A cable.
2. From the "Setting Menu", select the "Control Panel".
3. Go to "Control Panel", select "Hardware and Sound"



4. Select "Sound"



5. Select "Speaker BY-PM300" as the default device in the "Sound", under "Playback" menu.



6. Select "Microphone BY-PM300" as the default device in the "Sound", under "Recording" menu.



Setup for Apple System

1. Connect the microphone to your computer using the supplied cable.
2. Go to Apple Icon-->System Preferences-->Sound Icon.



3. Select "BY-PM300" under "Input" tab.



4. Select “BY-PM300” under “Output” tab.



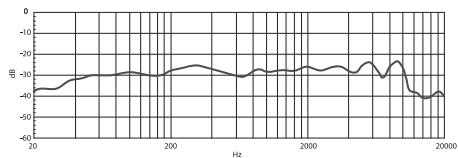
Features

- High-quality desktop USB microphone
- Ideal for home-studio recording, podcasting, vocal performance, etc
- Compatible with most Android phones, Windows/Mac computers
- Gain control, headphone volume control and mute function
- 3.5mm headphone jack for real-time monitoring
- Excellent cardioid polar pattern
- Durable detachable microphone desktop stand

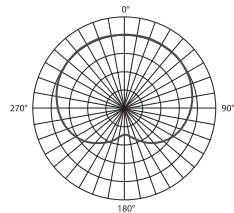
Specification

Polar Pattern	Cardioid
Frequency Response	20Hz-20kHz
Sensitivity	-45dB (0dB=1V/Pa, 1kHz 1Pa)
Power Consumption	5V/120mA
Signal to Noise Ratio	75dB
Maximum SPL	110dB
Mic Gain	38dB
Sample Rate	48kHz
Bit Depth	16bit/24bit
Audio Output Connector	3.5mm headphone output Type-C
Dimensions	249.6×114.9×118.8mm (9.9×4.5×4.7")
Weight	556g (19.6 oz)

Frequency Response



Polar Pattern



感谢您选择BOYA!

博雅BY-PM300是一款桌面式USB麦克风，适用于Windows、Mac电脑和大部分安卓手机。BY-PM300具有出色的心形拾音模式，专注于收录麦克风前方声音，有效减少背景噪音。它可以在各种场合中使用，如家庭工作室录音、播客、人声表演等。

BY-PM300具有增益控制，耳机音量控制和静音功能。机身后面的3.5mm耳机插孔可实现实时监听功能。产品具备可拆卸桌面支架，用户可根据自身使用场景，自由调节麦克风角度。

包装清单

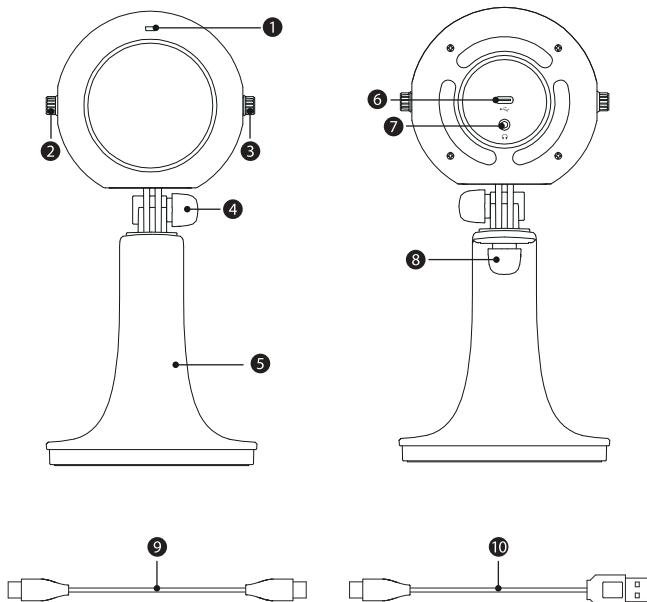
- BY-PM300麦克风
- Type-C转USB-A音频线
- Type-C转Type-C音频线



注意事项

- 如果您长时间不使用麦克风，请拔下USB线。
- 在录音时，请勿触碰麦克风，否则噪音也将收录进去。
- 请勿将麦克风靠近高压设备或发射强电磁场的设备，否则可能导致噪音也收录进去。
- 请勿将麦克风放置高温或潮湿的地方。

产品结构



1. 电源指示灯

模式	指示灯状态
电源开启	蓝灯常亮
电源关闭	熄灭
静音模式	红灯常亮

2. 增益调节旋钮

- 转动旋钮进行麦克风增益调节。

3. 耳机音量调节旋钮/静音键

- 转动可调节耳机监听音量
- 短按为打开/关闭静音功能

4. 麦克风角度调节旋钮

5. 麦克风支架

6. Type-C接口

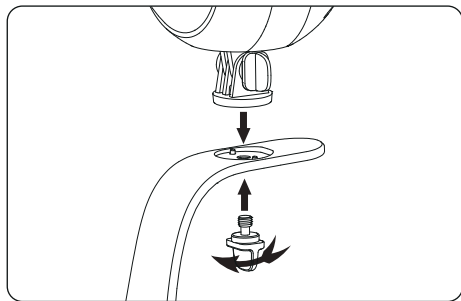
7. 3.5mm耳机插孔

8. 支架固定旋钮

9. Type-C转Type-C音频线

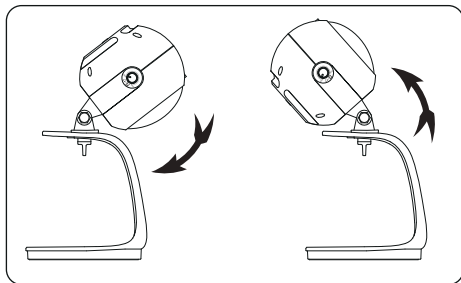
10. Type-C转USB-A音频线

安装指南

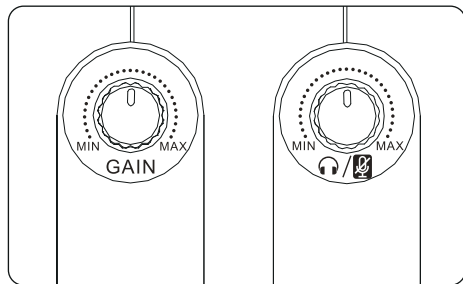


使用方法

1. 松动旋钮，将麦克风调整到所需的角度，然后拧紧旋钮。



2. 将耳机音量旋钮、增益调节旋钮调节至50%位置。



注意：

建议初始旋钮调节到50%位置。若音源声过大导致声音失真，则往逆时针转动减小增益/音量；若音源声过小，则往顺时针方向转动提高增益/音量。

3.通过配套的转接线，将麦克风连接至电脑或手机。

4.将耳机插入耳机孔可实时监听音频。

程序设置

Windows 10系统

1. 用配备的转接线将麦克风接入电脑。
2. 在设置界面选择“声音”。
3. 选择扬声器BY-PM300为输出设备。
4. 选择麦克风BY-PM300输入设备。



Windows 7系统

1. 用配备的转接线将麦克风接入电脑
2. 在“开始菜单”里选择“控制面板”
3. 点开“控制面板”选择“硬件和声音”



4. 选择“声音”



5. 在“播放”选项中选择“扬声器 BY-PM300”为默认声音设备



6. 在“录制”选项中选择“麦克风 BY-PM300”为默认声音设备



苹果系统

1. 用配备的转接线将麦克风接入电脑
2. 进入Apple主菜单-->系统偏好设置
--> 声音



3. 选择“BY-PM300”为输入设备



4. 选择“BY-PM300”为输出设备



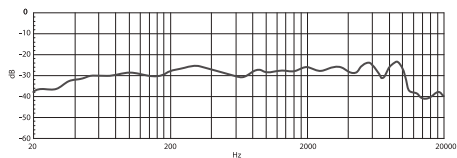
特点

- 高品质桌面式USB麦克风
- 适用于家庭工作室录音、播客、人声表演等场景
- 兼容Windows、Mac电脑和大部分安卓手机
- 具备增益控制、耳机音量控制和静音功能
- 3.5mm实时监听耳机插孔
- 出色的心形拾音模式
- 耐用可拆卸麦克风桌面支架

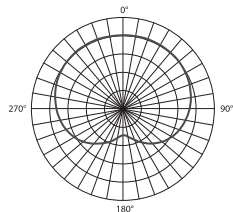
参数

拾音模式	心形
频率响应	20Hz-20kHz
灵敏度	-45dB (0dB=1V/Pa, 1kHz 1Pa)
功率消耗	5V/120mA
信噪比	75dB
最大声压级	110dB
麦克风增益值	38dB
采样率	48kHz
位宽	16bit/24bit
音频输出接口	3.5mm 耳机插孔 Type-C 接口
尺寸	249.6×114.9×118.8mm
重量	556g

频率响应



极性模式



www.boya-mic.com

SHENZHEN JIAYZ PHOTO INDUSTRIAL., LTD.

The BOYA logo is a trademark which is registered and owned by Shenzhen Jiayz Photo Industrial., Ltd.

深圳市长丰影像器材有限公司

地址:深圳市龙华区观澜街道大富社区硅谷动力智能终端产业园A16栋

TEL: 400 6131096

Email: sales@boya-mic.com

www.boya-mic.com / www.jiayz.com