



boAt Avante Bar 1550 User Manual

[Home](#) » [Boat](#) » boAt Avante Bar 1550 User Manual 

Contents

- [1 Avante Bar 1550](#)
- [2 Specifications](#)
- [3 Controls & Connections](#)
- [4 Troubleshooting FAQs](#)
 - [4.1 Poor Sound Quality](#)
 - [4.2 Connectivity](#)
 - [4.3 Other Functional Issues](#)
- [5 General FAQs](#)
 - [5.1 Technology](#)
 - [5.2 Device Controls](#)
 - [5.3 Water/Dust Protection](#)
- [6 Related Posts](#)

Avante Bar 1550

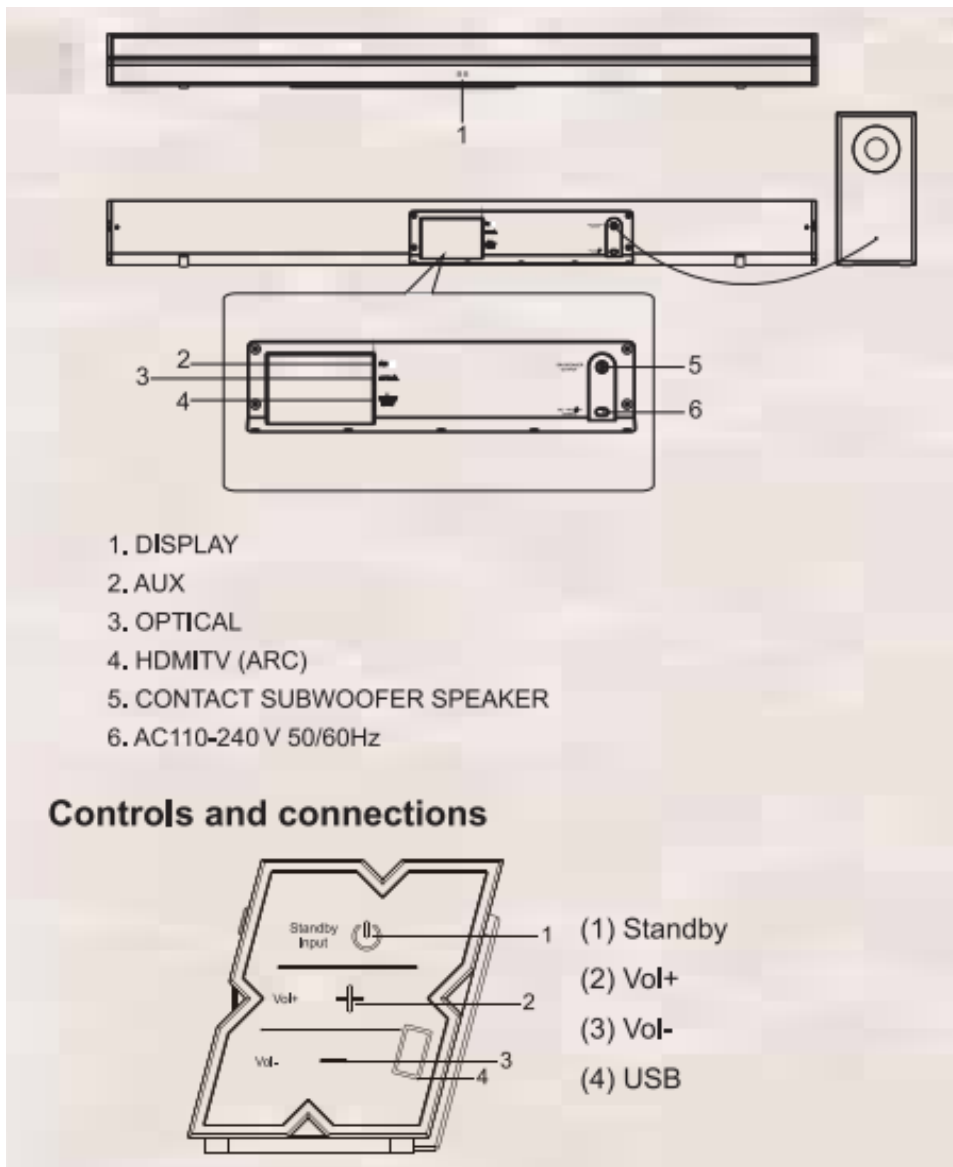


User Manual

Specifications

Speaker Type	2.1 Sound Bar with Sub Woofer
Driver Type	Digital Audio Power Amplifier
Driver Size	5.715cm*4 SB + 16.51cm SW
No. of Drivers	5
Impedance	4Ohms * 2 + 4Ohms
Sensitivity	SB: 800mV±50mV; SW: 400mV±50mV
Frequency Response	80Hz - 20KHz
Signal Noise Ratio	≥ 72dB
Wireless Technology Type	Bluetooth
Bluetooth Version	5.0
Compatibility	All Bluetooth Devices
Bluetooth Range	10M

Controls & Connections



Troubleshooting FAQs

Poor Sound Quality

What to do if the woofer sound is distorted?

1. Place your device on a stable platform.
2. Try to reset the device.

What to do if the Volume is low?

1. Check the volume on your OTT app settings and your TV settings.
2. Try to change the mode(Example: switch the mode from AUX or Bluetooth).
3. Check if the same problem happens for different devices and media players.

What to do if the Bass is low?

It usually depends on the type of song played. For example the bass of old songs are generally lesser than the bass of current songs.

What to do if the speaker/ the woofer occasionally keeps disconnecting the Speaker?

1. Check if restarting the speaker resolves the issue.
2. Check if the same problem happens for different devices and media players.
3. Check if there are any obstructions between the speaker and the device, move the device at a closer range to the speaker and see if it still affects it.
4. Try factory-resetting the device.

What if there is no sound output from the device?

Check that the volume level isn't turned down or off or alternatively try turning to another FM station. If you are connected to another device, ensure the volume level of the device is audible and that the device has been connected correctly.

Connectivity

How to pair the speaker via Bluetooth mode?

1. Select Bluetooth mode by short pressing the "Mode" button.
2. The Speaker will automatically enter Bluetooth pairing mode and become discoverable on your smart device. The Bluetooth LED will blink rapidly to indicate pairing mode.
3. Enter the Bluetooth device list on your smart phone and search for "Avante Bar 1550" and select to pair. The LED will be ON and not blink when the connection has been established.
4. Once the music starts playing, the LED light will blink slowly, disconnect the current device and repeat the above process to connect another device to "Avante Bar 1550".

What to do if the is device not connecting via Bluetooth?

1. Check to see if the device is in pairing mode, after powering it on the LED indicator will blink white.
2. Check if the speaker is in the range of Bluetooth (usually 10m) and if there are any obstructions in between.
3. Check if the device being connected to supports Bluetooth connections or not
4. Check if it is a passcode issue and if so enter 0000 / 1234
5. Check if the speaker being connected to does have any software issues or not – Check to forget the device on Bluetooth, update the mobile software, if it still does not work try factory resetting the device.

How to connect via AUX mode?

1. Use a 3.5mm AUX jack to connect any device you intend to use with the boAt Avante Bar 1550. Use either the buttons on the SoundBar or the "Input" button on the remote to activate AUX. A Green LED indicator will indicate that AUX mode has been selected.
2. Playback functions (play/pause/volume/tracks) cannot be adjusted through the SoundBar remote when in AUX mode. It can only be done through the Bluetooth connected device.

How to connect via USB mode?

1. Plug in your pendrive after switching the SoundBar ON, the unit will automatically read through the files and

- begin playing music. The LED indicator will flash pink when in USB mode.
2. Music playback can be controlled from the buttons on the sound bar- Volume, play/pause, change tracks through the remote.
 3. Simply remove the USB if you wish to exit this mode. You can also utilize the “Input” button on the SoundBar buttons or use the remote to change the mode.

How to connect via Coaxial mode?

1. Use a coaxial jack to connect the TV you intend to use with boAt Avante Bar 1550. Use either the buttons on the SoundBar or the “Input” button on the remote to activate Coaxial mode. A Yellow LED indicator will indicate that coaxial mode has been selected.
2. Playback functions (play/pause,tracks,pair) cannot be adjusted through the SoundBar remote when in Coaxial mode. Others playback functions can be controlled from the buttons on the SoundBar.

How to connect via HDMI?

1. Use an HDMI (2.0) cable to connect the HDMI (ARC) port on the soundbar to the HDMI (ARC) port on the TV.
2. Select the HDMI (ARC) mode by pressing the HDMI input mode button on the remote controller.
3. On the TV, select the source as HDMI (ARC) and visit the settings menu.

What to do if the Aux mode is not working?

1. Check if restarting the device resolves the issue and if the speaker is in Aux mode by short pressing the ‘Mode’ button.
2. Check if you have connected the aux cable properly and in the correct orientation on both ends.
3. Check if the problem persists even after using a different cable or different device to connect to the speaker.

What to do if the Optical mode is not working?

1. Try to check connecting it with another cable or contact the TV customer care and ask for settings.
2. Check if the same problem happens for different devices and modes.

What to do if the HDMI is not working?

1. Cable should be ARC 4K 2.0 version.
2. Contact the TV customer care in order to change the sound output.
3. The first port of HDMI should be connected to the ARC.

Other Functional Issues

What to do if device does not turn on / not working?

1. Ensure your device has Bluetooth mode switched on and is discoverable. Also ensure your device is within 10m range of the unit.
2. Check to see if the device has been properly charged first or not.

3. Check if the voltage of the charger is correct for the speaker or not.
4. Check by switching the speaker on manually, press and hold the power on button for at least 3 seconds.
5. Check if the device was not subject to any mishandling, broken wires or exposed to direct sunlight or hazards like fire.

What to do if the in-built controls of the speaker is not working?

1. Check if the controls do not work while connected to another device.
2. Check if the device is in aux mode because the buttons will not work in aux mode.
3. Check if the media player being used supports such controls and if the controls do not function on call or other media players.
4. Check if the controls have been physically damaged or exposed to any hazards like fire.

What to do if there are any other functional issues with speaker?

1. Check if restarting the device resolves the issue.
2. Fully let the speaker discharge and then charge it fully again before use.
3. Try connecting through a different connection mode or media device.

What if the Remote control is not working?

1. Change the batteries.
2. Open the mobile camera and check the Infra-Red rays to know if the remote is working or not.



With a button pressed and held, the IR LED doesn't look any different.



Through a digital camera display, the IR LED appears as a flashing, bright white light.

Why is the SB not powering on (Power on Failure)?

1. Check if the LED is blinking or not.
2. Try to check it with another switch board.
3. Check if the power cable is working or not.

Why is the woofer not working?

1. Check if the woofer wire is connected properly.
2. Check whether the connecting port is working or not.

General FAQs

Technology

Does Aavante 1550 have Dolby Digital?

No, Aavante 1550 does not come with Dolby Digital.

Does the speaker support wireless playback?

Yes. Avante Bar 1550 can be connected via Bluetooth.

Does the speaker support Aux port/ USB/ BT?

Yes. Avante bar 1550 supports AUX/ USB port/ BT.

What is the output of the subwoofer?

The subwoofer offers 60W output.

Is the subwoofer wired or wireless?

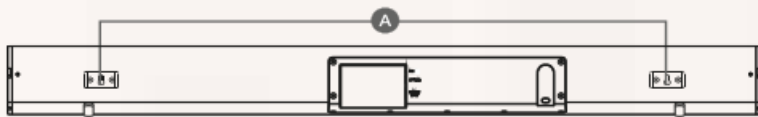
It comes with a wired subwoofer.

Device Controls

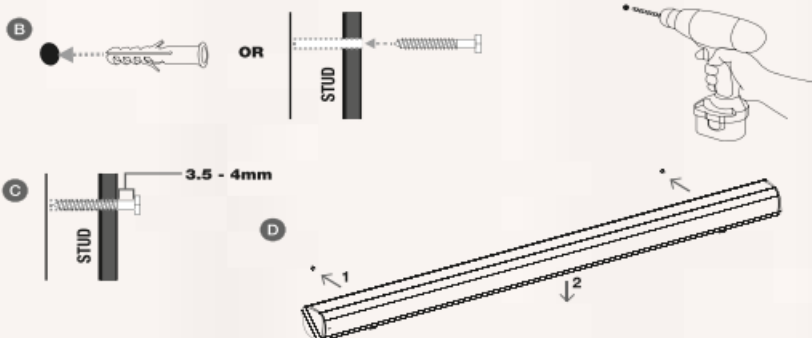
How to wall mount the speaker?

MOUNTING INSTRUCTIONS

Please measure the distance between the centre holes on the wall brackets before beginning your work.



Once you've selected the place you would like to mount the SoundBar on, drill two holes the same distance as the holes on the wall brackets of the SoundBar.



Wall anchors (fig B) are recommended for this task, or drilling into a stud. If you are using anchors, make sure that the holes you have made are deep enough to accommodate them. Be sure to leave a 3.4 - 4mm gap between the wall and the screws head (fig C).

- (1) Align the Soundbar with the mounting screws and slide it onto the same.
- (2) Tug the Soundbar down slightly to ensure that it is seated properly (fig D)

What are the different indicators/modes?

To power ON the SoundBar, simply plug in the power cord and the Red LED indicator will indicate that it is in standby mode. Below are the LED indicators for all modes.

1. Red: Standby Mode

2. Blue: Bluetooth Mode
3. Green: AUX Mode
4. Pink: USB Mode

To power ON/OFF the SoundBar, simply press and hold the standby button for up to 3 seconds until the LED light indicator changes.

To change the input mode(Bluetooth, AUX, USB) tap the standby button lightly. Each tap will make the mode change once.

What are the Remote control functions?



1. **StandBy:** Standby Mode for power ON/OFF
2. **Pair:** Long press this button to disconnect to the pairing device
3. **LUM:** Brightness Control
4. **Loop Playback:** (Only works under USB mode. Press to select "ON" to loop playback only one song, press again to select "AL" to loop playback all songs)
5. **Volume Up:** Volume increase adjustment Button
6. **Previous Song:** (Only work under USB and BT mode)
7. **Volume Down:** Volume downward adjustment button
8. **-10:** Go back 10 songs. (Only works under USB mode)
9. **Treble – :** Treble decrease button
10. **Bass:** Bass decrease button
11. **Music:** Select the music EQ effect
12. **News:** Select the News EQ effect
13. **Mute:** Mute mode
14. **Input:** AUX/USB/BT selection
15. **Reset:** Location retrieval
16. **Press to Stop:** (Only works under USB mode)

- 17. **Next Song:** (Only works under USB and BT mode)
- 18. **+10:** Go ten songs forward
- 19. **Treble+:** Treble increase button
- 20. **Bass+:** Bass increase button
- 21. **Movie:** Select the movie EQ effect
- 22. **3D:** Select the 3D EQ effect
- 23. **Play/Pause:** (Only work under USB and BT mode)

How to replace the battery of remote control?

Please insert the batteries as indicated below:

- A. Remove the battery compartment cover.



- B. Insert 2 AAA batteries according to the markings inside the compartment.



- C. Close the compartment.



Water/Dust Protection

Is the SoundBar waterproof or water resistant?

No. The SoundBar does not come with any water protection. Please operate it carefully as even a little sprinkle of water could damage the product.