

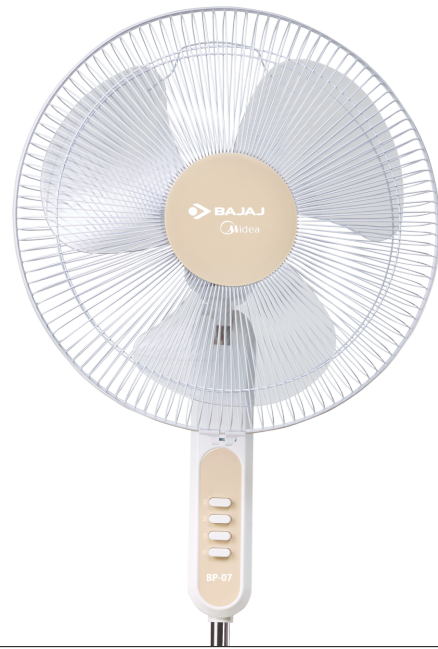
Congratulations on your purchase of the new Bajaj Midea fan.
 Bajaj Midea fans are made to exacting standards and offer you the best options, suiting your distinctive needs.

They are maintenance free and come with a 2 year warranty.

We are sure you will enjoy their cool performance for many years to come.

This info pack contains detailed instructions on how to use your fan and an exclusive warranty card which ensures your peace of mind. It is important to keep it carefully.

Thank you once again for making Bajaj Midea your Fan.



www.bajajelectricals.com
 45/47, VEER NARAYAN ROAD, MUMBAI 400 001



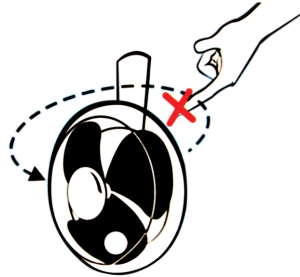
TABLE FANS, WALL FANS, PEDESTAL FANS.

Bajaj now brings to you a world class fans from Midea, the biggest manufacturer of fans. The Bajaj Midea series offers you a vast choice in all classes of fans, embodying the best combination of design, styling, technology and value for money.

 **Bajaj Electricals Ltd.**
Inspiring Trust

L DEC 2015

**DO NOT
 TURN FAN
 MANUALLY**



1. Switch on the fan
2. Wait for fan to turn to desired angle
3. Switch off the oscillation

USE & CARE MANUAL

BAJAJ Midea BP-07

400 MM PEDESTAL FAN



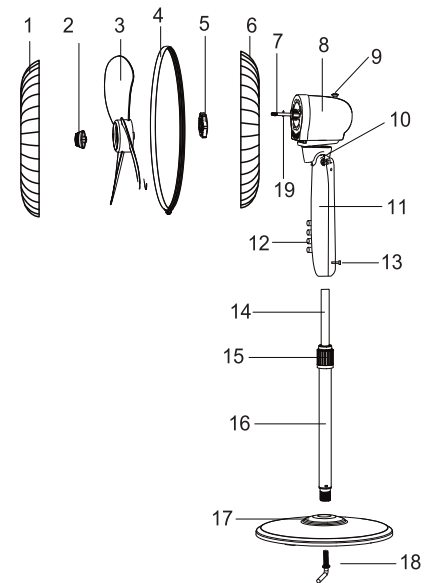
ASSEMBLY INSTRUCTIONS

BASE

- Fix the pipe (16) to the base (17) using the plate & L bolt (18), Pull out the inner pipe (14) and tighten the height adjustment knob (15)
- Insert the fan body (11) to the inner pipe (14) and tighten fully with the knob (13)

BLADE AND GRILL

- Unscrew the spinner (2) clockwise and the nut (5) counter-clockwise then remove both of them
- Set the back guard (6) in the proper position with handle up
- Screw the plastic nut (5) tightly to attach the back guard
- Install the blade (3) on to the motor shaft until it reaches the retaining pin
- Screw the spinner (2) on to motor shaft counter clockwise
- Secure both guards firmly with Plastic Ring (4) and tighten the screws at the bottom of the ring



OPERATING INSTRUCTIONS

- Plug the power supply cord into the wall outlet for 220-230V, 50Hz AC supply
- Speed is controlled by pressing the push buttons
- To start / stop fan oscillation, push down / pull up the clutch knob (9)
- The air flow can be adjusted upward or downward by pushing the guard lightly to the desired angle
- The height of the fan can be adjusted by loosening the height adjustment ring carefully raising or lowering the fan and firmly tightening the ring



SAFETY GUIDELINES

- Complete the assembly of the fan before switching on the fan
- Disconnect the fan before moving from one location to another
- Never insert fingers, pencils, or any other object through the guard when fan is running
- Do not use fan near an open window. Rain water may cause electrical hazards
- Use on a stable flat surface when operating

CLEANING

- Be sure to unplug from the electrical supply source before cleaning. Disconnect the fan when removing the guards for cleaning
- Plastic parts should be cleaned with mild soap and damp cloth or sponge and then with water thoroughly to remove the soap film. Be sure water or other liquids do not enter inside the motor
- To disassemble each part, reverse the order of assembly