

MAINTENANCE CAUTIONS

1. Make sure the fan is switched off before cleaning.
2. Never allow to use petrol, benzene or any other chemicals to clean the fan.
3. Never allow the water to contact the electrical parts such as switch, motor.
4. Never allow to immerse the blades of other resin parts of fan in hot water over 60°C,
5. If the power cord is damaged, to avoid any danger, it must be mended by the manufacturer or specialist.
6. Means for disconnection must be incorporated in the fixed wiring in accordance with the wiring rules. It shall be allowed disconnection of the appliance from the supply after installation.
7. This appliance can not be used by people who have any physical weaknesses. Children should be supervised to ensure that they do not play with the appliance.

PERFORMANCE

Sweep (mm)	Voltage (V/Hz)	Speed (RPM)	Power (W)
150	140-285V~50hz	2000	11
200	140-285V~50hz	1600	16
250	140-285V~50hz	1300	20

! WARNING Mains supply must be switched off before any installation.

! NOTICE Wiring works must be carried out by a qualified electrician.

3



EXHAUST FAN EFFICIO



OPERATION MANUAL

Please read this manual carefully to operate this fan

DESCRIPTION

This range of fans has been designed for kitchens, steam rooms, hotels and offices.

LOCATION & INSTALLATION PRECAUTIONS

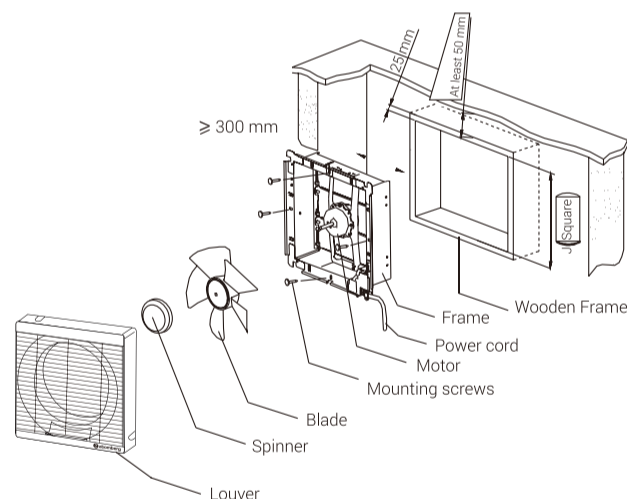
1. Ensure the fan is located as high as possible, at least 2.3 m from the ground.
2. Ensure the fan is installed opposite to a main air source, with at least 30 mm distance from the corner of the wall and ceiling.
3. Ensure the fan is mounted as close as possible to the source of steam and the outdoors, but also far enough to not be in contact with any person.

INSTALLATION

1. Make a wooden frame with dimensions as shown in the table. Then, cut a square mounting hole on the wall to fit the wooden frame. Put the frame into the wall.
2. Fix the fan body into the wooden frame with the mounting screws to tighten the fan body.
3. Assemble the front panel to the fan body. The panel can be removed by pulling the bottom upward.
4. Plug the fan to the power supply which is the same as the label indicated.
5. Try operating the fan and ensure there is no vibration or abnormal sound.
6. Never install the fan over a gas cooker or heat source.

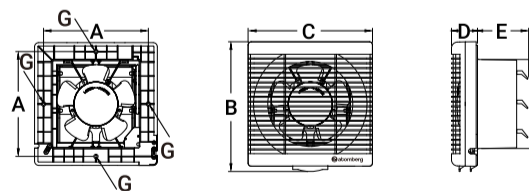
1

EXPLOSIVE DIAGRAM AND PART IDENTIFICATION



DIMENSIONS (mm) (SHORT-OIL POCKET)

Size	A	B	C	D	E	F	G
6"/150mm	206	255	245	50	77	175	Ø4.5
8"/200mm	262	306	296	50	87	245	Ø4.5
10"/250mm	313	356	346	50	93	290	Ø4.5



2

要求:

字迹清晰
无多印漏印
颜色统一

		博格百叶窗说明书		中山市安阁宜家生活电器有限公司		
		编码:	11891MS-BY	编号:		版本: A/0
尺寸:	200x145mm	材质:	105g双铜版纸	设计/日期:		核对/日期:
颜色:	黑色	结构:	双面印刷	审核/日期:		
注:	客户: 博格	销往: 伊拉克				