

## CAUTIONS

- 1 Read the instructions carefully before installation and keep them safely for future reference.
- 2 Keep the packaging out of the reach of children.
- 3 After opening the pack, ensure that no components are damaged and the fan is intact.
- 4 The fan is to be installed by a qualified technician to avoid any damages arising of wrong connections.
- 5 Never insert any object into the blade of the fan.
- 6 In the event of the fan failing to operate, all repairs must be undertaken by a company-approved service center.
- 7 Do not install the fan where it could be exposed to excess vapour or direct water contact.
- 8 The fan should be used only as an exhaust fan.
- 9 When the ventilating fan is connected with the power circuit, all-polarity switches with at least 3mm contact gap must be in the charging line. The green and yellow coloured power supply wires should be earthed.
- 10 Precautions must be taken to avoid the back-flow of gases into the room from open gas flues or other open-fire appliances.

## MAINTENANCE

- 1 Before carrying out any cleaning or servicing operations, always switch off the fan's power supply.
- 2 Never use petrol, benzene, thinner or any other chemicals for cleaning.
- 3 Use a moist cloth (not wet) to remove dirt from the plastic surfaces.
- 4 Do not allow water to come into contact with electrical parts such as the motor or switches.



## EXHAUST FAN

EFFICIO +



## OPERATION MANUAL

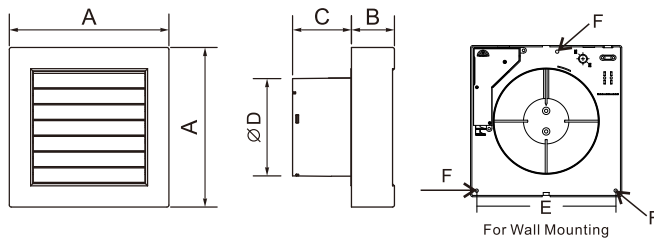
Please read this manual carefully  
before operating this fan

## SPECIFICATIONS

Model	Size (in/mm)	Volt (V)	Freq (Hz)	Input Power (W)	RPM (r/min)
Efficio+	6/150	220-240	50/60	5	1400

Table 1

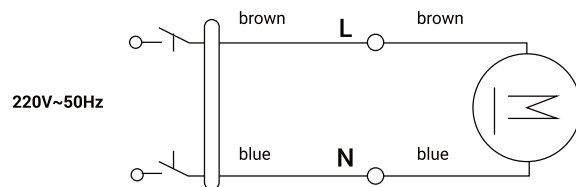
## DIMENSION (mm)



Model	A	B	C	D	E	F	Installation Space $\varnothing a$ mm
Efficio+	210	45	66	147	189	$\varnothing 4.5$	164

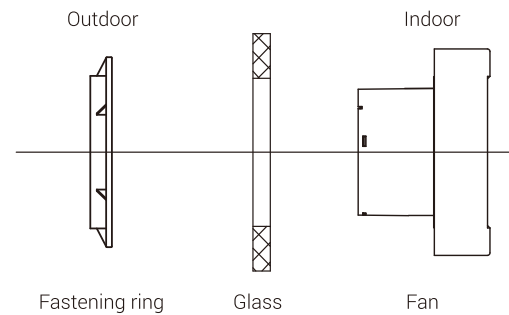
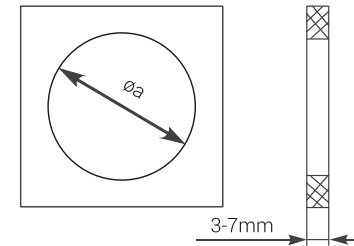
Table 2

## WIRING DIAGRAM



## INSTALLATION

**Step 1:** Make a hole in the glass according to dimension "øa" in Table 2.



**Step 2:** Remove the fastening ring from fan.

**Step 3:** Centralize the fan body into the hole from indoor.

**Step 4:** Put the fastening ring on the fan body from outdoor.

**Step 5:** Fasten the fastening ring.