



# INSTRUCTION MANUAL

**FAN HEATER**

**Model No.: FH 1212 PTC**





Dear Customer,

Congratulations!

You are now the proud owner of Usha Fan Heater (Model No.: FH 1212 PTC)

Innovatively designed, using only the highest quality material and components, your Usha Fan Heater (Model No.: FH 1212 PTC) is designed for years of trouble free performance.

Please read this Instruction Manual carefully before using and keep it cautiously after reading for future reference.

Best Wishes

## IMPORTANT PRECAUTIONS

To use the appliance, always follow the instructions for assembly, use and maintenance as well as usage cautions:

1. Carefully read and retain these instructions.
2. Before connecting the appliance, be sure that the mains voltage available matches that specified on the rating plate.
3. Do not use the appliance for other than its intended use. For domestic indoor use only.
4. Place the appliance on a flat, stable, heat-resistant surface. Operating the product in any other position could cause a hazard.
5. There may be trace of odour during the first few minutes of initial use. This is normal and will quickly disappear.
6. The heater is hot when in use. To avoid burns, do not let bare skin touch any hot surface. Use the carrying handle when moving the product.
7. Keep combustible material such as furniture, cushions, bedding, paper, clothes, curtains etc. at least 1m away from the heater.
8. Do not use the heater in areas where flammable liquids are stored or where flammable fumes may be present.
9. Do not cover or obstruct any of the heat outlet grilles or the air intake openings of the heater.
10. Do not use the heater in the rooms with explosive gas or while using inflammable solvents, varnish or glue.
11. Keep the heater clean. Do not allow any objects to enter any ventilation or exhaust opening as this may cause electric shock, or fire or damage to the heater.
12. Always unplug or disconnect the appliance from the mains power supply when not in use or when moving or cleaning it. Do not pull the cord to unplug the heater.
13. Do not immerse the cord, plug or any part of the appliance in water or any other liquid.
14. Do not attempt to repair, disassemble or modify the appliance. There are no user-serviceable parts inside.



15. The heater must not be located immediately below a socket-outlet.
16. Do not use this heater in the immediate surroundings of a bath, a shower or a swimming pool.
17. Warning : in order to avoid overheating, do not cover the heater.
18. Warning! - Do not cover this appliance with items such as clothing, blankets or place next to curtains or net/blinds.
19. If the supply cord is damaged, please contact your nearest authorized Usha service centre.
20. This appliance is not intended for use by persons (including children) with reduced physical, sensory or mental capabilities, or lack of experience and knowledge, unless they have been given supervision or instruction concerning use of the appliance by a person responsible for their safety.
21. Children should be supervised to ensure that they do not play with the appliance.
22. **CAUTION** – if using an extension lead please ensure you do not exceed the maximum rated operating wattage/load of the extension lead.

For domestic use only.

Never allow children or persons unable to operate the appliance safely, use this appliance without supervision.

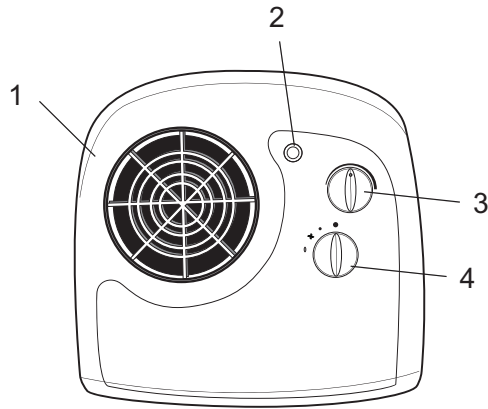
Please dispose of plastic bags carefully and keep them away from children.

This appliance is designed for use as a supplementary heat source, it is not intended to be the main source of heat.

**IMPORTANT:** When in use never cover the heater in any way or place it close to combustible materials. The heater will get hot, never touch it whilst in use. Always keep children and pets at a safe distance and never leave unsupervised in a room with a heater that is working.

**PART LIST**

1. Main body
2. Indicator light
3. Thermostat
4. Selection switch



**Warning !** This product comes fully assembled, before using please ensure that all components and fixings are secure, and make sure the appliance is in perfect condition before operation.

**CONTROLS**

This appliance can be operated by the manual controls located on the side of the heater:

1. " 0 " - OFF position
2. " ⚙ " - Fan only
3. " • " - Low heating 900W
4. " ● " - Maximum heating 1500W

**Thermostat control:** Turn the thermostat switch clockwise or anticlockwise to set the desired temperature you require. The thermostat will attempt to keep the room temperature at the desired level automatically.

Turn the thermostat clockwise to the maximum position. Once the desired room temperature is reached, turn the thermostat anticlockwise until the heater switches off. The heater will switch on and off automatically to maintain the desired temperature.



## SAFETY CONTROL (THERMAL CUT-OUT):

**CAUTION** - This product has two overheat protection devices. The first protection device is an overheat switch which can be re-set, once the cause of the overheating has been removed AND the heater has cooled down. The product can then continue to be used normally. The second overheat protection device is a thermal fuse which CANNOT be reset by the user.

In the event that the heater stops working as a result of overheating take the following immediate steps: switch the electricity off at the socket and remove the plug. Remove any objects that are covering the product. **CAUTION:** Do not touch the heater as it will be hot. Set the heater switches to OFF and leave the heater to cool down fully. Once completely cool, reconnect the heater and switch it on. If it fails to work it is likely that the secondary overheat protection device (thermal fuse) has operated – this overheat protection system cannot be reset by the consumer.

Do not open this product. There are no user-serviceable parts inside.

## TECHNICAL SPECIFICATIONS

- Model: FH 1212 PTC
- Voltage: 220-240V AC, 50Hz
- Wattage: Low: 900W/ High: 1500W

## MAINTENANCE AND CLEANING

1. Switch off and unplug from the power supply before cleaning.
2. Using a soft, moist cloth, with or without a mild soap solution, carefully clean the exterior surface of the product.

**CAUTION:** Allow the product to completely cool before handling or cleaning it.

3. Do not allow water or other liquids to run into the interior of the product, as this could create a fire and/or electrical hazard.

4. We also recommend the periodic cleaning of this appliance by lightly running a vacuum cleaner nozzle over the guards to remove any dust or dirt that may have accumulated inside or on the unit.

**CAUTION:** Do not use harsh detergents, chemical cleaners or solvents as they may damage the surface finish of the plastic components.

## **STORAGE**

The product can be stored in the off-season, we recommend using the original (or appropriately sized) box. It is important to keep it in a safe, dry location.





NOTES

**NOTES**

**WARRANTY CARD**

This Fan Heater is warranted for one year against all manufacturing defects from the date of sale. In the event of any complaint, please contact your nearest Company Service Centre or call at our Toll Free no: 1800-1033-111.

**This Warranty is valid only when...**

1. The Fan Heater has not been opened or tempered with, by any unauthorized person.
2. The warranty card or cash memo duly signed by the authorized dealer are presented with the complaint.
3. The Fan Heater has been installed, used and maintained in accordance with the instructional manual.

**This Warranty does not apply for...**

1. Damages due to chipping, peeling, plating and denting.
2. Breakage or damage to components made out of Bakelite, Urea, ABS, SAN and such plastic, materials, rubber parts and cord.
3. Normal wear and tear of parts.
4. Damage resulting from accidents, mishandling or negligence on part of the customer.

Liability for consequential loss or damage is neither accepted nor implied.

S.NO: \_\_\_\_\_

CASH MEMO \_\_\_\_\_ DATE: \_\_\_\_\_

DEALER'S NAME AND ADDRESS: \_\_\_\_\_  
 \_\_\_\_\_

OWNER'S NAME & ADDRESS: \_\_\_\_\_  
 \_\_\_\_\_

Email: [usha\\_care@ushainternational.com](mailto:usha_care@ushainternational.com)

Website: [www.ushainternational.com](http://www.ushainternational.com)

 <http://www.facebook.com/ushainternational>

**USHA care**

Toll free

1800-1033-111

## USHA INTERNATIONAL LTD.

Plot No.15, Institutional Area, Sector 32, Gurgaon - 122 001 (Haryana) Tel : +91-124-4583100, Fax : +91-124-4583200

E-mail : [corporate@ushainternational.com](mailto:corporate@ushainternational.com) Website : [www.ushainternational.com](http://www.ushainternational.com)

Regd. Office : Surya Kiran Building, 19 Kasturba Gandhi Marg, New Delhi (India) Tel : +91 11 23318114 Fax : +91 11 23318118

ISO 9001: 2008  
Certified Company



Fans • Sewing Machines • Home Appliances • Engines & Pumpsets • Electrical Motors & Pumps • Water Coolers & Dispensers  
• Inverters • Cook Tops, Hobs & Hoods • Auto Components

**USHA**

® Registered Trademark and Copyright of USHA INTERNATIONAL LTD.



® Registered Trademark of USHA INTERNATIONAL LTD.