

USE & OPERATION

FILLING WATER

Water can be filled into the air cooler through manual water filling through mug:

WATER LEVEL INDICATOR

Water Level indicator provided for reference only and placed to see sufficient water level.

CLEANING & MAINTENANCE

IMPORTANT

- The cooler is supplied with Honeycomb Cooling Media.
- The cleaning frequency for the Honeycomb media depends on local air and water conditions. In areas where the mineral content of water is high, mineral deposits may build up on the Honeycomb Cooling Media and restrict air flow. Draining the water reservoir and refilling with fresh water at least once a week will help reduce mineral deposits. If mineral deposits remain on the Honeycomb media, the media should be removed and washed under fresh water. The media should be cleaned every two months or sooner, depending on your needs.
- Do not run the unit in PUMP mode with stale water in the tank. Empty the tank and refill it with fresh water if the water has been standing in the tank for an extended period of time.
- For best results, allow the Honeycomb Cooling Media to dry after each use by turning off the cool function 15 minutes before turning the unit off.
- Draining the water reservoir and refilling with fresh water at least once a week will greatly reduce mineral deposits in the pads and help to extend the life of Honeycomb Cooling Media.

WARNING

- Before cleaning the unit, switch it to the "off" position and remove the plug from the power socket.
- To clean the outside, use a damp cloth to remove dirt and dust.
- Never use corrosive elements or any chemicals to clean this product.
- When the product is not in use, store the unit in a dry place out of direct sunlight.

CLEANING & MAINTENANCE

DRAINING AND CLEANING THE WATER TANK

- Turn the power "off" and disconnect the air cooler from the power supply.
- Move the unit to a location where it can be drained. Remove the cap from the water drain plug and allow the tank to empty (see parts description on page 6).
- After you have drained the water tank, please connect the water drain plug to its original position.
- Now refill the water tank up to Max level, wait for 5 min. and then drain the entire water once again. Use clean water for this procedure, so that maximum dust particles and remains are completely removed.
- If your cooler has not been used for a long duration, we advise you to clean the water tank at least 2 times before it is used again.

CLEANING THE HONEYCOMB MEDIA

- Turn off the unit, and unplug the power cord from wall outlet. Rotate the unit facing the back panel, and locate the Rear Grill.
- Removal Screws (refer page 6). Remove the screws with a screw driver.
- Pull the rear grill panel upwards, until it is completely removed. Now, the honeycomb media can be seen. Clean the honeycomb media with fresh water.
- Once the cleaning has been completed, assemble the unit as described above.
- Plug into the power supply and turn unit on.

TROUBLESHOOTING GUIDE

No discharge of air	Cord is not plugged in	Make sure power cord is plugged in and the supply switch is on.
	Power is not on	Turn the unit ON by changing the mechanical knob position of the control panel
	Motor Faulty	Contact Service centre
Not Cooling / Unit is making noise	Pump is not turned ON	On control Panel. Turn COOL FUNCTION TO "ON"
	Low or no water in tank, when COOL is selected	Refill water tank.
	Damaged Pump	Contact service centre.
Odor omission	When the Cooler is new	When the unit is used for the first time, the Honeycomb Cooling Media will have an odor, which will dissipate within a week of initial use. This is normal.
	If the Cooler has been used. There may be an algae issue.	Water is stale Clean the tank and fill with fresh water. Clean the Honeycomb Media. If problem persists contact the service centre.

TECHNICAL SPECIFICATIONS

COOLBOY MINI		
Model No.	12CBP1	18CBP1
Voltage	230 V AC	230 V AC
Frequency	50 Hz	50 Hz
Power	80 W	80 W
Water Tank Capacity	12 L	18 L
Cooling Media	1 side Honeycomb	1 side Honeycomb
Castor Wheels	NO	Yes
Product Dimension (MM)	270 (L) x 290 (W) x 595 (H)	320 (L) x 335 (W) x 750 (H)
Net Weight	5.40 kg	5.60 kg

SERVICE AND WARRANTY

The appliance is warranted for 1 year against all manufacturing defects from the date of sale. In the event of any complaint, please contact Usha Care at Toll Free No. 1800 1033 111 or email at usha_care@usha.com

The warranty is valid only when:

- The appliance has been installed, used and maintained in accordance with the instruction manual.
- The warranty card and cash memo duly signed by the authorised dealer are presented with the complaint.
- The appliance has not been opened or tampered with, by any unauthorised person.

This warranty does not apply for:

- Damages due to chipping, peeling, plating and denting.
- Breakage or damage to components made out of Bakelite, Urea, ABS, SAN and such plastic materials, rubber parts and cord.
- Normal wear and tear of parts.
- Damage resulting from accidents, mishandling or negligence on part of the customer.

Liability for consequential loss or damages:

- The Company will not be liable for any loss or damage arising/resulting from indirect or consequential loss or damages.
- The Company aggregate liability in respect of all claims under the Warranty shall not exceed the original purchase price of the Product or, at Company's option, replacement of the Product with a like or similar Product.
- The Company excludes all other warranties, conditions, terms, representations and undertakings whether express or implied.

Jurisdiction:

- The courts at Delhi shall have exclusive jurisdiction to resolve any disputes between the parties arising under Terms and Conditions of Warranty.

U S H A

S.NO: _____

CASH MEMO _____

DATE: _____

DEALER'S NAME AND ADDRESS: _____

OWNER'S NAME & ADDRESS: _____

WARRANTY CARD INSTRUCTION MANUAL

COOLBOY MINI MODEL - 18CBP1 / 12CBP1 PERSONAL COOLER

Power rating: 80 Watts • Related voltage: 230 V AC
Rated frequency: 50 Hertz

Portable Evaporative Air Cooler

OWNER'S MANUAL

Read and save these instructions before use.

QUICK START GUIDE

Read all instructions carefully before setting up and operating the cooler, and please keep this instruction manual for future reference. This manual is designed to provide you with important information needed to setup, operate, maintain, and troubleshoot your cooler. Failure to follow these instructions may damage and/or impair its operation and void the warranty.

• **Fill the tank with water and plug the cooler in standard power outlet socket.**

Note: Please make sure the household power voltage matches the product specifications.

• **Place near an open door or window.**

Note: Evaporative air cooler requires cross ventilation.

• **Keep distance of minimum 0.5M from the wall.**

• **Cooler works best when placed near an open window.**

• **Turn ON and enjoy the cool breeze.**

Note: Start with low speed and gradually increase to higher speed for optimum cooling performance.

• **Keep the room ventilated for max effectivity / efficiency.**

Note: When the product is used for the first time the Honeycomb cooling media will have an odor which will dissipate in a week or so of initial use



THANK YOU

Congratulations on your purchase of this versatile USHA Evaporative Air Cooler. For optimum cooling from your cooler, fill the water tank to maximum level before you turn on your air cooler.

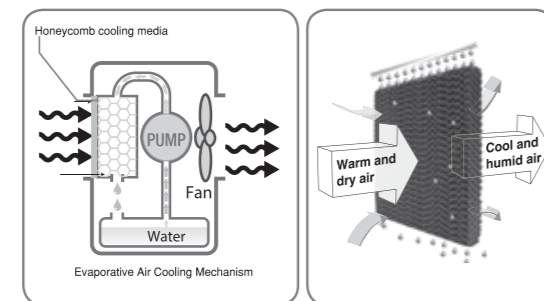
Not an Air Conditioner (Important - Please read!)

The evaporative air cooler is not an air conditioner as it does not use a compressor or refrigerant gas. It should not be expected to cool as efficiently as a refrigerated air conditioner

USER TIPS

Energy efficient, No compressor

USHA Evaporative Air Coolers are built to maximize energy efficiency and keep costs low. This no-compressor system cools naturally, efficiently and inexpensively. The recommended relative humidity is 60% or less which allow noticeable temperature decrease in the air.

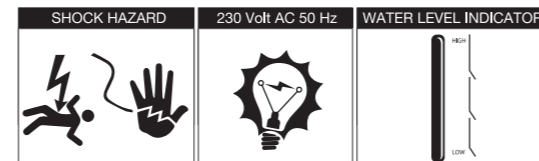


SAFETY

READ AND SAVE THESE INSTRUCTIONS:

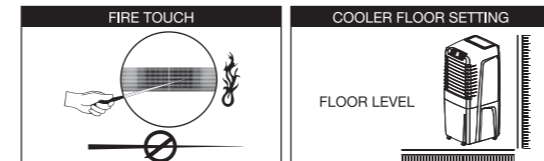
When using electrical appliances, basic safety precautions should always be followed:

- Your cooler runs on 230 Volt AC, 50 Hz. Check the household voltage to ensure it matches the appliance's rated specification.
- Before operating the product remove it from its packaging and check that it is in good condition.
- DO NOT operate any product with a damaged cord or plug. We recommend not using an extension cord with this appliance.
- DO NOT run power cord under carpeting, or cover it with rugs or runners. Keep the cord away from areas where it may be tripped over.
- Always unplug the product before refilling the water tank.
- Always unplug the appliance from the power source before cleaning, servicing or relocating the unit.
- Remove the power cord from the electrical receptacle by grasping and pulling on the power cord plug-end only, never pull the cord.
- DO NOT use the product in areas where gasoline, paint or other flammable goods and objects are stored.
- When using the "COOL" setting, check the water tank to ensure that it is full. Operation of this cooler on the "COOL" setting with an empty tank may result in damage to the water pump.
- DO NOT attempt to repair or adjust any electrical or mechanical functions of the cooler, as this may void the warranty.

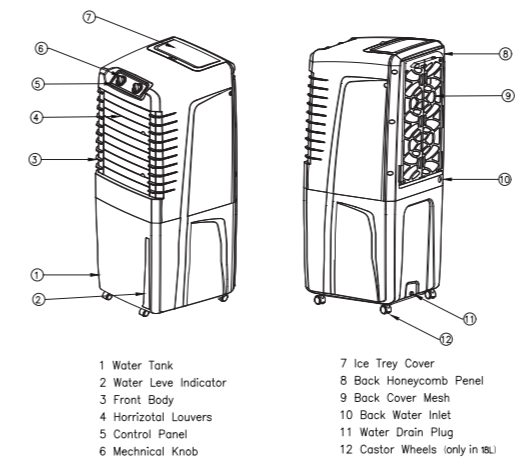


SAFETY

- DO NOT cover the air inlet or outlet on the appliance as this may cause motor damage.
- DO NOT insert or allow objects to enter any ventilation or exhaust opening as this may damage the product and could cause an electrical shock or fire.
- DO NOT operate with the Honeycomb media removed as this will overload and damage the motor.
- DO NOT leave the operating appliance unattended for an extended period of time.
- DO NOT let children play with this appliance, packaging or plastic bags.
- If the unit is damaged or it malfunctions, do not continue to operate it. Refer to the troubleshooting section and seek professional advice.
- Place the unit on a level floor. This product is not intended for use in wet or damp locations.
- DO NOT use in bathrooms. Never locate the product where it may fall into a water container.
- Store in a dry area when not in use. This appliance is not intended for use by persons (including children or elderly) with reduced physical, sensory or mental capabilities, or lack of experience and knowledge, unless they have been given supervision or instruction concerning use of the appliance by a person responsible for their safety.
- Always grip from sides to move the cooler.



PARTS DESCRIPTION

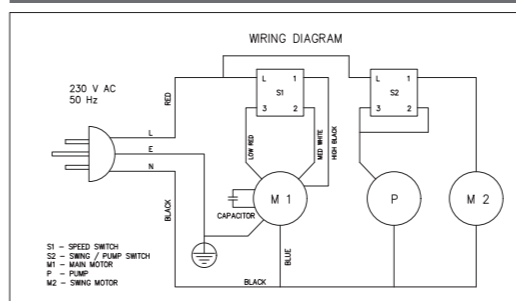


- 1 Water Tank
- 2 Water Level Indicator
- 3 Front Body
- 4 Horizontal Louvers
- 5 Control Panel
- 6 Mechanical Knob

- 7 Ice Tray Cover
- 8 Back Honeycomb Panel
- 9 Back Cover Mesh
- 10 Back Water Inlet
- 11 Water Drain Plug
- 12 Castor Wheels (only in 18L)

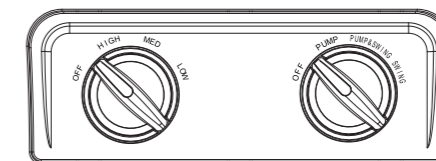
*Reference Image. Actual product may differ

ELECTRICAL WIRING DIAGRAM



USE & OPERATION

CONTROL PANEL



CONTROL KNOBS

SPEED / On-OFF: Connect the power supply and turn the SPEED knob. The fan will start. Change the speed from "High" for high speed, to "Medium" for medium speed and to "Low" for low speed. To switch the unit OFF, turn the SPEED knob to "OFF".

FUNCTION: Moving the knob to "PUMP" position will start the cooling. It will take a few minutes to obtain the full effect of this mode. Moving the knob to "PUMP/SWING" position will begin vertical louvers movement and also keep cooling on. Moving the knob to "SWING" position will keep movement of vertical louvers on while cooling/pump will get stopped.

CAUTION: Unplug from power when refilling.

FILLING WATER (MANUAL):

Do not fill water above the max water level mark.

USHA care

Toll free

1800-1033-1111

USHA INTERNATIONAL LTD.

Plot No.15, Institutional Area, Sector 32, Gurugram - 122 001 (Haryana) India

Tel: +91-124-4583100, Fax: +91-124-4583200

E-mail: usha_care@usha.com • Website: www.usha.com

Regd. Office: Surya Kiran Building, 19 K.G. Marg,

New Delhi (India) • Tel: +91-11-23318114 • Fax: +91-11-23318118

ISO 9001: 2015
Certified Company