

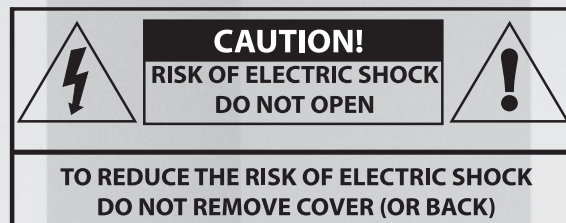
USER MANUAL



Thank you for choosing the boAt AAVANTE Bar 1160 as the audio source for your home. Discover a new level of immersive, cinematic audio with the boAt AAVANTE Bar 1160. A powerful 60 W total output that amplifies every aspect of your entertainment. The 2.0 channel sound system provides clear, crisp audio for your movies, music and even video games and you can experience cinematic sound that revolves around you. Stay plugged into the sound of your home with the boAt AAVANTE Bar 1160. We request that this installation guide be read carefully.



IMPORTANT SAFETY INSTRUCTIONS



TO REDUCE THE RISK OF ELECTRICAL SHOCK, DO NOT REMOVE THE AMPLIFIER PLATE. NO USER SERVICEABLE PARTS ARE INSIDE. WE RECOMMEND YOU CONTACT A QUALIFIED SERVICE TECHNICIAN FOR ANY REPAIRS.

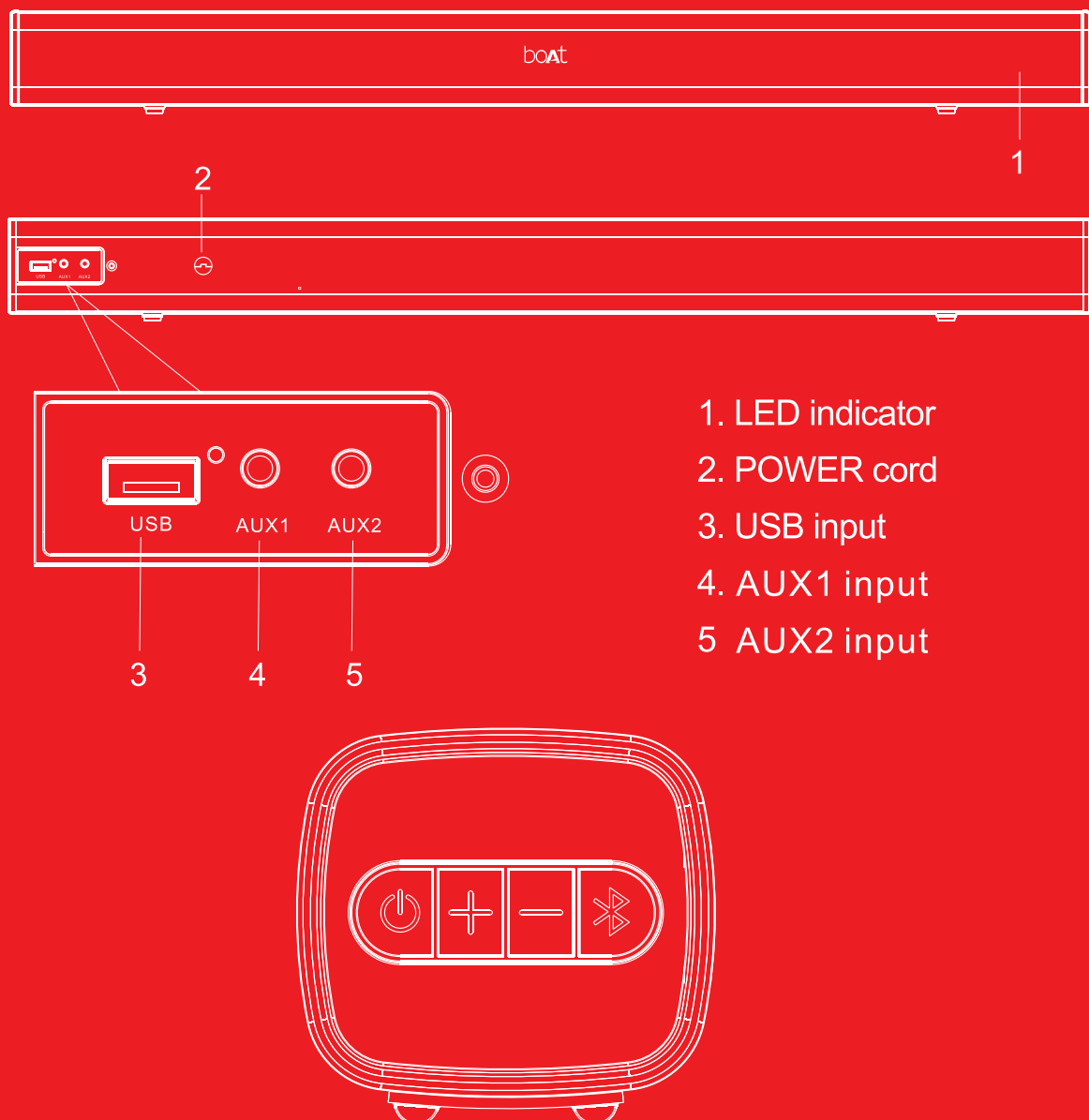
Includes:

- 1 x boAt AAVANTE BAR 1160
- 1 x Remote Control
- 2 X AAA Batteries
- 1 x User manual
- 1 x Line In Cable
- Accessories

Safety Instructions

- This sound bar was especially developed for LED/LCD/Plasma televisions. It should not be used with CRT (Cathode Ray Tube) televisions.
 - Do not place this unit close to a strong magnetic field or the unit on an amplifier or receiver.
 - Do not place the boAt AAVANTE Bar 1160 on any unstable surfaces. The speaker may topple over, causing serious damage either to persons or property.
 - Do not take the SoundBar near water, such as bathtubs etc... and any areas that contain a high amount of moisture.
- Never use the device unsupervised! Switch off the device whenever you are not using it, even if only for a short while
- Please ensure that there is 20cm of space free above the Soundbar and 5 cm on either side.
 - Likewise, please keep the SoundBar away from heat sources such as radiators, heat registers, stoves or other devices that produce heat.
 - Ensure that the SoundBar is being inserted into a power supply outlet of the same voltage. There is also a risk of someone tripping over or being shocked if the device is plugged in. Please make sure that the plug points are strategically placed as to avoid these circumstances.
 - Clean the SoundBar with only a soft damp cloth and make sure to unplug the unit from the wall socket before starting.
 - If any servicing of the unit is required, please do not disassemble the SoundBar yourself. All maintenance must be done ONLY by a service professional. Any repair work done on your own will automatically make the warranty null and void.
 - Do not replace any of the parts on your own, and do NOT use parts that are not factory authorized. It can result in fires, electrical shock or other serious injuries.

Product Diagram



Dashboard Controls

1. Multifunction Button: The multifunction button can be used to switch modes once the Soundbar has been switched on (Bluetooth, Aux1, A
 2. Volume Up: Increase volume level
 3. Volume Down: Decrease volume level
 4. Bluetooth Pairing: Press and hold the Bluetooth for 2 seconds to disconnect the currently paired device from the speaker. Use the paired de
- settings. This button only works for Play/pause: only under BT/USB MODE

LED Indicators :

| LED Indicator | Status |
|-----------------------|------------------------------|
| Blue flashing rapidly | BT pairing mode |
| Blue on | BT connected |
| Purple on | USB input mode |
| Green on | AUX1(3.5mm audio) input mode |
| Cyan on | AUX2(3.5mm audio) input mode |
| Flashing steadily | Outputting sound(any mode) |
| Red on | Standby |

Remote Control – Control/Functions :



A portrait of actor Kartik Aryan. He is wearing a black t-shirt with the 'boat' logo printed on it. The logo consists of the word 'boat' in a lowercase, sans-serif font, where the letter 'A' is red and the other letters are white. He has dark, styled hair and a beard, and is looking directly at the camera with a serious expression. His right arm is raised and resting on his shoulder. The background is a mix of red and black, with a textured, fabric-like appearance. The lighting is dramatic, highlighting his features and the texture of his shirt.

boat

Kartik Aryan

Kartik Aryan



boat
plug into nirvana

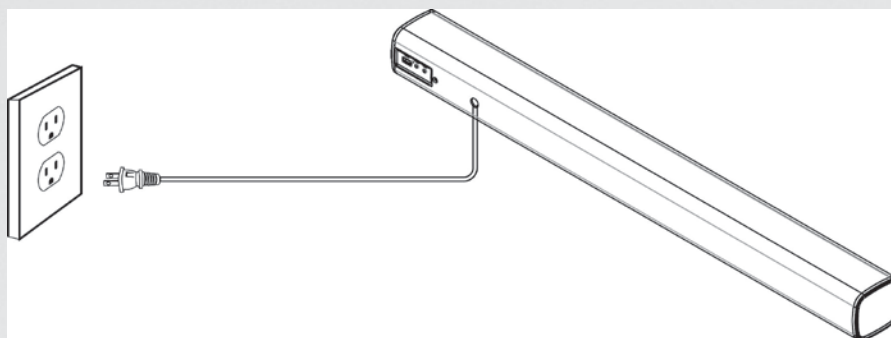
Hardik Pandya

Hardik Pandya

- 1 STANDBY: Standby mode for power on/off.
2. PAIR: Connect or disconnect to the pairing device. (Press the button for more than 2 seconds)
3. LUM: Brightness control (This button can not work under standby status)
4. Loop playback: (Only works under USB mode.)
5. VOL+: To increase volume
6. Pre button: Previous song. (Only work under BT mode.)
7. VOL-: To decrease volume.
8. -10: Go back ten songs. (Only work under USB mode)
9. TREBLE-: To decrease treble
10. BASS-: To decrease bass
11. MUSIC: Select the MUSIC EQ effect.
12. NEWS: Select the MUSIC EQ effect.
13. MUTE
14. INPUT: AUX/USB/BT Selection
15. RESET: Reset all sound bar volume levels and switch EQ back to Music setting. Press and hold button for 2 seconds
16. Stop button: Press to stop. (Only work under USB mode.)
17. Next button: Next song. (Only work under USB and BT mode.)
18. +10: Go forward ten songs. (Only work under USB mode.)
19. TREBLE+: To increase treble
20. BASS+: To increase bass
21. MOVIE: Select the MOVIE EQ effect.
22. 3D: Select the 3D EQ effect.
23. Play/Pause: (Only works under USB and Bluetooth mode.)

To Power on/off:

- Power on: Plug the sound bar into a wall outlet, it will automatically enter standby mode and the LED indicator light will become a solid
- Short-press the multi-function button to turn the sound bar on.
- Power off: To turn off, press and hold the multi-function button for 2 seconds or unplug from the wall outlet.



Pairing Modes

Bluetooth

1. Power-on the boAt AAVANTE Bar 1160. This can be done by pressing the Standby button on the Soundbar or through the remote control.
2. Switch the mode to Bluetooth mode (you can also use **Mode**, the LED light will rapidly flash blue to indicate this).
3. Turn on Bluetooth on your phone and search for available devices within range, select **AAVANTE Bar 1160**.
4. If a password is asked for, enter "0000."
5. Playing/pausing tracks, controlling volume and the choosing of tracks can all be done from your connected device; there is no need to use the remote control. The remote control can also be used at this time.

Note: If the connected device is turned off, the Soundbar will automatically re-enter pairing mode, if the device comes back within the 10 minutes, the pairing will be automatic. The Soundbar has to be tuned off when in pairing mode; the device will not switch off automatically.

AUX

1. Use a 3.5mm AUX jack to connect any device you intend to use with the boAt AAVANTE Bar 1160.
2. Using either the buttons on the SoundBar or the "Input" button on the remote. Switch to AUX mode.
3. In Aux mode 1, the LED light will be cyan. In Aux Mode 2, the LED light will be green.
4. Playback functions (play/pause, volume, tracks) cannot be adjusted through the SoundBar remote when in Aux mode. It can only be done through the connected device.

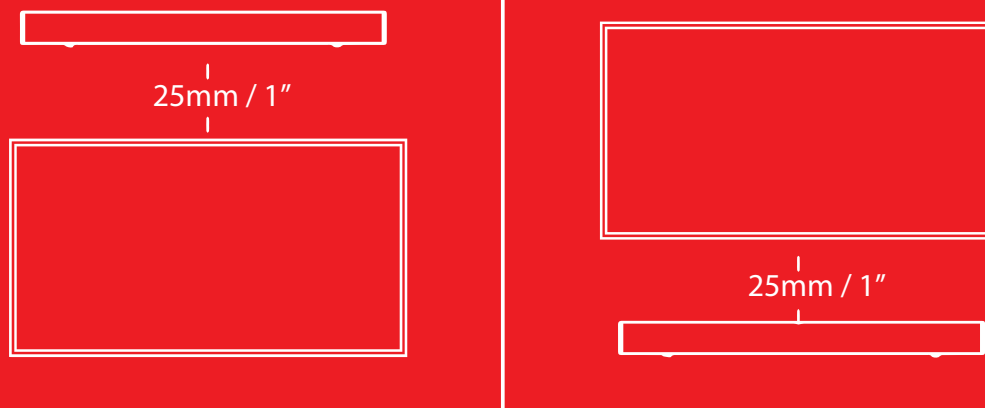
USB Port

1. Ensure that your USB flash drive contains MP3 or WMA audio files (other file types are not supported).
2. Connect the USB flash drive to the USB port on the sound bar (or your own USB extension cable connected to the USB port); music will be played through the soundbar.
3. The LED indicator light will become a solid purple when USB mode is active.

Note: The sound bar automatically switches to USB input mode when a USB flash drive is inserted (this mode is not selectable on the soundbar unless a USB flash drive is connected). The remote control includes USB input mode playback controls

To Mount the Soundbar

If you don't feel confident to correctly and securely wall-mount the sound bar, seek the assistance of an experienced person or professional.



1. Make 2 holes on the wall with a distance that is the same as the wall brackets on the Soundbar
2. Put the plastic anchors onto the wall and secure the screws to the plastic clip, do not tighten the screws all the way and make sure the soundbar is level and the screws.
3. Attach the 2 EVA pads onto the wall mount bracket. This will make sure that there is enough room between the wall and the soundbar.
4. Once the screws have been securely fastened, hang the sound bar over by inserting the screws onto the wall mount bracket

Specifications:

| | |
|--------------------------------------|--------------------------|
| Speaker Type | 2.0 Sound bar |
| IPX | none |
| Driver Size (Inch) | 2.25"*4 |
| Number of Drivers | 4 |
| Maximum Output RMS Per Satellite (W) | 30W*2=60W |
| Total Harmonic Distortion | </=0.5%(1K/1W) |
| Frequency Response | 80Hz-20Khz |
| ohm | 4Ω*2 |
| Sensitivity | 800mV±50mV |
| Signal Noise Ratio | ≥ 72dB |
| Wireless Technology Type | Bluetooth |
| Bluetooth Version | 4.2 |
| Bluetooth Range | 8-10M |
| Rated Power | 30W*2=60W |
| Battery Capacity | AAA 1.5V |
| Battery Type | AAA Batteries for Remote |

Troubleshooting:

| PROBLEM | SOLUTION |
|----------------------------------|---|
| No power | 1. Make sure the boAt AAVANTE Bar 1160 is plugged in and turned on |
| No Sound | 1. Make sure you've selected the proper source 2. Make sure the volume is set properly on the unit and at the correct playback (Bluetooth Android device and AUX inputs) |
| Bluetooth pairing fails | 1. Check to see that both devices are turned on and that your Bluetooth device is in pairing mode 2. Turn both devices off and on again 3. Make sure you've selected the proper output mode 4. Make sure that you are within 5 feet of the unit 5. Move both devices away from other Bluetooth devices, microwaves, wireless routers, and other electronics 6. Make sure that the unit is not paired to a previously paired device |
| No sound when receiving TV Input | 1. Make sure that all connections are secure 2. Make sure the volume is set properly on the unit and at the television |