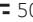


Additional Information

Specifications

Power Requirements	Refer to the main label on the unit.
Power Consumption	Refer to the main label on the unit.
Dimensions (W x H x D)	Approx. 330.0 mm x 785.0 mm x 344.0 mm
Bus Power Supply (USB)	5 V  500 mA

Design and specifications are subject to change without notice.

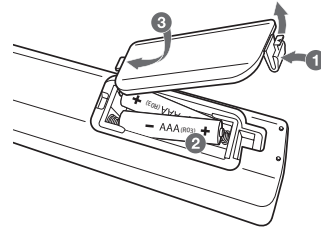
Caution

- Connect the power cord to wall outlet directly if possible. Or when you use an extension cable, it is highly recommended to use an extension cable of 110 V / 15 A or 230 V / 15 A, otherwise the unit may not operate properly because of the lack of power supply.
- Do not overload the extension cord with excessive electrical load.

Note

- Do not look directly at the light emitting part when the LIGHTING is turned on.
- If the illumination brightness is glaring, switch on the room lights or turn off the LIGHTING of the unit.

Replacement of battery



SIMPLE MANUAL

HIGH POWER SPEAKER SYSTEM

Please read this manual carefully before operating your set and retain it for future reference.

To view the instructions of advanced features, visit <http://www.lg.com> and then download Owner's Manual. Some of the content in this manual may differ from your unit.

MODEL

RNC7



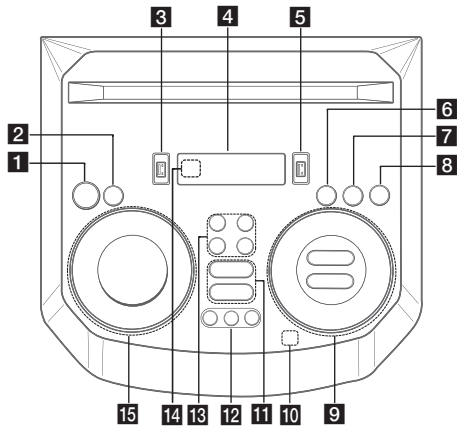
MFL71984106

2301_Rev01

www.lg.com
Copyright © 2023 LG Electronics Inc. All Rights Reserved.



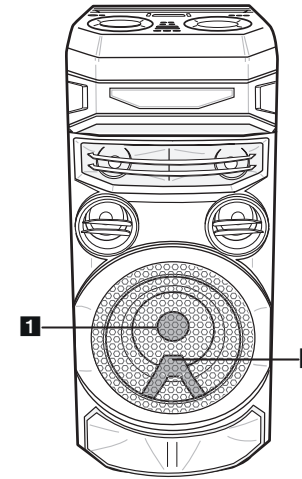
Top panel



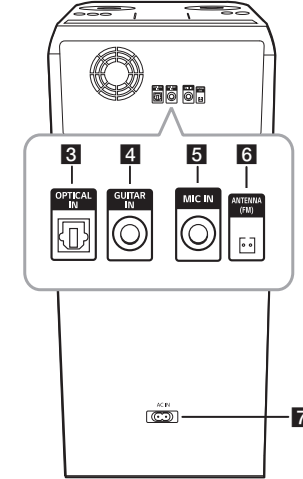
- 1** **⏻ (Standby)**
Turns the power on or off.
- 2** **USB REC / DEMO**
- Records to USB.
- Stops recording.
- In power off status, if you press **USB REC / DEMO**, show demo mode.
- 3** **USB 1 Port**
You can play sound files by connecting the USB device.
- 4** **Display window**
- 5** **USB 2 Port**
You can play sound files by connecting the USB device.
- 6** **F (Function)**
Selects the function and input source.
- 7** **LIGHTING**
Selects the lighting mode.
- 8** **TWIN**
Connects two units for TWIN mode in WIRELESS PARTY LINK.
- 9** **⏮/⏭ (Skip/Search)**
- Skips backward or forward.
- Searches for a section within a file.
- Selects the radio stations.
⏸ (Play/Pause)
- Starts or pauses playback.
- Selects stereo/mono.
- **Bluetooth** connection lock (BT LOCK): Select the **Bluetooth** function by pressing **F** repeatedly. And long press **⏸** to limit **Bluetooth** connection to only BT and LG TV.

- AUTO DJ**
Selects the AUTO DJ mode.
- VOL (Volume) -/+**
Adjusts speaker volume.
- MIC (Microphone) / GUITAR -/+**
Adjusts Microphone volume or Guitar volume.
- 10** **🎵 (Auto Music Play)**
Plays the audio currently playing by tagging the mobile (with "LG XBOOM" App) to this unit. (Android Only)
- 11** **VOICE CANCELLER**
You can reduce the vocal tones during music playback from various input sources.
- EQ**
Chooses sound impressions.
- 12** **CLUB, DRUM, USER (DJ PAD)**
Selects CLUB, DRUM or USER sound effect to mix.
(If you want to use USER, you have to register a source with "LG XBOOM" app. (Android Only))
1, 2, 3 (DJ PAD)
Press a desired sound pad.
- 13** **MIC (Microphone) ECHO**
Selects ECHO mode.
- VOCAL EFFECTS**
Selects various vocal effects mode.
- KEY CHANGER (b/#)**
Changes the key to suit your vocal range.
- 14** **Remote sensor**
- 15** **SPECIAL EQ / BASS BLAST (or BASS BLAST+)**
- Chooses special equalizer.
- Press and hold to select BASS (or BASS+) effect directly.
- SEARCH**
Moves to folder or file in selection mode.
- OK**
Selects a folder when searching a file.
- USER EQ**
Selects the equalizer created by your own.
- Multi jog**
- Searches a folder or a file.
- Turns clockwise or counterclockwise to control the USER EQ level.
- Chooses special equalizer.

Front panel / Rear panel



- 1** **Lighting**
- 2** **Remote sensor**



- 3** **OPTICAL IN:** Connect an optical device.
- 4** **GUITAR IN:** Connect a guitar.
- 5** **MIC (Microphone) IN:** Connect a microphone.
- 6** **ANTENNA (FM)**
- 7** **AC IN socket**



Make sure to properly align and connect the optical cable; improper alignment may cause damage to the jack.

Controller App



Android



iOS

Download the **LG XBOOM** App to your device.

LG Sound Sync



For more information, download the online owner's manual. <http://www.lg.com>