

Lifelong

HOME

MAKING IT POSSIBLE

# Aspire VC10 Wet and Dry Vacuum Cleaner

---



Plastic  
Durable Body



Efficient and  
Powerful Motor



Strong Suction  
Power



Blower  
Function



Easy to  
Move



Large Tank  
Capacity



Long  
Cord

**1 YEAR  
WARRANTY**

Welcome to the Lifelong family

Dear Customer,

Congratulations on purchasing Lifelong Aspire VC10 Wet and Dry Vacuum Cleaner and a warm welcome to the Lifelong family. At Lifelong, we take pride in developing quality products for your home, health and happiness. Through constant innovation in our products, we have been able to develop a wide spectrum of products across Home, Kitchen, Grooming and Wellness categories. We strive to enrich the lives of the modern consumer every day.

Keeping that in mind, we have offered all our products at a fair and honest price.

We hope that the Aspire VC10 Wet and Dry Vacuum Cleaner serves you and your family's needs without any hassles.

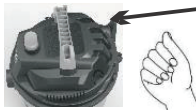
Thanks again for becoming a part of the Lifelong family. Enjoy using the product!

Warm Regards,  
Team Lifelong

## THE DESCRIPTION AND INTRODUCTION

### Usage of the handle:

Pull out the plastic clips and then naturally bend the fingers holding the hand to lift up the machine head.



### Usage of the clips:

Follow the picture, pull out the clips to open and remove the machine head



### Usage of the Switch:

Turn off the machine by pressing button "O" for power off. Press "—" for turning on the power.

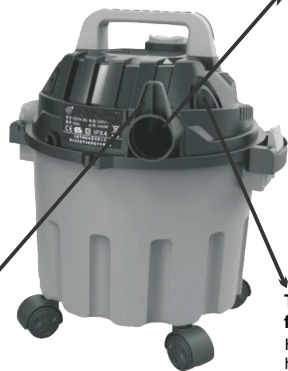


### The connection method for hose:



Insert the hose connector. Insert the pipe into the suction mouth, and then rotate about 90° to make sure it is tightly locked.

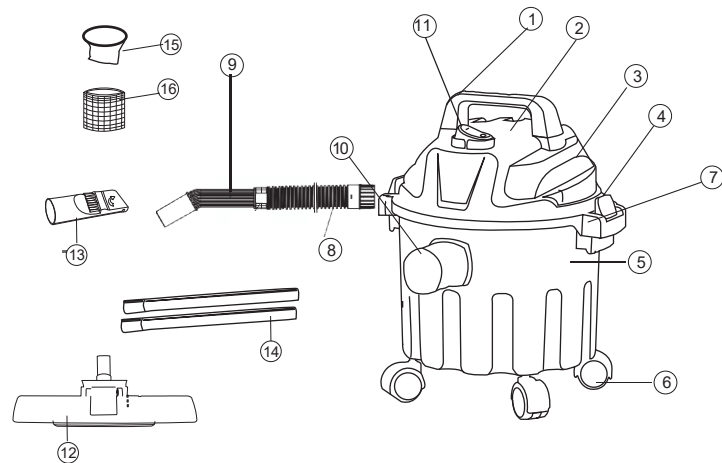
**Hanging wire function:**  
After using, hang the wire here for storage and fix the power cord to the left slot.



**Blowing function:**  
Connect the hose connector with the blowing mouth and tighten, when it starts to work, put the suction nozzle toward the object. Remember to check the hose to make sure the hose wall is clean.

**Tube assembly storage function:**  
Hang the tube assembly here for next use.

## PARTS IDENTIFICATION



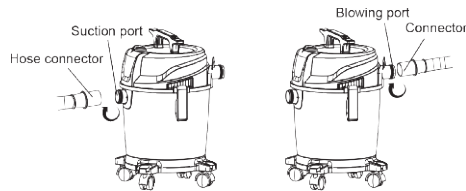
## Part No.

## Part Name

1. Carry handle
2. Motor unit
3. Blowing port
4. Power cord
5. Plastic bucket
6. 360° rotation wheel
7. Side locks
8. Flexible hose pipe
9. Hose handle
10. Suction port
11. ON/OFF switch (O-OFF, “-”ON)
12. Floor cum carpet brush
13. Integrated nozzle
14. Extension tubes (2 piece)
15. Cloth filter (Dry use)
16. Sponge filter (Wet use)

## HOSE PIPE AND THE VACUUM CLEANER LINKING

1. Insert: Insert the tube connector into the cleaner, and then rotate it clockwise until it is locked.
2. Exsert: Hand the tube connector, rotate it counter-clockwise until exsert the tube.
3. When using the blowing function, insert the main suction pipe into the blowing port, then rotate it clockwise until it is locked. When exserting it, rotate it counter-clockwise, exsert the main suction pipe.



## HOSE PIPE CONNECTS WITH OTHER ATTACHMENTS

1. Contact joint: insert one end of the tube into the brush, then rotate it clockwise until it's very tight.
2. Exsert: Hand both ends of the brush, rotate it counter-clockwise until it's out.

## HOW TO USE

### For Dry Vacuum Cleaning

- Use the dust bag when used for dry only, easy to clean.
- Open the clip, take out the machine head, then cover the dust bag on the bottom basket
- After the machine head is put into the plastic bucket, the machine can start to work after locked two sides of the locks.
- When finish the cleaning or too much garbage is sucked into the bucket, the suction force drops obviously. Please cut off the power and clean up the garbage in the barrel timely.

I. Open the clip, take out the machine head.



II. Clean up the garbage in the barrel, then put back the machine head and lock it.



### For Wet Vacuum Cleaning

- Use the sponge filter when used for vacuum water.
- Open the clip, take out the machine head, take off the dust bag and put sponge filter on the motor head as shown in the diagram.
- When finish the cleaning or the tank is full of water (that time safety valve works) please power off and pull out the water in the bucket.

I. Open the clip, take out the machine head.



II. Pull out water, then put machine head back and lock it.



III. Please dry the sponge filter before reusing the same

**NOTE: Never use wet or damp cloth filter for dry vacuum process. In that case always dries the cloth filter in sun light and use it in accordance.**

### INSTRUCTION AFTER USE

1. Turn off the machine by pressing "o" for turning it off.



2. Pull out the plug and put the wire in the socket.



3. Take off the hose and floor brush, to clean the rest of the dust.



6. Take off the filter, wash and dry it for next use.



5. Clean the tank and dry it with a soft cloth.



4. Take off the head as shown in the picture.

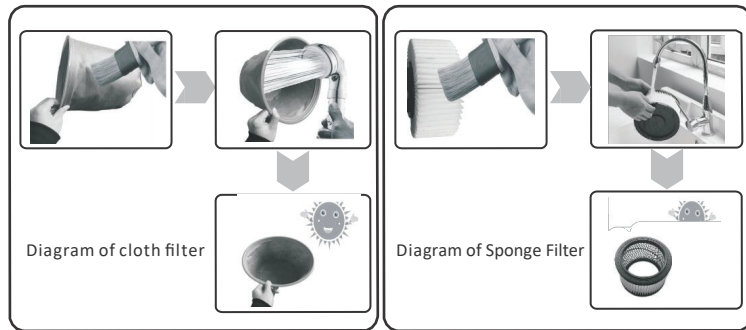


## PROTECTIVE DEVICE

Special instruction of the protective device

- When tank is full of water, the device will raise up, suction power will stop and abnormal noise indicates that the motor is running at a high speed. If this happens, you should cut off the power, and pour away the water. Turn on the power once dry, and it will begin to work normally again.
- When vacuum cleaner overturns or shakes, you should cut off the power and make it upright, then turn on the machine again.
- When tank is full of water, the device will rise up, suction power will cut off, please stop the machine immediately.

## CLEANING & MAINTENANCE



Before cleaning , please turn off the power and pull off the plug.

Methods of cleaning:

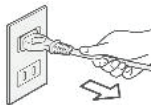
- Use brush to clean the dust on the filter
- Use tap or shower wash the filter from inside to outside for better clean.
- Put the filter in a well-ventilated place to air-dry it.
- Store it properly for your next use.

Note: After your washing

- Be sure of intensive drying (To avoid bad smell or block)
- Do not use air blower or another kind of hot-blast air drying it (To avoid causing failures due to out of shape).
- Do not use detergent/bleach/thinner/alcohol etc (to avoid causing cracks and fading color).

## ATTENTION TO AVOID FIRE

- Do not move it when the clips are unlocked. (To avoid damages when moving it).
- Use wire and plug in a correct way. Please pull out the plug when not in use.  
(To avoid bad insulation causing electric shock/the leakage of electricity or fires).



### Avoid incorrect operation

- Do not put metal into the connector of this machine (To avoid electric shock).
- Do not pull the plug by the wire.
- Do not pull or move the machine by pulling the hose.
- Please use the handle to move or pull it (To avoid damages caused by falling) .

## OPERATION REQUIREMENTS

- Please do not collect the following things in case of breakdown or bad smell:

**Dehumidizer.**

**Massive powder(construction waste/powder of fire extinguisher).**

**Pet excreta etc.**

**Glass/tins/needles/toothpicks.**

**Something easy to block the Hose (ropes/stockings).**

- Please use the hose carefully (to avoid damage).

-To avoid the motor overheating Please do not use it continuously for more than half an hour, otherwise this may reduce its working life time.

**When the tank is full of dust.**

**When the suction mouth is blocked.**

**When the hose, tube, nozzle is blocked.**

- Please do not use the hose or the tube to collect dust directly to avoid wear.
- Please use the floor brush or crevice nozzle etc.
- Please do not block the air-outlet (To avoid making it going out of shape caused by overheating)
- Please do not continuously use it, when the suction mouth is blocked.
- Please check whether the cloth or HEPA filter was installed before using (To avoid waste getting into the motor directly, causing the burning smell).

## TROUBLESHOOTING

Problem	Analysis reasons	Solutions
Not working	<ol style="list-style-type: none"> <li>1. Check whether the plug has been inserted tightly</li> <li>2. Check the socket is power on or off</li> </ol>	<ol style="list-style-type: none"> <li>1. Re-insert the plug into the socket tightly</li> <li>2. Ensure the socket is power on</li> </ol>
Suction reducing	<ol style="list-style-type: none"> <li>1, Check whether the hose, tube was blocked</li> <li>2, Check whether the filter was blocked</li> <li>3, Check whether the machine was fastened tightly</li> <li>4, Check whether the air-out filter was blocked</li> <li>5, Check whether the adjust window in the adjust handle(hose) is closed</li> </ol>	<ol style="list-style-type: none"> <li>1. Clean up the obstructions in time</li> <li>2. Clean up or replace the filter</li> </ol>
Big noise or unnormal noise	<ol style="list-style-type: none"> <li>1, Check whether the filters were blocked</li> <li>2, Check whether the hose, tube or accessories were blocked</li> </ol>	<ol style="list-style-type: none"> <li>1, Clean &amp; maintain the filter</li> <li>2, Clean up the obstructions</li> </ol>



## NOTICE

This mark indicates that this product should not be disposed with other household wastes throughout the EU. To prevent possible harm to the environment or human health from uncontrolled waste disposal, recycle it responsibly to promote the sustainable reuse of material. To return your used device, please use the return and collection systems or contact the retailer where you purchase this machine, so the product can be recycled.



Product	Wet & Dry Vacuum Cleaner
Model No.	LLVC10
Power Consumption	1000 W
Safety	Auto Shut Float Valve
Tank Capacity	10 L (for dry use)
	5 L (for wet use only with hose pipe)
	4 L (for wet use with other brush)

## Consumer Warranty Card

Dear Customer,

Thank you for choosing a Lifelong consumer product. All Lifelong Consumer products are designed and manufactured to the highest standards to deliver high quality performance, as well as easy installation and use. At Lifelong, we believe in providing not only service, but adding value to your purchase. The warranty has therefore been designed especially for you with your interest at heart.

### Warranty Service

All Lifelong consumer products are covered against manufacturing defects from their date of purchase.

Name of the product: \_\_\_\_\_

Model: \_\_\_\_\_

Warranty coverage: 1 Year

Please note: Purchase receipt is necessary for warranty verification.

Customer Care: [customercare@lifelongindia.com](mailto:customercare@lifelongindia.com)

### Customer Details

Name: \_\_\_\_\_

Address: \_\_\_\_\_

Home Number: \_\_\_\_\_

Office Number: \_\_\_\_\_

E-mail Address: \_\_\_\_\_

### Product Details

Model No.: \_\_\_\_\_

Serial No.: \_\_\_\_\_

Purchase Date: \_\_\_\_\_

Invoice Number: \_\_\_\_\_

Online Site: \_\_\_\_\_

Please log onto to [www.lifelongindiaonline.com](http://www.lifelongindiaonline.com) and complete the online warranty form with your personal and product details within 14 days.

## Terms and Conditions:

1. This warranty is void if:
  - a. The completely filled warranty card is not presented at the time of servicing the product.
  - b. The product is not operated according to the instructions given under the user manual.
  - c. Damages are caused by lightning, abnormal voltage, water or other liquid intrusion, fire, flood, accident, negligence or improper handling.
  - d. Product has been damaged due to installation, repairs, alterations or modifications by unauthorized service organizations or persons.
  - e. Product label specifying the model number, serial number and production code has been removed and altered.
  - f. Defects or parts requiring replacement due to ordinary wear and tear, corrosion, rust or stains, scratches, dents on the casing or paintwork of the product.
  - g. Claims damaged and/or missing parts (accessories) after 7 days from the original date of goods received.
  - h. Defects or faults in product which have been used for commercial/industrial purposes or which have been rented/leased or have been otherwise subject to non-household/non-domestic use.
2. Repairs or replacements will be carried out by authorized service provider.
3. During the limited warranty period, Lifelong or its authorized service provider will repair without charge the defective unit inclusive of labor and parts and restore the unit to its optimum working condition. All defective parts used for the warranty repair should be surrendered to Lifelong and/or its authorised servicer.
4. All expenses incurred in collecting the unit (s) or part(s) thereof from authorised service provider as will as any other expenses and incidentals will be borne by the consumer.
5. Lifelong obligations are limited to the repair and replacement of the defective product. Except as set forth above, there are no other express or implied warranty and all warranted, conditions or other terms implied by statute or common law (including any warranty of satisfactory quality, merchantability or fitness for a particular purpose) are excluded to the fullest extent permitted by the law.
6. Lifelong total liability for damages relating to or arising out of the purchase or use of the product regardless of the type or cause of such damage of the form of characterization of the claim asserted (e.g. contract or tort) shall not exceed the original purchase price paid for the product.
7. However in no event shall Lifelong and Lifelong authorized distributors be liable for any punitive, special incidental, indirect or consequential losses or damages whatsoever (including without limitation, damages for the loss of revenue, business, profits, goodwill, or contracts, business interruptions, loss of business information or any other pecuniary loss.) Whether or not Lifelong has been advised of the possibility of such damages. These limitations shall apply not with standing the failure of the essential purpose of any limited warranty. This limited warranty does not affect consumer's statutory rights under the law.
8. No carrier, dealer or employee is thereof authorized to make modifications to this warranty and you should not rely on any such representation. Lifelong reserves the right to amend the terms and conditions if necessary.

Manufactured for & Marketed by :

**Lifelong Online Retail Private Limited**

For queries and complaints:

please contact: [customercare@lifelongindia.com](mailto:customercare@lifelongindia.com)

[www.lifelongindiaonline.com](http://www.lifelongindiaonline.com)