

---

# Tropicool

e-Novations & Cooling Systems

---





Tropicool e-Novations & Cooling Systems is proud to be a part of Raut Group, which is having diversified business range. Our all group of companies are well known for innovation and expertise in their domain, every company having reach manufacturing experience more than 20 years. We have created mark in industry by keeping best quality and high priority to customer's satisfaction.

Tropicool chillers and Panel Air Conditioners are CE certified which is developed to achieve high efficiencies at all working conditions. Over the years, we have developed innovative, custom solutions, with a deep understanding of the application requirements across several industries, and the technical expertise to build the highest quality, highest performing HVAC products in the market.

## Index

---

### **Air Conditioning Range**

1)	Wall Mount Panel Air Conditioner	05
2)	Ductable Panel Air Conditioner	09
3)	Water Cooled Panel Air Conditioner	09
4)	Outdoor panel air conditioner	10
5)	Rack AC	11
6)	Dehumidifier	12
7)	Refrigerated Air Dryers	12
8)	Fan Tray	12

### **Chiller Range**

1)	Combi-chiller	15
2)	Oil Chiller	16
3)	Water Chiller With Tank	19
4)	Water Chiller	20
5)	Immersion Chiller	23
6)	Water Cooled Chiller	24
7)	Glycol Chiller	24

### **Industrial Filtration System**

1)	Mist Collectors	28
2)	Dust Collectors	28

# Market Areas

A Solution For All Industrial Cooling Needs



Thanks to the wide range and quality of its products, Tropicool e-Novations & Cooling Systems has long-standing experience with diverse range of leaders in many industrial sectors.

---



**Air Conditioning Range**

## **Application:**

### **Panel AC Applications:**

- CNC Machine Tools, Drive Panels , PLC Panels , Instrument Panels
- CPU/Server Enclosures
- Telecom Equipment
- Medical Electronic Equipment
- Process Control Equipment
- Robotics
- Gas Analyzer Equipment
- Crane/Material Handling Equipment
- Any Panel Housing Sensitive Electronic Components

### **Air dryer Applications**

- Drying Air For Use In Commercial Or Industrial Processes That Demand Dry Air:
- Telecom Industry (Pressurizes Its Underground Cables To Repel Moisture And Avoid Shorts)
- Painting
- Pneumatic Tools
- Textile Manufacturing
- Pneumatic Control Systems

### **RACK AC Applications:**

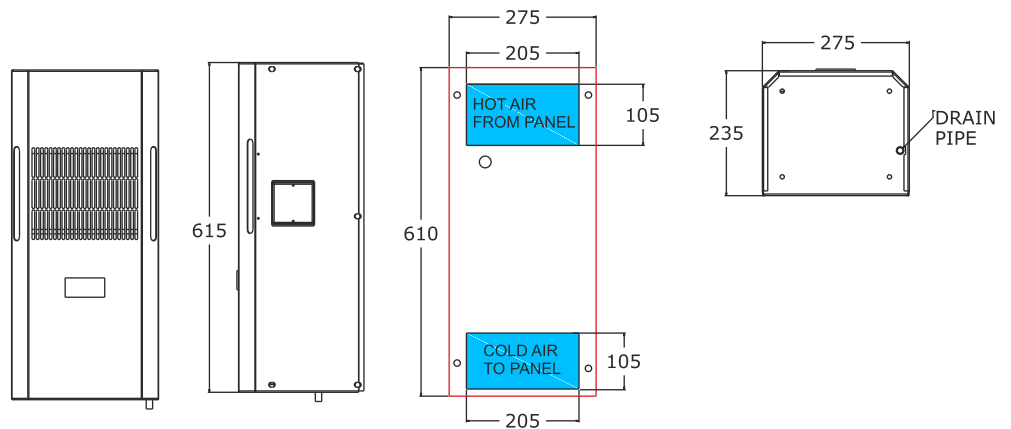
- IT Industries
- Server Room
- Telecom Sector

# Air Conditioning Range

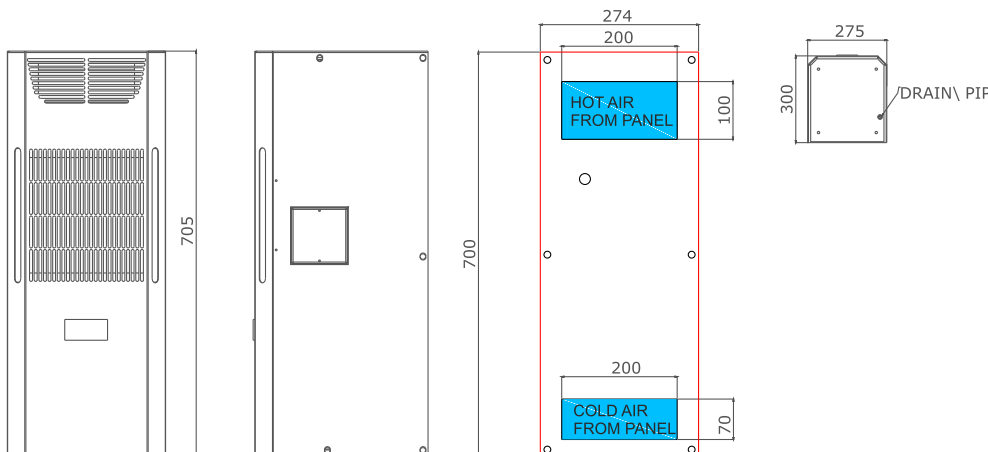
## Wall Mount Panel Air Conditioner



TRP PAC 300W					
ITEM	UNIT	SPECIFICATION	ITEM	UNIT	SPECIFICATION
Mounting	--	Side Mount	Structure	--	MS Frame with MS Sheets Powder Coating of RAL 7035
Cooling Capacity	Watts	300	Unit Dimension	H (mm)	610
Rated Current	Amps	1.8		W (mm)	275
Maximum Ambient	°C	55		D (mm)	235
Ambient Temp. Range	°C	+10/+55	Weight Approx.	KG	18
Air Flow	M <sup>3</sup> /h	200	Power Supply	V/Ph/Hz	230/1/50
Refrigerant	--	R134a	Evaporator Fan	--	Backward Curve
Compressor	--	Reciprocating	Condenser Fan	--	Backward Curve
Condenser	--	Air Cooled, Cooper Tube Aluminium Fins	Temperature Controller	--	Digital Type with Display
Expansion Device	--	Capillary Tube	Duty Cycle	--	Continuous Duty



TRP PAC 600W					
ITEM	UNIT	SPECIFICATION	ITEM	UNIT	SPECIFICATION
Mounting	--	Side Mount	Structure	--	GI Frame with GI Sheets Powder Coating of RAL 7035
Cooling Capacity	Watts	600	Unit Dimension	H (mm)	700
Rated Current	Amps	2.5		W (mm)	275
Maximum Ambient	°C	55		D (mm)	300
Ambient Temp. Range	°C	+10/+55	Weight Approx.	KG	30
Air Flow	M <sup>3</sup> /h	285	Power Supply	V/Ph/Hz	230/1/50
Refrigerant	--	R134a	Evaporator Fan	--	Backward Curve
Compressor	--	Reciprocating	Condenser Fan	--	Backward Curve
Condenser	--	Air Cooled, Cooper Tube Aluminium Fins	Temperature Controller	--	Digital Type with Display
Expansion Device	--	Capillary Tube	Duty Cycle	--	Continuous Duty

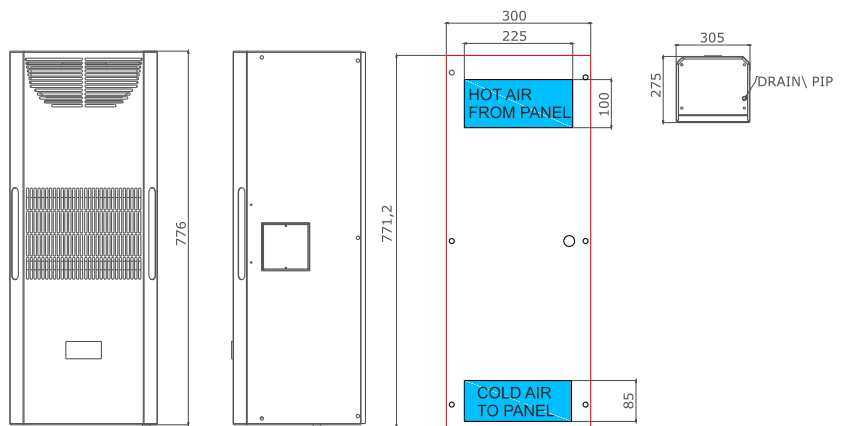


# Air Conditioning Range

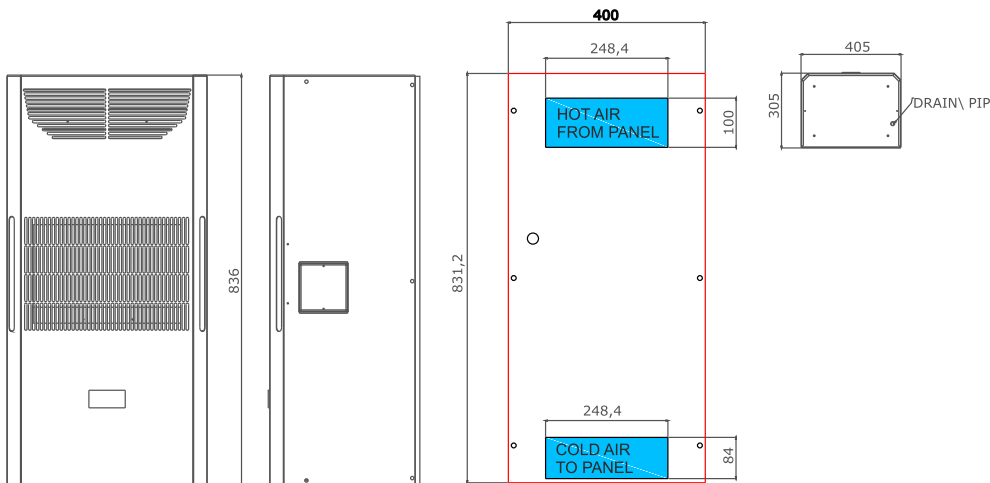
## Wall Mount Panel Air Conditioner



TRP PAC 1000W					
ITEM	UNIT	SPECIFICATION	ITEM	UNIT	SPECIFICATION
Mounting	--	Side Mount	Structure	--	MS Frame with MS Sheets Powder Coating of RAL 7035
Cooling Capacity	Watts	1000	Unit Dimension	H (mm)	771
Rated Current	Amps	2.9		W (mm)	305
Maximum Ambient	°C	55		D (mm)	275
Ambient Temp. Range	°C	+10/+55	Weight Approx.	KG	32
Air Flow	M <sup>3</sup> /h	470	Power Supply	V/Ph/Hz	230/1/50
Refrigerant	--	R134a	Evaporator Fan	--	Backward Curve
Compressor	--	Reciprocating	Condenser Fan	--	Backward Curve
Condenser	--	Air Cooled, Cooper Tube Aluminium Fins	Temperature Controller	--	Digital Type with Display
Expansion Device	--	Capillary Tube	Duty Cycle	--	Continuous Duty



TRP PAC 1600W					
ITEM	UNIT	SPECIFICATION	ITEM	UNIT	SPECIFICATION
Mounting	--	Side Mount	Structure	--	MS Frame with MS Sheets Powder Coating of RAL 7035
Cooling Capacity	Watts	1500	Unit Dimension	H (mm)	831
Rated Current	Amps	3.5		W (mm)	405
Maximum Ambient	°C	55		D (mm)	305
Ambient Temp. Range	°C	+10/+55	Weight Approx.	KG	36
Air Flow	M <sup>3</sup> /h	750	Power Supply	V/Ph/Hz	230/1/50
Refrigerant	--	R134a	Evaporator Fan	--	Backward Curve
Compressor	--	Hermetically Sealed, Reciprocating	Condenser Fan	--	Backward Curve
Condenser	--	Air Cooled, Cooper Tube Aluminium Fins	Temperature Controller	--	Digital Type with Display
Expansion Device	--	Capillary Tube	Duty Cycle	--	Continuous Duty



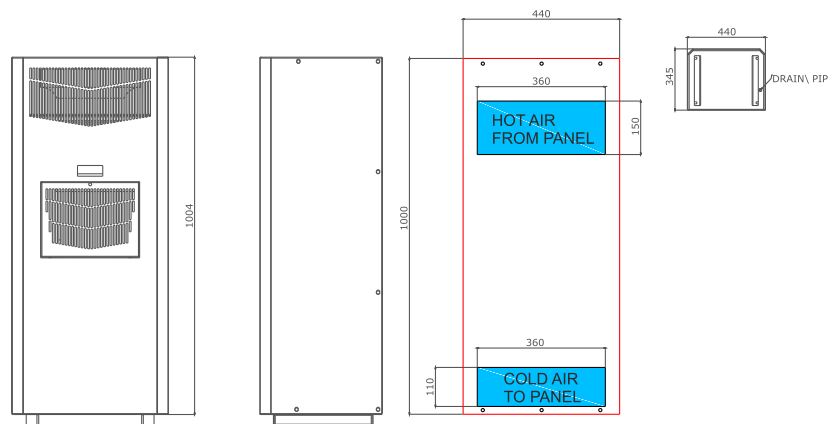


# Air Conditioning Range

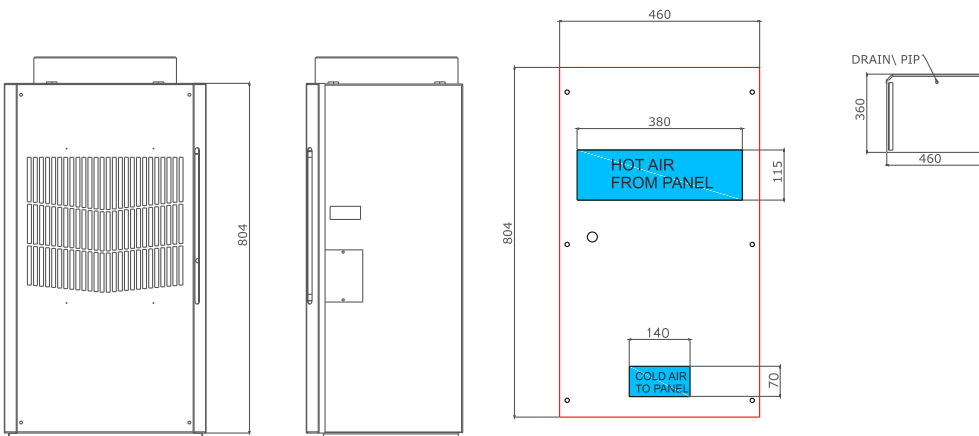
## Wall Mount Panel Air Conditioner



TRP PAC 2000W					
ITEM	UNIT	SPECIFICATION	ITEM	UNIT	SPECIFICATION
Mounting	--	Side Mount	Structure	--	MS Frame with MS Sheets Powder Coating of RAL 7035
Cooling Capacity	Watts	2000	Unit Dimension	H (mm)	1000
Rated Current	Amps	5.5		W (mm)	440
Maximum Ambient	°C	55		D (mm)	345
Ambient Temp. Range	°C	+10/+55	Weight Approx.	KG	42
Air Flow	M <sup>3</sup> /h	1300	Power Supply	V/Ph/Hz	230/1/50
Refrigerant	--	R134a	Evaporator Fan	--	Backward Curve
Compressor	--	Reciprocating	Condenser Fan	--	Backward Curve
Condenser	--	Air Cooled, Cooper Tube Aluminium Fins	Temperature Controller	--	Digital Type with Display
Expansion Device	--	Capillary Tube	Duty Cycle	--	Continuous Duty



TRP PAC 2700W / 3500W					
ITEM	UNIT	SPECIFICATION	ITEM	UNIT	SPECIFICATION
Mounting	--	Side Mount	Structure	--	GI Frame with GI Sheets Powder Coating of RAL 7035
Cooling Capacity	Watts	2700 / 3500	Unit Dimension	H (mm)	804
Rated Current	Amps	5.9 / 6.5		W (mm)	460
Maximum Ambient	°C	55		D (mm)	360
Ambient Temp. Range	°C	+10/+55	Weight Approx.	KG	45 / 48
Air Flow	M <sup>3</sup> /h	450	Power Supply	V/Ph/Hz	230/1/50
Refrigerant	--	R22	Evaporator Fan	--	Backward Curve
Compressor	--	Reciprocating	Condenser Fan	--	Backward Curve
Condenser	--	Air Cooled, Cooper Tube Aluminium Fins	Temperature Controller	--	Digital Type with Display
Expansion Device	--	Capillary Tube	Duty Cycle	--	Continuous Duty

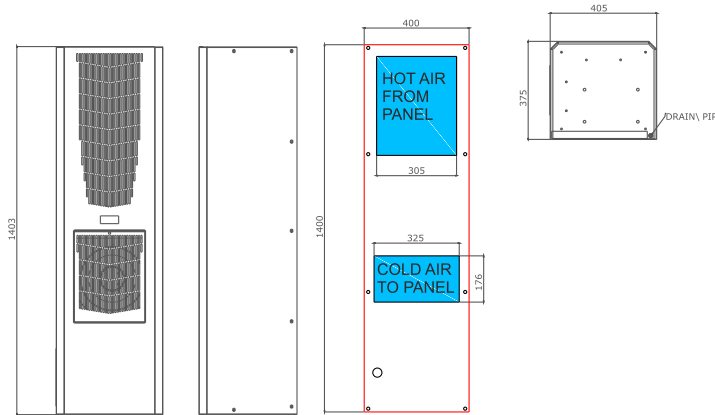


# Air Conditioning Range

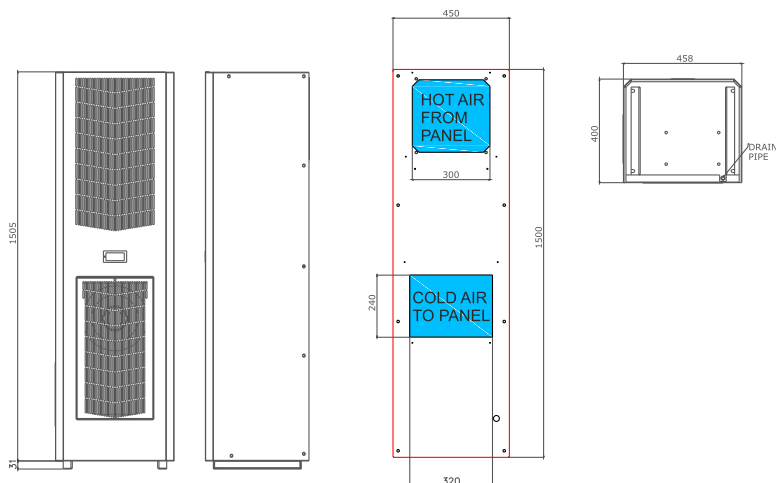
## Wall Mount Panel Air Conditioner



TRP PAC 5000W					
ITEM	UNIT	SPECIFICATION	ITEM	UNIT	SPECIFICATION
Mounting	--	Side Mount	Structure	--	MS Frame with MS Sheets Powder Coating of RAL 7035
Cooling Capacity	Watts	5000	Unit Dimension	H (mm)	1400
Rated Current	Amps	7.8		W (mm)	400
Maximum Ambient	°C	55		D (mm)	330
Ambient Temp. Range	°C	+10/+55	Weight Approx.	KG	42
Air Flow	M <sup>3</sup> /h	1300	Power Supply	V/Ph/Hz	230/1/50
Refrigerant	--	R22	Evaporator Fan	--	Backward Curve
Compressor	--	Reciprocating	Condenser Fan	--	Backward Curve
Condenser	--	Air Cooled, Cooper Tube Aluminium Fins	Temperature	--	Digital Type with Display
Expansion Device	--	Capillary Tube	Duty Cycle	--	Continuous Duty



TRP PAC 7000W					
ITEM	UNIT	SPECIFICATION	ITEM	UNIT	SPECIFICATION
Mounting	--	Side Mount	Structure	--	MS Frame with MS Sheets Powder Coating of RAL 7035
Cooling Capacity	Watts	7000	Unit Dimension	H (mm)	1500
Rated Current	Amps	7.8		W (mm)	458
Maximum Ambient	°C	55		D (mm)	400
Ambient Temp. Range	°C	+10/+55	Weight Approx.	KG	60
Air Flow	M <sup>3</sup> /h	1030	Power Supply	V/Ph/Hz	230/1/50
Refrigerant	--	R22	Evaporator Fan	--	Backward Curve
Compressor	--	Reciprocating	Condenser Fan	--	Backward Curve
Condenser	--	Air Cooled, Cooper Tube Aluminium Fins	Temperature	--	Digital Type with Display
Expansion Device	--	Capillary Tube	Duty Cycle	--	Continuous Duty



# Air Conditioning Range

## Ductable Panel Air Conditioner

TRP DPAC												
ITEM	UNIT	300W	600W	1000W	1600W	2000W	2700W	3500W	5000W	7000W		
Mounting	--	Floor Mount										
Rated Current	Amps	1.8	2.5	2.9	3.5	5.5	5.9	6.5	7.8	7.8		
Max. Ambient	°C	55										
Ambient Temp. Range	°C	+10/+55										
Air Flow	M <sup>3</sup> /h	200	285	470	750	1300	450	450	1300	1030		
Refrigerant	--	R134a					R22					
Compressor	--	Reciprocating										
Condenser	--	Air Cooled, Copper Tube Aluminium Fins										
Evaporator	--	Air Cooled, Copper Tube Aluminium Fins										
Expansion Device	--	Capillary Tube, Drier										
Structure	--	MS Frame with MS Sheets, Powder Coating of RAL7035										
Unit Dimension	H (mm)	610	700	771	831	1000	804	804	1400	1500		
	W (mm)	275	275	305	405	440	460	460	400	458		
	D (mm)	235	300	275	305	345	360	360	330	400		
Weight Approx.	KG	18	30	32	36	42	45	48	42	60		
Power Supply	V/Ph/Hz	230/1/50										
Evaporator Fan	--	Backward Curve					Forward Curve		Backward Curve			
Condenser Fan	--	Backward Curve					Axial		Backward Curve			
Temperature Controller	--	Digital Type with Display										
Duty Cycle	--	Continuous										
Duct Length	Meter	3										

## Water Cooled Panel Air Conditioner

TRP WC PAC											
ITEM	UNIT	300W	600W	1000W	1600W	2000W	2700W	3500W	5000W	7000W	
Mounting	--	Side Mount									
Rated Current	Amps	0.39	0.35	0.4	0.4	0.4	0.76	1.06	1.2	1.8	
Max. Ambient	°C	55									
Ambient Temp. Range	°C	+10/+55									
Air Flow	M <sup>3</sup> /h	406	470	750	750	1300	1600	290	430	910	
Cooling Medium	--	Water									
Evaporator	--	Air Cooled, Copper Tube Aluminium Fins									
Structure	--	MS Frame with MS Sheets, Powder Coating of RAL9010									
Unit Dimension	H (mm)	700	760	865	1000	1140	1140	955	1100	1200	
	W (mm)	165	175	185	195	210	210	185	210	210	
	D (mm)	410	410	410	510	600	650	452	600	600	
Weight Approx.	KG	18	20	20	25	27	32	32	35	40	
Power Supply	V/Ph/Hz	230/1/50									
Evaporator Fan	--	Backward Curve					Forward Curve				
Temperature Controller	--	Digital Type with Display									
Duty Cycle	--	Continuous									

# Air Conditioning Range

## Outdoor Panel Air Conditioner

TRP OPAC									
ITEM	UNIT	300W	600W	1000W	1600W	2000W	2700W	7000W	
Mounting	--	Wall Mount							
IP Class	--								
Rated Current	Amps	1.8	2.5	2.9	3.5	5.5	5.9	6.5	
Max. Ambient	°C	55							
Ambient Temp. Range	°C	+10/+55							
Air Flow	M <sup>3</sup> /h	200	285	470	750	1300	450	450	
Refrigerant	--	R134a					R22		
Compressor	--	Reciprocating							
Condenser	--	Air Cooled, Copper Tube Aluminium Fins							
Evaporator	--	Air Cooled, Copper Tube Aluminium Fins							
Expansion Device	--	Capillary Tube, Drier							
Structure	--	GI Frame with GI Sheets, Powder Coating of RAL7035							
Unit Dimension	H (mm)	610	700	771	831	1000	804	804	
	W (mm)	275	275	305	405	440	460	460	
	D (mm)	300	365	340	370	410	425	425	
Weight Approx.	KG	18	30	32	36	42	45	48	
Power Supply	V/Ph/Hz	230/1/50							
Evaporator Fan	--	Backward Curve					Forward Curve		
Condenser Fan	--	Backward Curve					Axial		
Temperature Controller	--	Digital Type with Display							
Duty Cycle	--	Continuous							
Duct Length	Meter	3							

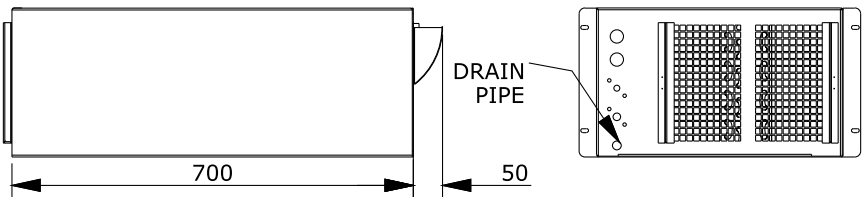
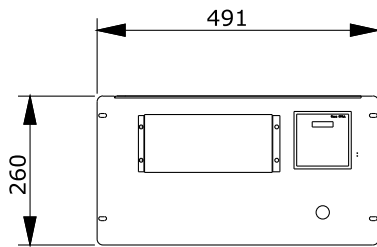
## Rack AC

TRP RACK AC OUTDOOR UNIT							
ITEM	SPECIFICATION	UNIT	RAC-1	RAC-1.5	RAC-2	RAC-2.5	
Compressor	Cooling Capacity	Tonnage	1.0	1.5	2.0	2.5	
		W	3520	5280	7040	8800	
	Type	--	Rotary / Hermetic				
	Quantity	--	Single				
Motor	Motor Make	--	Marathon				
	Model	--	95 DH 012		95 FH 027		
	Motor Speed	RPM	850 (6 Pole)		1200 (4 Pole)		
	Motor Quantity	No.s	1				
Fan	Diameter	Inches	15.75				
	Quantity	No.s	1				
	Type	--	Plastic ( 4 Leaf)				
Condenser Coil	Tube Material	--	Copper				
	Tube Dia & Type	mm	@7.1G				
	No. of Row	No.s	1	1.5	2		
	Coil Size	H	mm	500	500		
		W		660	660		
		D		13	22		
		H	Inches	20	20		
		W		26	26		
		D		0.5	0.9		
	Fin Type	--	Aluminum				
Fin Spacing	Fins/Inch	17					
Dimensions	H	mm	540			665	
	W		760			760	
	D		310			310	
Pkg. Dimensions	H	mm	540			670	
	W		815			850	
	D		350			350	

# Air Conditioning Range

## Rack AC

TRP RACK AC INDOOR UNIT							
ITEM	SPECIFICATION	UNIT	RAC-1	RAC-1.5	RAC-2	RAC-2.5	
			DETAILS				
	Cooling Capacity	Tonnage	1.0	1.5	2.0	2.5	
		W	3520	5280	7040	8800	
Fan	Motor Quantity	No.s	1				
	Fan Type	--	Plastic				
	Fan Size Dia	mm	220				
	Fn Quantity	No.s	1				
Evaporator Coil	Tube	Material	Copper				
	Tube Dia & Type	mm	@9.5 I.G.				
	No. of Row	No.s	2		3		
	Coil Size	H	mm	230			
		W		350			
		D		44			
		H	Inches	9			
		W		13.5			
		D		2			
	Fin Type	--	Aluminum				
Fin Spacing	Fins/Inch	13					
Dimensions	H	mm	260				
	W		491				
	D		700				



Ductable Panel Air Conditioner



Water Cooled Panel Air Conditioner



Outdoor Panel Air Conditioner



Rack AC Indoor Unit



# Air Conditioning Range

## Dehumidifier



A dehumidifier is generally a household appliance which reduces the level of humidity in the air, usually for health or comfort reasons, or to eliminate musty odor. Large dehumidifiers are also used in commercial buildings such as indoor ice rinks to control the humidity level.

### Applications:

- Production & Preservation for pharmaceutical, food and chemical industry.
- Manufacturing & Wrapping processes of chocolates, candies, chewing gums and toffees.
- Keeping crops, tea leaves mushrooms, lumbers & fishes in humidity free environment.
- Protecting the quality of electronic parts, high exposure films during storage.
- Aviation
- Space
- Defense equipment

## Refrigerated Air Dryers

The importance of dry air in Machines and systems:

Excellent operational performance with high quality productivity and increased machine reliability are probably the three most requested attributes that modern machinery and systems using pneumatic components must meet today. However, water contained in compressed air systems (CAS) is the leading enemy in achieving this goal. When water forms in a CAS, not only does it reduce the overall working life of the machine, it also affects the reliability of its pneumatic equipment. By installing a good quality air dryer in your CAS it effectively removes the build-up of water bringing improved performance and productivity.



Operating Range			Power supply voltage	Power consumption (W)	Air port connections	Refrigerant	Weight (kg)	Nominal Air Flow Rate [m <sup>3</sup> /h(ANR)]						
Inlet air pressure (bar)	Inlet air temperature (°C)	Ambient temperature (°C)						-4,- (3°C PDP)	-5,- (7°C PDP)	-6,- (10°C PDP)				
1.5 to 10	5 to 50	2 to 40 (Relative humidity of 85% or less)	Single phase 230 VAC 50 Hz	180	Rc 3/8	R134a (HFC)	18	12	15	17				
1.5 to 16					Rc 1/2		22	24	31	34				
				Rc 3/4	23		36	46	50					
					27		65	83	91					
				Rc 1	28		80	101	112					
					46		120	152	168					
				1.5 to 10	5 to 60		2 to 40 (Relative humidity of 85% or less)	Three phase 400 VAC	760	R1	R407C (HFC)	54	182	231
R1 1/2									62	273		347	382	
R2	100	390	432			510								
	116	660	720			822								
1.5 to 10	5 to 60	2 to 40 (Relative humidity of 85% or less)	Three phase 400 VAC	2500	R2	R407C (HFC)	245	860	1040	1230				
					R2 1/2		270	1100	1320	1550				
				DIN flange 80	350		1340	1690	1920					

## Fan Tray



### Applications

- Designed for installation in any standard 19" Outdoor
- Enclosure to dissipate heat from inside Equipment.
- Used For multiple industry cooling applications .
- Used in Telecom sector.

Fan Tray					
ITEM	2-F	3-F	4-F	5-F	6-F
Height	1U	1U	1U	1U	1U
Fixing	19"	19"	19"	19"	19"
No. of Fans	2	3	4	5	6
Total Capacity-W	1000W	1500W	2000W	2500W	3000W
Variable Speed	Yes	Yes	Yes	Yes	Yes
Total Max. Power	120W	180W	240W	300W	360W
Controller	Microprocessor Controller				
Alarms	Door / Smoke / Fan Fail / Sensor Fail / HT				
Unit Size	1U x 19" x 450 mm				
Manual ON/OFF	Yes	Yes	Yes	Yes	Yes
Communication Port	Yes				



**Chiller Range**

## **Application:**

### **Water Chiller Applications:**

- Plastic And Packaging Industry
- Food And Beverage Industry
- Pharmaceutical
- Textile Industry
- RO

### **Coolant Chiller Applications:**

- CNC Machine Tools
- Metal Cutting
- General Purpose Machining Equipment
- Water Chiller With Tank Applications:
- Plastic Molding Machine
- Laser Machine
- Robotics Welding Machine

### **Glycol Chiller Applications:**

- Food and Beverage Industry
- Pharmaceutical

### **Imersion Chiller Applications:**

- Metal Cutting
- General Purpose Machining Equipment

### **Oil Chiller Applications**

- Metal Cutting
- Metal Forming
- General Purpose Hydraulic Equipment



# Chiller Range

## Combi-Chiller



COMBI-CHILLER				
ITEM	UNIT	SPECIFICATION		
Total Cooling Capacity	KW	10.5		
Refrigerant	-	R22		
Compressor	-	Reciprocating		
Tank Volume	Liter	45		
Condenser Type	-	Microchannel Heat Exchanger		
Refrigerant Quantity	KG	3		
Power Consumption	KW	5		
Distance	Meter	10		
Working Temp. Range	°C	10-50		
Flow Control	-	Solenoid Valve		
Max pressure	Bar	3		
Ambient temp. range	°C	15 - 50		
Max air flow rate	M3/h	4000		
Power circuit voltage	V/Ph/Hz	415/3/50		
Control circuit voltage	V/Ph/Hz	230/1/50		
Weight	KG	300		
Dimensions	H X W X D(MM)	1720 X 758 X 693		
Inlet/Outlet Connection	Inch	1/2"		
Applications	-	Panel AC	Oil Chiller	Coolant Chiller
Cooling Medium	-	Cold Water	Cold water	Cold water
Cooling Capacity	KW	1	4	5.5
Flow Rate.	LPM	30	16	30
Evaporator Type	-	Air Cooled with Aluminum fins	BPHE	BPHE

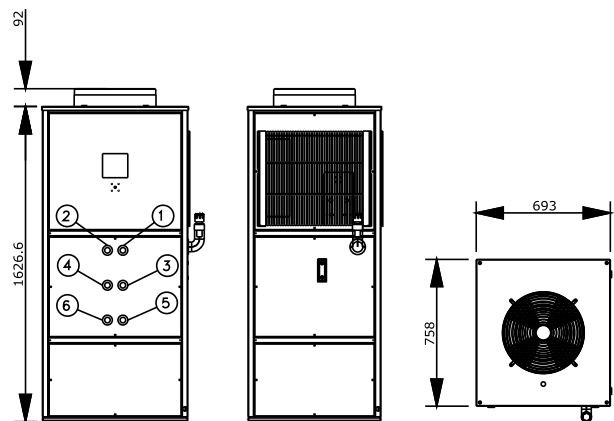
### Salient Features:

- Production & Preservation for pharmaceutical, food and chemical industry.
- Combi chiller helps to maintain overall health of the machine by maintaining coolant, oil and electrical panel temperature at optimum level 24x7 throughout year.
- Use of latest energy efficient components.
- Advance heat exchanger technology MICRO CHANNEL heat exchangers.
- Required less quantity of refrigerant.
- Low noise level.
- All cooling solution in single chiller.
- Compact design and required less space.
- Overall 40% Cost saving over traditional cooling solution.
- Tropicool Microprocessor based temperature controller with LED/LCD digital display for three different temperature status and alarm outputs. Easy to use with tamper proof password facility built in the controller.
- Chiller designed on latest 3D CAD software to ensure components placed for easy access and compact body footprint.

### Applications:

- CNC/VMC machine tools
- CNC lathe
- Machine center
- Dedicated machine tools
- Metal cutting
- Metal forming
- Sheet metal shop

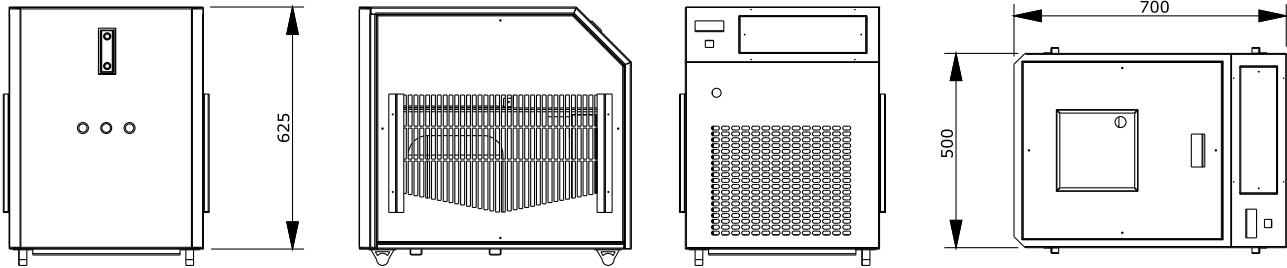
CONN. NO.	CONNECTION
1	COOLANT IN
2	COOLANT OUT
3	OIL IN
4	OIL OUT
5	WATER IN
6	WATER OUT



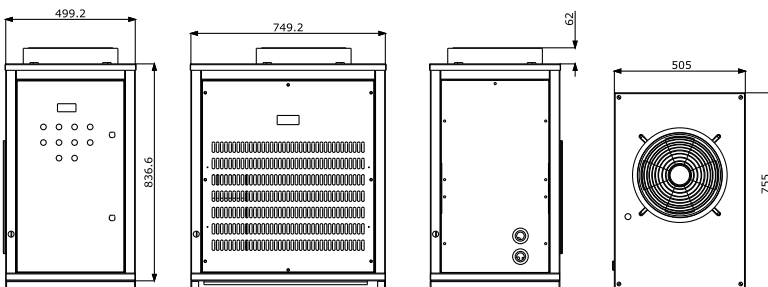
# Chiller Range

## Oil Chiller

TRP OC 2700W		
ITEM	UNIT	SPECIFICATION
Refrigerant	--	R22
Total Cooling Capacity	KW	2.7
Power Consumption	KW	1.6
Refrigerant Quantity	KG	1
Distance	Meter	10
Compressors	--	Reciprocating
Oil Temp. Range	°C	10-50
Oil Flow Rate	LPM	16
Max. Pressure	Bar	3
Ambient Temp. Range	°C	15-50
Max. Air Flow Rate	M <sup>3</sup> /h	1850
Evaporator Type	--	BPHE
Power Circuit Voltage	V/Ph/Hz	415 / 3 / 50
Control Circuit Voltage	V/Ph/Hz	230 / 1 / 50
Weight	KG	80
Dimensions	L x W x H (mm)	700 x 500 x 825
Oil Connection	Inch	1/2 "H



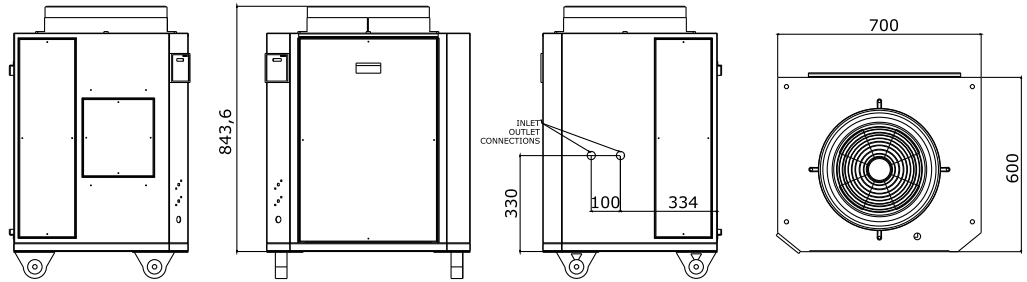
TRP OC 1.5 TR		
ITEM	UNIT	SPECIFICATION
Refrigerant	--	R22
Total Cooling Capacity	KW	5.25
Power Consumption	KW	2.5
Refrigerant Quantity	KG	1.5
Distance	Meter	10
Compressors	--	Reciprocating
Oil Temp. Range	°C	10-50
Oil Flow Rate	LPM	16
Max. Pressure	Bar	3
Ambient Temp. Range	°C	15-50
Max. Air Flow Rate	M <sup>3</sup> /h	1850
Evaporator Type	--	BPHE
Power Circuit Voltage	V/Ph/Hz	415 / 3 / 50
Control Circuit Voltage	V/Ph/Hz	230 / 1 / 50
Weight	KG	90
Dimensions	L x W x H (mm)	755 x 505 x 930
Oil Connection	Inch	1/2"



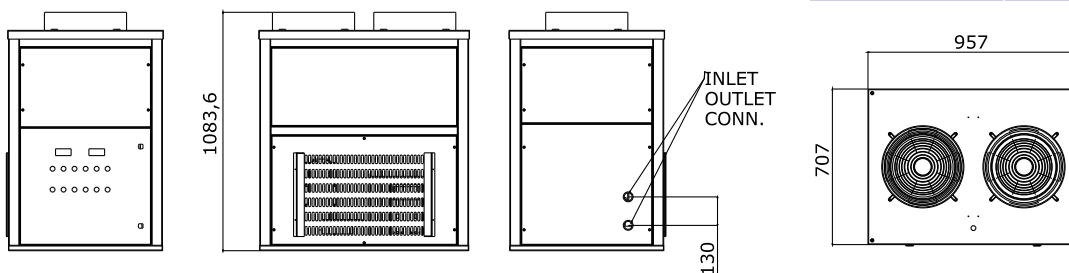
# Chiller Range

## Oil Chiller

TRP OC 2 TR		
ITEM	UNIT	SPECIFICATION
Refrigerant	--	R22
Total Cooling Capacity	KW	7
Power Consumption	KW	3
Refrigerant Quantity	KG	2
Distance	Meter	10
Compressors	--	Reciprocating
Oil Temp. Range	°C	10-50
Oil Flow Rate	LPM	20
Max. Pressure	Bar	3
Ambient Temp. Range	°C	15-50
Max. Air Flow Rate	M <sup>3</sup> /h	2600
Evaporator Type	--	BPHE
Power Circuit Voltage	V/Ph/Hz	415 / 3 / 50
Control Circuit Voltage	V/Ph/Hz	230 / 1 / 50
Weight	KG	100
Dimensions	L x W x H (mm)	700 x 600 x 850
Oil Connection	Inch	1/2" H



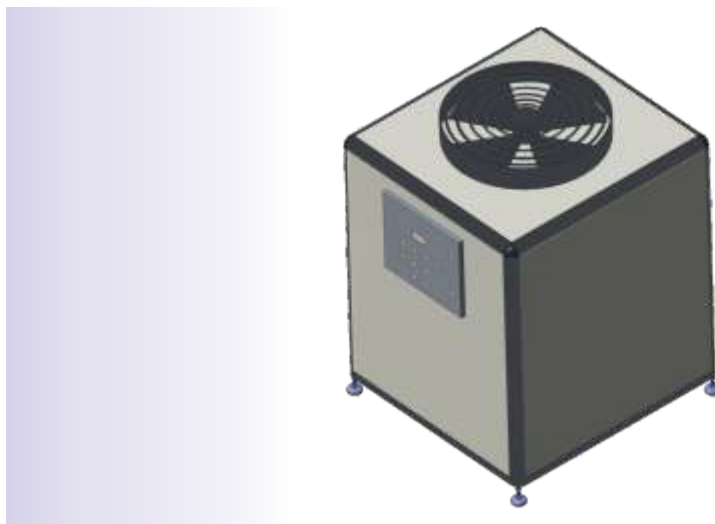
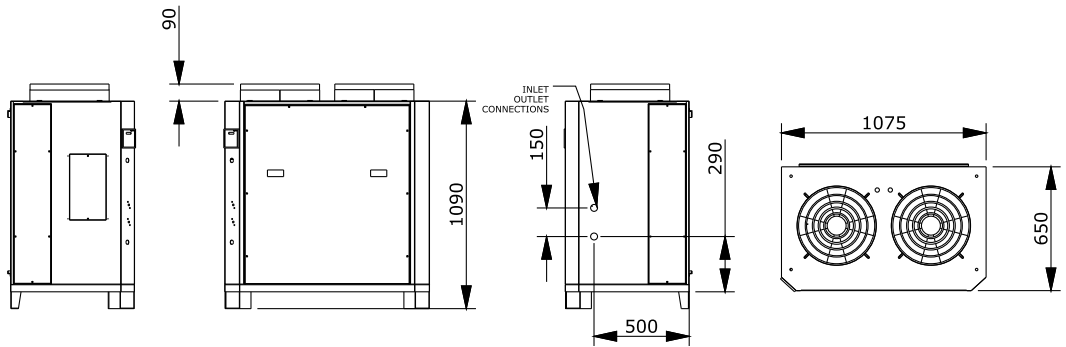
TRP OC 3 TR		
ITEM	UNIT	SPECIFICATION
Refrigerant	--	R22
Total Cooling Capacity	KW	10.5
Power Consumption	KW	4
Refrigerant Quantity	KG	3
Distance	Meter	10
Compressors	--	Reciprocating
Oil Temp. Range	°C	10-50
Oil Flow Rate	LPM	32
Max. Pressure	Bar	3
Ambient Temp. Range	°C	15-50
Max. Air Flow Rate	M <sup>3</sup> /h	5200
Evaporator Type	--	BPHE
Power Circuit Voltage	V/Ph/Hz	415 / 3 / 50
Control Circuit Voltage	V/Ph/Hz	230 / 1 / 50
Weight	KG	90
Dimensions	L x W x H (mm)	1050 x 650 x 870
Oil Connection	Inch	3/4" H



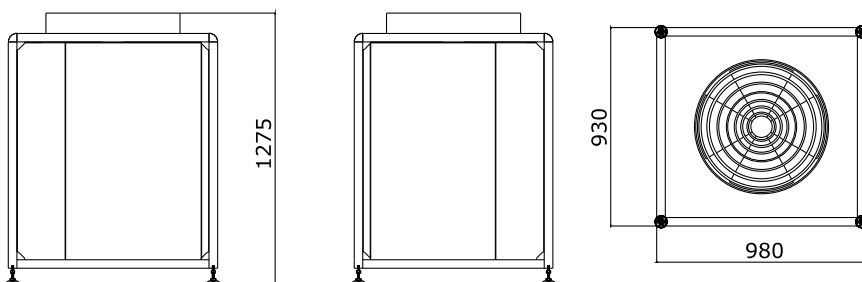
# Chiller Range

## Oil Chiller

TRP OC 5 TR		
ITEM	UNIT	SPECIFICATION
Refrigerant	--	R22
Total Cooling Capacity	KW	17.5
Power Consumption	KW	6
Refrigerant Quantity	KG	5
Distance	Meter	10
Compressors	--	Scroll
Oil Temp. Range	°C	10-50
Oil Flow Rate	LPM	47
Max. Pressure	Bar	3
Ambient Temp. Range	°C	15-50
Max. Air Flow Rate	M <sup>3</sup> /h	8000
Evaporator Type	--	BPHE
Power Circuit Voltage	V/Ph/Hz	415 / 3 / 50
Control Circuit Voltage	V/Ph/Hz	230 / 1 / 50
Weight	KG	250
Dimensions	L x W x H (mm)	1075 x 650 x 1180
Oil Connection	Inch	3/4" H



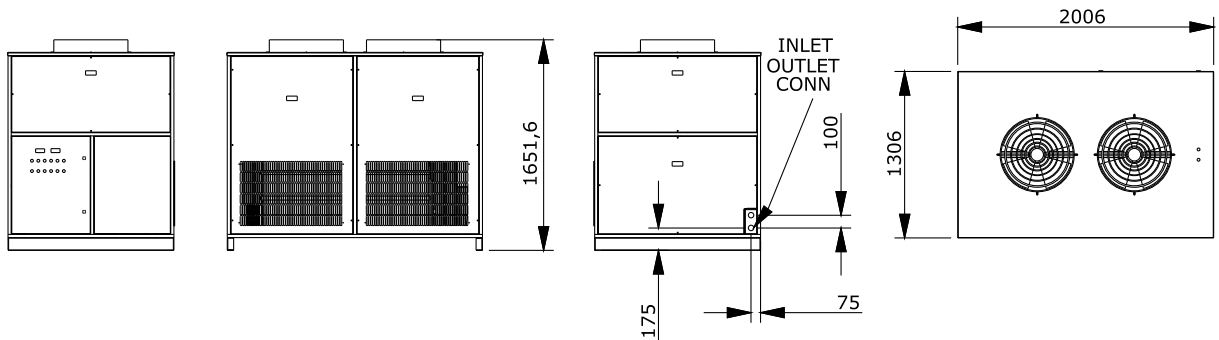
TRP OC 7.5 TR		
ITEM	UNIT	SPECIFICATION
Refrigerant	--	R22
Total Cooling Capacity	KW	26.25
Power Consumption	KW	9
Refrigerant Quantity	KG	7
Distance	Meter	10
Compressors	--	Scroll
Oil Temp. Range	°C	10-50
Oil Flow Rate	LPM	68
Max. Pressure	Bar	3
Ambient Temp. Range	°C	15-50
Max. Air Flow Rate	M <sup>3</sup> /h	8000
Evaporator Type	--	BPHE
Power Circuit Voltage	V/Ph/Hz	415 / 3 / 50
Control Circuit Voltage	V/Ph/Hz	230 / 1 / 50
Weight	KG	250
Dimensions	L x W x H (mm)	1075 x 650 x 1180
Oil Connection	Inch	1"



# Chiller Range

## Oil Chiller

TRP OC 10 TR		
ITEM	UNIT	SPECIFICATION
Refrigerant	--	R22
Total Cooling Capacity	KW	35
Power Consumption	KW	12
Refrigerant Quantity	KG	10
Distance	Meter	10
Compressors	--	Scroll
Oil Temp. Range	°C	10-50
Oil Flow Rate	LPM	100
Max. Pressure	Bar	3
Ambient Temp. Range	°C	15-50
Max. Air Flow Rate	M <sup>3</sup> /h	20300
Evaporator Type	--	BPHE
Power Circuit Voltage	V/Ph/Hz	415 / 3 / 50
Control Circuit Voltage	V/Ph/Hz	230 / 1 / 50
Weight	KG	250
Dimensions	L x W x H (mm)	1700 x 1035 x 1650
Oil Connection	Inch	1"



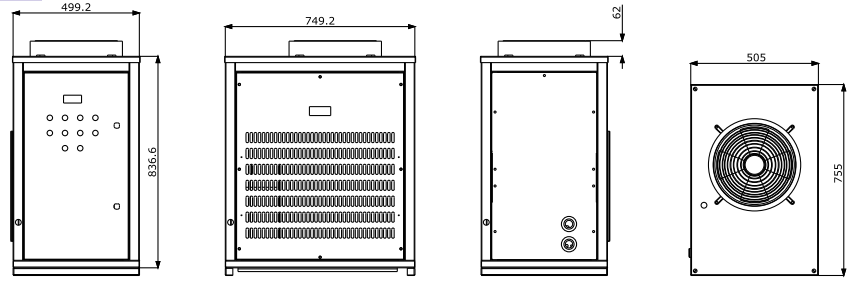
## Water Chiller With Tank

TRP WCT CHILLERS									
ITEM	UNIT	2700W	1.5 TR	2 TR	3 TR	5 TR	7.5 TR	10 TR	
Refrigerant	--	R22							
Total Cooling Capacity	KW	2.7	5.25	7	10.5	17.5	26.25	35	
Power Consumption	KW	1.6	2	3.5	4	6	9	15	
Refrigerant Quantity	KG	1	1	2	3	5	7.5	10	
Head	Meter	10	10	10	10	10	10	10	
Compressors	--	Reciprocating				Scroll			
Water Temp. Range	°C	5-50							
Water Flow Rate	LPM	22	20	22	30	55	81	110	
Max. Pressure	Bar	3	3	3	3	3	3	3	
Tank Volume	Liter	30	45	45	90	170	230	300	
Ambient Temp. Range	°C	15-50							
Max Air Flow Rate	M <sup>3</sup> /h	1850	1850	2600	5200	8000	11000	20300	
Evaporator	--	Cu Tube							
Power Circuit Voltage	V/Ph/Hz	415 / 3 / 50							
Control Circuit Voltage	V/Ph/Hz	230 / 1 / 50							
Weight	KG	80	90	90	100	150	250	350	
Dimensions	L (mm)	700	755	755	957	1406	1460	2006	
	W (mm)	500	505	505	707	781	910	1306	
	H (mm)	625	930	930	1085	1480	1550	1655	
Water Connection	Inch	1/2			3/4		1		

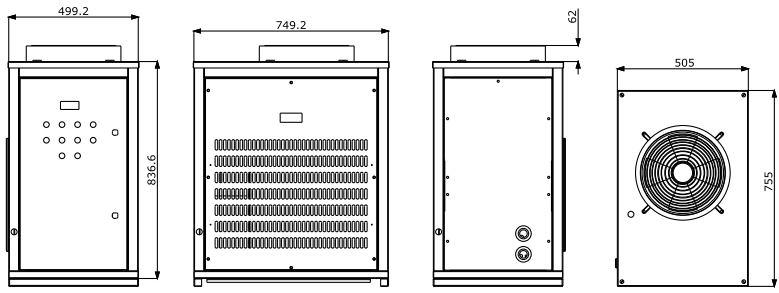
# Chiller Range

## Water Chiller

TRP WC 2700W		
ITEM	UNIT	SPECIFICATION
Refrigerant	--	R22
Total Cooling Capacity	KW	2.7
Power Consumption	KW	1.6
Refrigerant Quantity	KG	1
Distance	Meter	10
Compressors	--	Reciprocating
Oil Temp. Range	°C	10-50
Oil Flow Rate	LPM	22
Max. Pressure	Bar	3
Tank Volume	Liter	30
Ambient Temp. Range	°C	15-50
Max. Air Flow Rate	M <sup>3</sup> /h	1850
Evaporator Type	--	BPHE
Power Circuit Voltage	V/Ph/Hz	415 / 3 / 50
Control Circuit Voltage	V/Ph/Hz	230 / 1 / 50
Weight	KG	80
Dimensions	L x W x H (mm)	755 x 505 x 930
Oil Connection	Inch	1/2" H



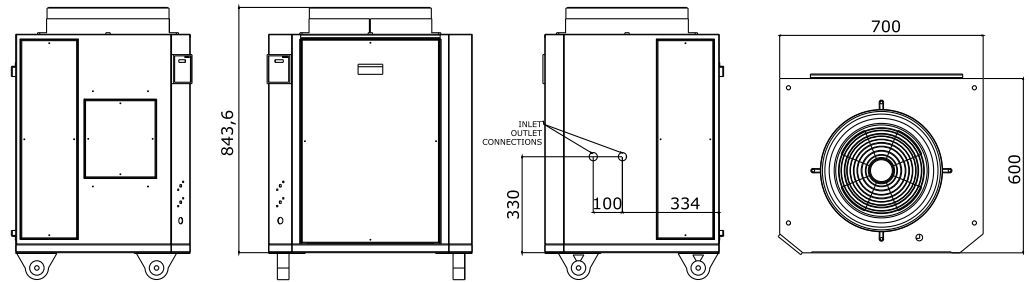
TRP WC 1.5 TR		
ITEM	UNIT	SPECIFICATION
Refrigerant	--	R22
Total Cooling Capacity	KW	5.25
Power Consumption	KW	2
Refrigerant Quantity	KG	1.5
Distance	Meter	10
Compressors	--	Reciprocating
Oil Temp. Range	°C	10-50
Oil Flow Rate	LPM	20
Max. Pressure	Bar	3
Ambient Temp. Range	°C	15-50
Max. Air Flow Rate	M <sup>3</sup> /h	1850
Evaporator Type	--	BPHE
Power Circuit Voltage	V/Ph/Hz	415 / 3 / 50
Control Circuit Voltage	V/Ph/Hz	230 / 1 / 50
Weight	KG	90
Dimensions	L x W x H (mm)	755 x 505 x 930
Oil Connection	Inch	1/2"



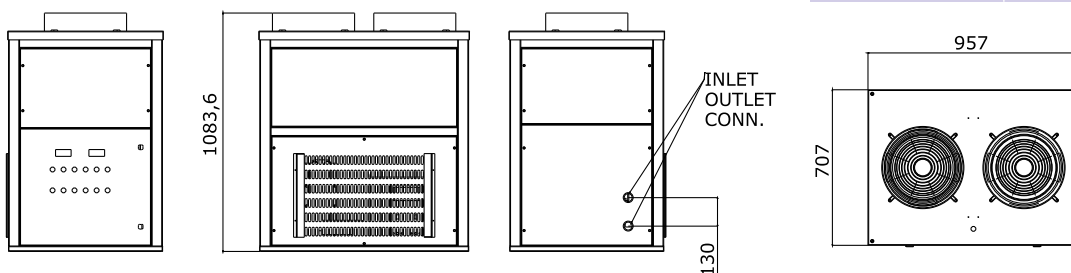
# Chiller Range

## Water Chiller

TRP WC 2 TR		
ITEM	UNIT	SPECIFICATION
Refrigerant	--	R22
Total Cooling Capacity	KW	7
Power Consumption	KW	3
Refrigerant Quantity	KG	2
Distance	Meter	10
Compressors	--	Reciprocating
Oil Temp. Range	°C	10-50
Oil Flow Rate	LPM	22
Max. Pressure	Bar	3
Ambient Temp. Range	°C	15-50
Max. Air Flow Rate	M <sup>3</sup> /h	2600
Evaporator Type	--	BPHE
Power Circuit Voltage	V/Ph/Hz	230/1/50, 415/3/50
Control Circuit Voltage	V/Ph/Hz	230 / 1 / 50
Weight	KG	90
Dimensions	L x W x H (mm)	700 x 600 x 845
Oil Connection	Inch	1/2" H



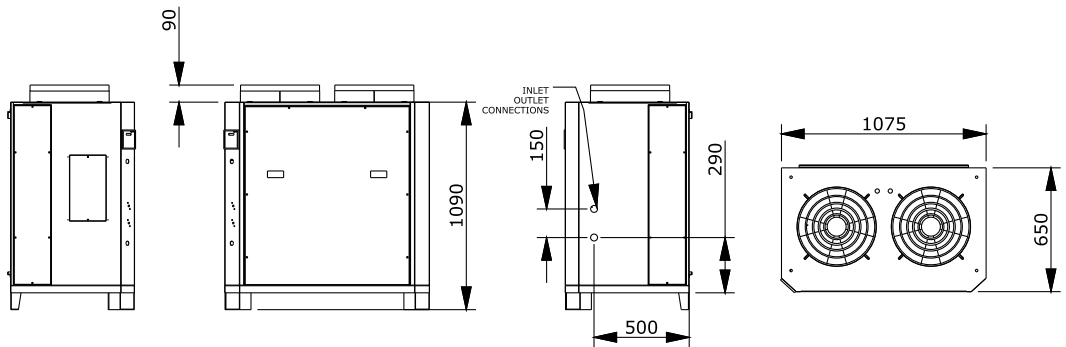
TRP WC 3 TR		
ITEM	UNIT	SPECIFICATION
Refrigerant	--	R22
Total Cooling Capacity	KW	10.5
Power Consumption	KW	4
Refrigerant Quantity	KG	1.5
Distance	Meter	10
Compressors	--	Reciprocating
Oil Temp. Range	°C	10-50
Oil Flow Rate	LPM	30
Max. Pressure	Bar	3
Ambient Temp. Range	°C	15-50
Max. Air Flow Rate	M <sup>3</sup> /h	5200
Evaporator Type	--	BPHE
Power Circuit Voltage	V/Ph/Hz	415 / 3 / 50
Control Circuit Voltage	V/Ph/Hz	230 / 1 / 50
Weight	KG	100
Dimensions	L x W x H (mm)	1050 x 640 x 870
Oil Connection	Inch	3/4" H



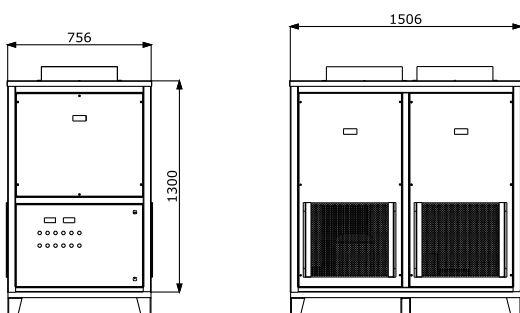
# Chiller Range

## Water Chiller

TRP WC 5TR		
ITEM	UNIT	SPECIFICATION
Refrigerant	--	R22
Total Cooling Capacity	KW	17.5
Power Consumption	KW	6
Refrigerant Quantity	KG	4.5
Distance	Meter	10
Compressors	--	Scroll
Oil Temp. Range	°C	10-50
Oil Flow Rate	LPM	55
Max. Pressure	Bar	3
Ambient Temp. Range	°C	15-50
Max. Air Flow Rate	M <sup>3</sup> /h	8000
Evaporator Type	--	BPHE
Power Circuit Voltage	V/Ph/Hz	415 / 3 / 50
Control Circuit Voltage	V/Ph/Hz	230 / 1 / 50
Weight	KG	150
Dimensions	L x W x H (mm)	1075 x 650 x 1200
Oil Connection	Inch	3/4" H



TRP WC 7.5 TR		
ITEM	UNIT	SPECIFICATION
Refrigerant	--	R22
Total Cooling Capacity	KW	26.25
Power Consumption	KW	9
Refrigerant Quantity	KG	7
Distance	Meter	10
Compressors	--	Scroll
Oil Temp. Range	°C	10-50
Oil Flow Rate	LPM	81
Max. Pressure	Bar	3
Ambient Temp. Range	°C	15-50
Max. Air Flow Rate	M <sup>3</sup> /h	11000
Evaporator Type	--	BPHE
Power Circuit Voltage	V/Ph/Hz	415 / 3 / 50
Control Circuit Voltage	V/Ph/Hz	230 / 1 / 50
Weight	KG	250
Dimensions	L x W x H (mm)	1506 x 756 x 1300
Oil Connection	Inch	1"

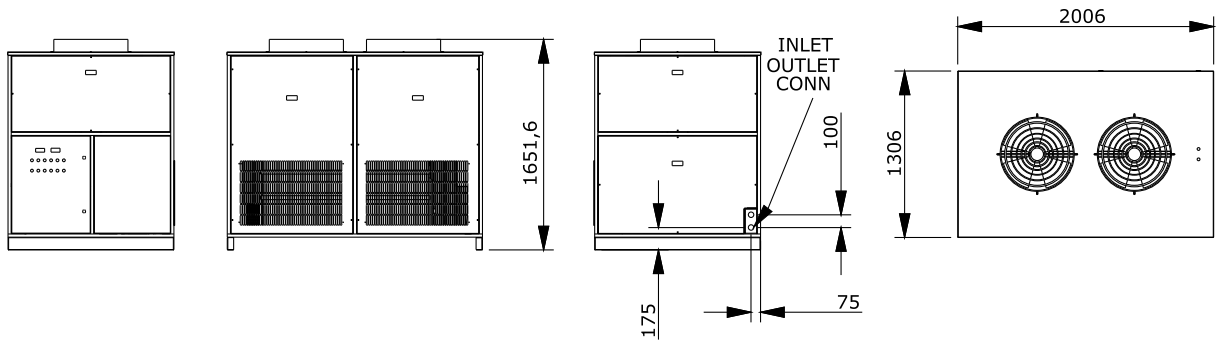




# Chiller Range

## Water Chiller

TRP WC 10 TR		
ITEM	UNIT	SPECIFICATION
Refrigerant	--	R22
Total Cooling Capacity	KW	35
Power Consumption	KW	12
Refrigerant Quantity	KG	10
Distance	Meter	10
Compressors	--	Scroll
Oil Temp. Range	°C	10-50
Oil Flow Rate	LPM	110
Max. Pressure	Bar	3
Ambient Temp. Range	°C	15-50
Max. Air Flow Rate	M <sup>3</sup> /h	20300
Evaporator Type	--	BPHE
Power Circuit Voltage	V/Ph/Hz	415 / 3 / 50
Control Circuit Voltage	V/Ph/Hz	230 / 1 / 50
Weight	KG	250
Dimensions	L x W x H (mm)	1700 x 1035 x 1650
Oil Connection	Inch	1"



## Immersion Chiller

TRP IMMERSION CHILLERS									
ITEM	UNIT	2700W	1.5 TR	2 TR	3 TR	5 TR	7.5 TR	10 TR	
		DETAILS							
Refrigerant	--	R22							
Total Cooling Capacity	KW	2.7	5.25	7	10.5	17.5	26.25	35	
Power Consumption	KW	1.6	2	3	4	6	9	12	
Refrigerant Quantity	KG	1	1	2	3	5	7.5	10	
Distance	Meter	10	10	10	10	10	10	10	
Compressors	--	Reciprocating				Scroll			
Water Temp. Range	°C	5-50							
Ambient Temp. Range	°C	15-50							
Max. Air Flow Rate	M <sup>3</sup> /h	1850	1850	2600	5200	8000	11000	20300	
Evaporator	--	Cu Tube	Cu Tube	Cu Tube	Cu Tube	Cu Tube	Cu Tube	Cu Tube	
Power Circuit Voltage	V/Ph/Hz	415 / 3 / 50							
Control Circuit Voltage	V/Ph/Hz	230 / 1 / 50							
Weight	KG	80	90	90	100	150	250	350	
Dimensions	L (mm)	505	505	505	750	895	985	1070	
	W (mm)	405	405	405	750	880	955	1070	
	H (mm)	915	915	915	1250	1345	1405	1485	
Water Connection	Inch	1/2	1/2	1/2	3/4	3/4	1	1	

# Chiller Range

## Water Cooled Chiller

TRP IMMERSION CHILLERS									
ITEM	UNIT	2700W	1.5 TR	2 TR	3 TR	5 TR	7.5 TR	10 TR	
DETAILS									
Refrigerant	--	R22							
Total Cooling Capacity	KW	2.7	5.25	7	10.5	17.5	26.25	35	
Power Consumption	KW	1.6	3	3	4	6	9	12	
Refrigerant Quantity	KG	1	1.5	2	3	5	7.5	10	
Head	Meter	10	10	10	10	10	10	10	
Compressors	--	Reciprocating				Scroll			
Water Temp. Range	°C	-20~50							
Water Flow Rate Condenser	LPM	11	21	28	41	68	102	135	
Water Flow Rate Evaporator	LPM	20	22	22	30	55	81	110	
Max. Pressure	Bar	3							
Tank Volume	Liter	35	50	50	120	200	280	350	
Ambient Temp. Range	°C	15-50							
Condenser & Evaporator	--	Shell & Tube							
Power Circuit Voltage	V/Ph/Hz	415 / 3 / 50							
Control Circuit Voltage	V/Ph/Hz	230 / 1 / 50							
Weight	KG	80	90	90	100	150	250	350	
Water Connection	Inch	1/2			3/4		1		

## Glycol Chiller

TRP GC CHILLERS									
ITEM	UNIT	2700W	1.5 TR	2 TR	3 TR	5 TR	7.5 TR	10 TR	
DETAILS									
Refrigerant	--	R22 / R404a / R407c							
Total Cooling Capacity	KW	2.7	5.25	7	10.5	17.5	26.25	35	
Power Consumption	KW	1.6	3	3.5	5	6	11	15	
Refrigerant Quantity	KG	1	1.5	2	3	5	7.5	10	
Head	Meter	10	10	10	10	10	10	10	
Compressors	--	Reciprocating				Scroll			
Water Temp. Range	°C	-20~50							
Water Flow Rate	LPM	20	22	22	30	55	81	110	
Max. Pressure	Bar	3	3	3	3	3	3	3	
Tank Volume	Liter	35	50	50	120	200	280	350	
Ambient Temp. Range	°C	15-50							
Max Air Flow Rate	M³/h	1850	1850	2600	5200	8000	11000	20300	
Evaporator	--	Cu Tube							
Power Circuit Voltage	V/Ph/Hz	415 / 3 / 50							
Control Circuit Voltage	V/Ph/Hz	230 / 1 / 50							
Weight	KG	80	90	90	100	150	250	350	
Dimensions	L (mm)	700	755	755	957	1406	1460	2006	
	W (mm)	500	505	505	707	781	910	1306	
	H (mm)	625	930	930	1085	1480	1550	1655	
Water Connection	Inch	1/2			3/4		1		

# Chiller Range

Immersion Chiller



Water Cooled Chiller



Glycol Chiller



Water Chiller With Tank





**Industrial Filtration system**

## **Application:**

### **Mist Collector :**

- Metal Cutting
- CNC Machine Tool

### **Dust Collector:**

- Dry Machining
- Welding Process
- Plasma Cutting
- Laser Cutting

# Industrial Filtration system

## Mist Collectors



Industrial air filters for oil mists, fumes, nasty smells, dust and metal shavings for machine tools and industry. Tropicool suction systems differ depending on the specific needs of the single machine tools: centrifugal aspirators, static filters assembled to the machine, high flow-rate units or centralised systems for the abatement of whatever polluting mix. To satisfy all requirements effectively, all of our air filters are modular type and can be matched with a wide range of pre- and post-filter units.

**Energy and oil savings**

**Efficiency in manufacturing processes**

**Easy installation and maintenance**

**Compact and modular**

Available in 4 models of centrifugal air filters, covers throughput ranges from 600 to 3300 m<sup>3</sup>/h. Thanks to patented and innovative technology, the **ZERO MIST** series, with interchangeable rotors turbine single centrifuge and double centrifuge, provides maximum performance at moderate costs. Horizontal and vertical installation possible. Expandable system with our pre-and post-filters, for removal of many kinds of pollutant at its source, eliminating oil mists and micro-mists, smokes, vapours and unpleasant odours. Wide range of accessories.

---

## Dust Collectors

**ZERO DUST** is a filtration module specific for filtering air containing dry dust and smokes deriving from dry machining, welding processes, plasma and laser cutting. The filtration module enables the extraction of industrial dusts and non combustible smokes in areas with potentially non-explosive atmospheres.

**ZERO DUST** is a cartridge-system filtration module which may be used individually or connected in a centralised system, to purify air. The structure consists of 3 main parts: a compartment containing the filter cartridges; a soundproof box with fan; a dust collection tray.





Accreditation



## **Tropicool e-Novations & Cooling Systems**

E21 AND 22, G BLOCK,  
NEAR LEAR CORPORATION, MIDC BHOSARI,  
PUNE -411026, MAHARASHTRA, INDIA  
CONTACT : MR. MANOJ GHIVE  
MOBILE : 08411004467  
EMAIL ID : manoj@rautgroupindia.com  
WEBSITE : www.tropicools.in

---

### **Support**

#### **West India**

Mr. Sandip Raut  
09881230707

#### **South India**

Mr. Kiran D.  
+91 6361266780

#### **Gujarat Region**

Mr. Manoj Ghive  
08411004467

---

#### **Central & East India**

Mr. Manoj Ghive  
08411004467

#### **Madhya Pradesh**

Mr. Vinod Arora  
09303201554

#### **North India**

Mr. Jafar Iqbal  
0950170047