

Instruction/ Installation Manual



OPERATIONS

1. Use 220-240 Volts, 50 Hz, AC, Single Phase supply for the fan
2. Install on the leveled surface

SAFETY PRECAUTIONS

1. Hire a qualified electrician for installation and commissioning of fan
2. Ensure all hardware and fitments are securely tightened to prevent accident
3. To ensure maximum stability the mounting surface (Wall, Window frame etc) should be leveled.
4. Do not insert any object through Guard-Grill
5. Use only genuine spares for repairing if required

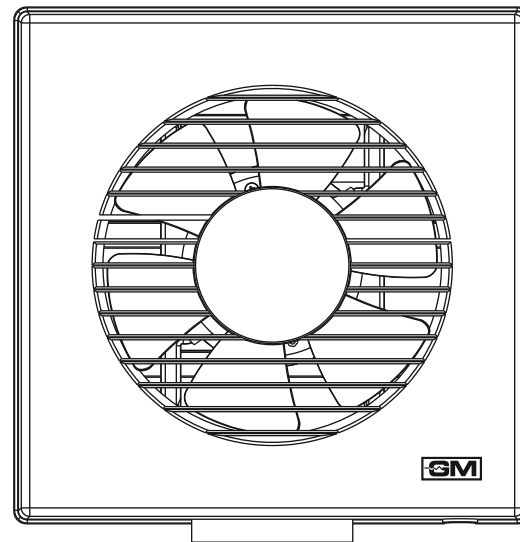


GM ELEKTRA PVT. LTD.

303, Shalimar Morya Park, New Link Rd, Andheri (W), Mumbai- 400053, Maharashtra, India.
Customer Care No.: 080 6905 6805 | Email: care@gmelektra.com

WhatsApp No.: 99203 54444 (Send 'Hi' to connect with us instantly)

www.gmmodular.com



Delivering
Fresh Air



ECOAIRHS
Ventilating Fan with Grill

COVER

The Ventilating Fan purchased directly from the company or from any of the authorised dealer, is warranted against manufacturing defects for a period of 2 years from the date of original purchase.

Kindly preserve this warranty card along with original purchase invoice / bill to avail free service within warranty period. Company's List price will be charged for worn out, broken or damaged parts.

WARRANTY SHALL NOT APPLY

- If installations, maintenance and use of fan and accessories is not done as per instructions provided.
- For the damage resulting from toppling or falling-off of the fan, distorted / damage blades, accident, attempted repairs, mishandling or negligence on the part of customer or unauthorized persons.
- For normal wear & tear, aging effect or chipping, peeling off or any other damage to the painted, plated, metallized or plastic parts.
- For the damage resulting due to fan installed / operated in abnormal or hostile environment or due to exposure or entrapment of water from ceiling or any other source.
- For the damage resulting due to usage of power supply other than specified 220-240 Volts, 50 Hz AC mains e.g. Invertors, generators etc.
- On electroplated finish / coating.

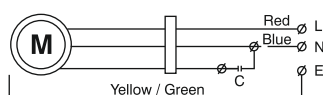
NOTE:

- For any dispute, country's rule apply.
- Company will not be held responsible for any delay in servicing due to non-availability of any components or due to any reasons beyond the control of the company.
- This warranty is in lieu of all other guarantee / warranties, expressed or implied and does not cover any kind of consequential damage.
- In no case our liability under this warranty will exceed the value of the product.

SAFETY GUIDELINES

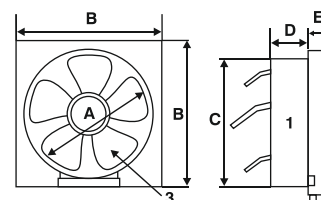
1. Read the instructions carefully before installation & keep it safely for future reference.
2. Keep the packaging away from the reach of the children.
3. After opening the pack ensure that no components are damaged & fan is intact.
4. Fan is to be installed by a qualified technician to avoid any damages arising of wrong connections.
5. Never insert any object into the blade of the fan.
6. Before carrying out any cleaning or servicing operation, always switch off the power supply to the fan.
7. In the event of the fan failing to operate, all repairs must be undertaken by a company approved Service Centre.
8. Do not install the fan where it could be exposed to excess vapour or direct water splash.
9. Fan should be used as exhaust fan only.

WIRING DIAGRAM



1

IDENTIFICATION OF PARTS & DIMENSIONS

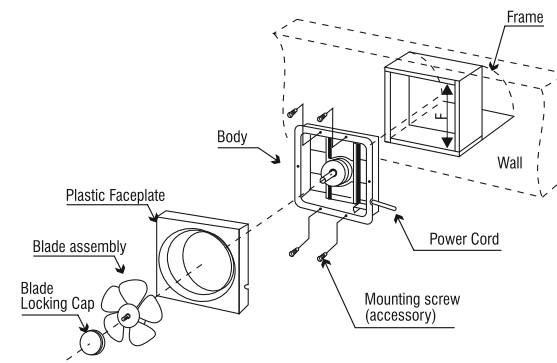


1	BODY	2	PLASTIC FACEPLATE
3	BLADE	4	BLADE LOCKING CAP

Model	A	B	C	D	E
150 mm	150	240	175	80	50
200 mm	200	300	245	90	45

INSTALLATION INSTRUCTIONS

1. Make appropriate Frame for mounting the fan as preferably wooden frame.
2. Fasten the Body onto the Frame with mounting screws.
3. Place the Plastic Faceplate on the Body and press gently so that the Plastic Faceplate gets locked with the Body.
4. Put the Blade Assembly on the motor shaft and lock it with Blade Locking Cap by turning it in clockwise direction.
5. Connect to Power source of 230 V, 50 Hz a.c. as per the wiring diagram shown. Yellow & green wire must be grounded and all the connections should be firm and safe.



MAINTENANCE

1. Before carrying out any cleaning or servicing operation, always switch off the power supply to the fan.
2. Never use Petrol, Benzene, Thinner or any other such chemical for cleaning.
3. Use moistened cloth (NOT WET) to remove dirt from the plastic surfaces.
4. Do not immerse blades or other plastic parts in hot water over 60° C.
5. Do not allow water to contact electrical parts such as motor or switches.

2

INSIDE