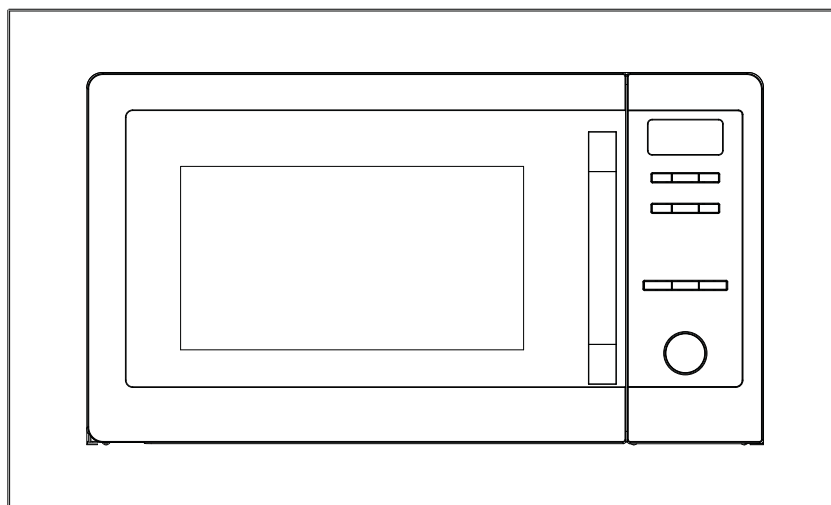


# **GLEN**

Live Better !

## **BUILT-IN MICROWAVE GL 677**



### **USER'S GUIDE**

## Important safety instructions

When using electrical appliance basic safety precautions should be followed, including the following:

**Warning:** to reduce the risk of burns, electric shock, fire, injury to persons or exposure to excessive microwave energy:

1. Read all instructions before using the appliance.
2. Use this appliance only for its intended use as described in this manual. Do not use corrosive chemicals or vapors in this appliance. This type of oven is specifically designed to heat, cook or dry food. It is not designed for industrial or laboratory use.
3. Do not operate the oven when empty.
4. Do not operate this appliance if it has a damaged cord or plug, if it is not working properly or if it has been damaged or dropped. If the supply cord is damaged, it must be replaced by the manufacturer or its service agent or a similarly qualified person in order to avoid a hazard.
5. **Warning:** when the appliance is operated in the combination mode, children should only use the oven under adult supervision due to the temperatures generated.
6. **Warning:** only allow children to use the oven without supervision when adequate instructions have been given so that the child is able to use the oven in a safe way and understands the hazards of improper use.
7. To reduce the risk of fire in the oven cavity:
  - a. When heating food in plastic or paper container, keep an eye on the oven due to the possibility of ignition.
  - b. Remove wire twist-ties from paper or plastic bags before placing bag in oven.
  - c. If smoke is observed, switch off or unplug the appliance and keep the door closed in order to stifle any flames.
  - d. Do not use the cavity for storage purposes. Do not leave paper products, cooking utensils or food in the cavity when not in use.
8. **Warning:** liquid or other food must not be heated in sealed containers since they are liable to explode.
9. Microwave heating of beverage can result in delayed eruptive boiling, therefore care has to be taken when handle the container.
10. Do not fry food in the oven. Hot oil can damage oven parts and utensils and even result in skin burns.
11. Eggs in their shell and whole hard-boiled eggs should not be heated in microwave ovens since they may explode even after microwave heating has ended.
12. Pierce foods with heavy skins such as pota toes, whole squashes, apples and chestnuts before cooking.
13. The contents of feeding bottles and baby jars should be stirred or shaken and the temperature should be checked before serving in order to avoid burns.
14. Cooking utensils may become hot because of heat transferred from the heated food. Potholders may be damaged and the warranty would be avoid .
21. The accessible surface may be hot during operation.

22. The door or the outer surface may get hot when the appliance is operating.
23. The temperature of accessible surfaces may be high when the appliance is operating.
24. The appliance shall be placed against a wall.
25. **Warning:** if the door or door seals are damaged, the oven must not be operated until it has been repaired by a competent person
26. The instructions shall state that appliances are not intended to be operated by means of an external timer or separate remote-control system.
27. The microwave oven is for household use only and not for commercial use.
28. Never remove the distance holder in the back or on the sides, as it ensures a minimum distance from the wall for air circulation.
29. Please secure the turn table before you move the appliance to avoid damages.
30. **Caution:** it is dangerous to repair or maintain the appliance by no other than a specialist because under these circumstances the cover have to be removed which assures protection against microwave radiation. This applies to changing the power cord or the lighting as well. Send the appliance in these cases to our service central.
31. The microwave oven is intended for defrosting, cooking and steaming of food only.
32. Use gloves if you remove any heated food.
33. Caution! Steam will escape, when opening lids or wrapping foil.
34. If smoke is emitted, switch off or unplug the appliance and keep the door closed in order to stifle.



**CAUTION: Hot Surface**

This appliance can be used by children aged from 8 years and above and persons with educated physical, sensory or mental capabilities or lack of experience and knowledge if they have been given supervision or instruction concerning use of the appliance in a safe way and understand the hazards involved. Children shall not play with the appliance. Cleaning and user maintenance shall not be made by children unless they are older than 8 and supervised.

Keep the appliance and its cord out of reach of children less than 8 years.

## INSTALLATION

1. Make sure all the packing materials are removed from the inside of the door.
2. Inspect the oven after unpacking for any visual damage such as:
  - Misaligned Door
  - Damaged Door
  - Dents or Holes in Door Window and Screen
  - Dents in CavityIf any of the above are visible, DO NOT use the oven.
3. This Microwave Oven weighs 14.5 kg and must be placed on a horizontal surface strong enough to support this weight.
4. The oven must be placed away from high temperature and steam.
5. DO NOT place anything on top of the oven.
6. DO NOT remove the turn -table drive shaft.
7. As with any appliance, close supervision is necessary when used by children.

### WARNING-THIS APPLIANCE MUST BE EARTHED.

1. The plug socket should be within easy reach of the power cord
2. This oven requires 1.5 KVA for its input. Consultation with service engineer is suggested when installing the oven.

CAUTION: This oven is protected internally by ac 250V, 10 Amp Fuse.

## IMPORTANT

The wires in this mains lead are coloured in accordance with the following code:

Green-and-yellow	: Earth
Blue	: Neutral
Brown	: Live

As the colours of the wires in the mains leads of the appliance may not correspond with the coloured markings identifying the terminals in your plug, proceed as follows:

The wire which is coloured green-and-yellow must be connected to the terminal in the plug which is marked with the letter E or by the earth symbol  $\perp$  coloured green of green-and-yellow.

The wire which is coloured blue must be connected to the terminal which is marked with the letter N or coloured black.

The wire which is coloured brown must be connected to the terminal which is marked with the letter L or coloured red.

## IMPORTANT SAFETY INSTRUCTIONS

- WARNING: When the appliance is operated in the combination mode, children should only use the oven under adult supervision due to the temperatures generated; (Only for the model with grill function)
- WARNING: If the door or door seals are damaged, the oven must not be operated until it has been repaired by a competent person;
- WARNING: It is hazardous for anyone other than a competent person to carry out any service or repair operation that involves the removal of a cover which gives protection against exposure to microwave energy;
- WARNING: liquids and other foods must not be heated in sealed containers since they are liable to explode.
- WARNING: Only allow children to use the oven without supervision when adequate instructions have been given so that the child is able to use the oven in a safe way and understands the hazards of improper use;
- The oven must have sufficient air flow.Keep 10 cm space at back;15 cm at both sides and 30cms from top of the oven.Don't remove oven's feet, do not block air events of the oven.
- Only use utensils that are suitable for use in microwave ovens.
- When heating food in plastic or paper containers, keep an eye on the oven due to the possibility of ignition;
- If smoke is observed, switch off or unplug the appliance and keep the door closed in order to stifle any flames;
- Microwave heating of beverages can result in delayed eruptive boiling, therefore care must be taken when handling the container;
- The contents of feeding bottles and baby food jars shall be stirred or shaken and the temperature checked before consumption, in order to avoid burns;
- Eggs in their shell and whole hard-boiled eggs should not be heated in microwave ovens since they may explode, even after microwave heating has ended;
- When cleaning surfaces of door, door seal, cavity of the oven, use only mild, nonabrasive soaps, or detergents applied with a sponge or soft cloth.
- The oven should be cleaned regularly and any food deposits removed;
- Failure to maintain the oven in a clean condition could lead to deterioration of the surface that could adversely affect the life of the appliance and possibly result in a hazardous situation;
- If the supply cord is damaged, it must be replaced by the manufacturer, its service agent or similarly qualified persons in order to avoid a hazard.

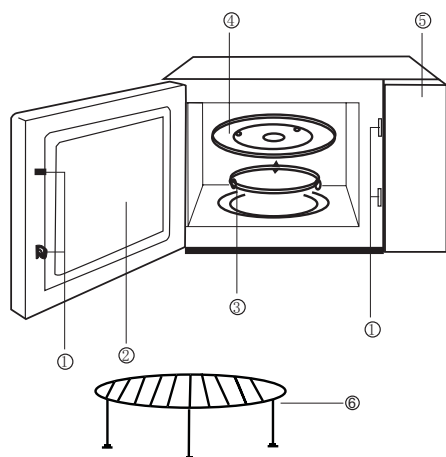
## SAFETY INSTRUCTIONS FOR GENERAL USE

Listed below are, as with all appliances, certain rules to follow and safeguards to assure top performance from this oven:

1. Always have the glass tray, roller arms, coupling and roller track in place when operating the oven.
2. Do not use the oven for any reason other than food preparation, such as for drying clothes, paper, or any other nonfood items, or for sterilizing purposes.
3. Do not operate the oven when empty. This could damage the oven.
4. Do not use the oven cavity for any type of storage,such a papers, cookbooks, etc.
- 5.Do not cook any food surrounded by a membrane,such as egg yolks,potatoes,chicken livers,etc without first being pierced several times with a fork.

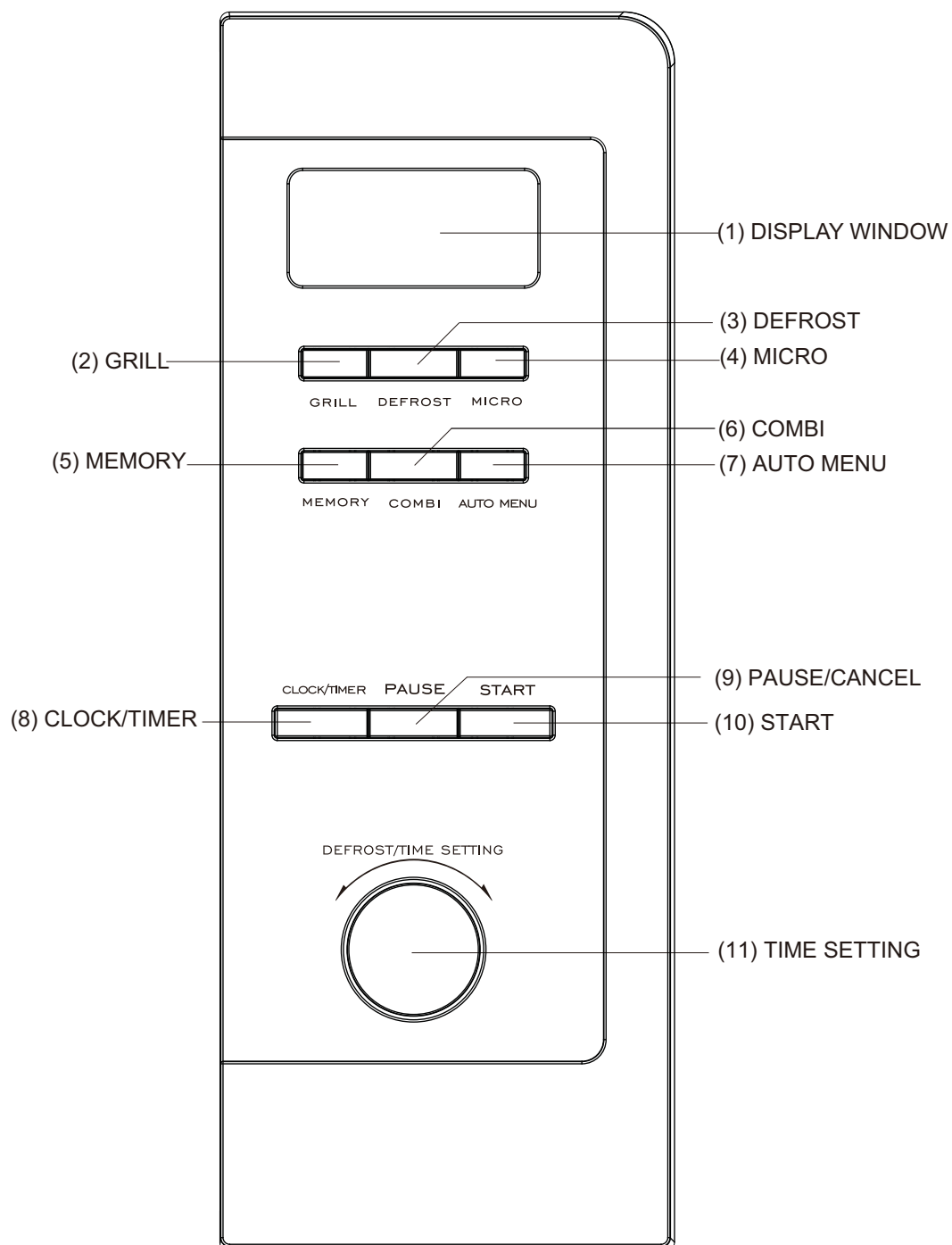
6. Do not insert any object into the openings on the outer case.
7. Do not at any time remove parts from the oven such as the feet, coupling, screws, etc.
8. Do not cook food directly on the glass tray. Place food in/on proper cooking utensil before placing in the oven.
9. **IMPORTANT-COOKWARE NOT TO USE IN YOUR MICROWAVE OVEN**  
Do not use metal pans or dishes with metal handles.  
Do not use anything with metal trim.  
Do not use paper covered wire twist-ties on plastic bags.  
Do not use melamine dishes as they contain a material which will absorb microwave energy. This may cause the dishes to crack or char and will slow down the cooking speed.  
Do not use Centura Tableware. The glaze is not suitable for microwave use. Corelle Livingware closed handle cups should not be used.  
Do not cook in a container with a restricted opening, such as a pop bottle or salad oil bottle, as they may explode if heated in a microwave oven.  
Do not use conventional meat or candy thermometers. There are the thermometers available specifically for microwave cooking. These may be used.
10. Microwave utensils should be used only in accordance with manufacturer's instructions.
11. Do not attempt to deep-fry foods in this oven.
12. Please remember that a microwave oven only heats the liquid in a container rather than the container itself. Therefore, even though the lid of a container is not hot to the touch when removed from the oven, please remember that the food/liquid inside will be releasing the same amount of steam and/or spitting when the lid is removed as in conventional cooking.
13. Always test the temperature of cooked food yourself especially if you are heating or cooking food/liquid for babies. It is advisable never to consume food/liquid straight from the oven but allow it to stand for a few minutes and stir food/liquid to distribute heat evenly.
14. Food containing a mixture of fat and water, e.g. stock, should stand for 30-60 seconds in the oven after it has been turned off. This is to allow the mixture to settle and to prevent bubbling when a spoon is placed in the food/liquid or a stock cube is added.
15. When preparing/cooking food/liquid and remember that there are certain foods, e.g. Christmas puddings, jam and mincemeat, which heat up very quickly. When heating or cooking foods with a high fat or sugar content do not use plastic containers.
16. Cooking utensil may become hot because of heat transferred from the heated food. This is especially true if plastic wrap has been covering the top and handles of the utensil. Potholders may be needed to handle the utensil.
17. To reduce the risk of fire in the oven cavity:
  - (a) Do not overcook food. Carefully attend microwave oven if paper, plastic, or other combustible materials are placed inside the oven to facilitate cooking.
  - (b) Remove wire twist-ties from bags before placing bag in oven.
  - (c) If materials inside the oven should ignite, keep oven door closed, turn the oven off at the wall switch, or shut off power at the fuse or circuit breaker panel.

### FEATURE DIAGRAM



- (1) Door Safety Lock System
- (2) Oven Window
- (3) Roller Ring
- (4) Glass Tray
- (5) Control Panel
- (6) Grill rack

# COMPUTER CONTROL PANEL



## Operation Instruction

### 1. Single Button Heating

Only with a single press of a button, you can start simple cooking, it is very convenient and quick to heat a glass of water etc.

Example: To heat a glass of milk

- a) Put a glass of milk onto the glass turntable, and close the door.
- b) Press the button "Start", the microwave oven will work on P100 power for 1 minutes.
- c) You will hear 5 beeps when cooking is completed.

### 2. Microwave Heating

This function has two options.

#### 1) Quick microwave heating ( P100 power)

Example: to heat food on P100 power for 5 minutes

- a) Set cooking time to "5:00"
- b) Press "Start"

#### 2) Manual-operation microwave heating

Example: To heat food on P70 power for 10 minutes

- a) Press "Micro" button, select "P70" power;
- b) Set time cooking to "10:00"
- c) Press "Start"

The longest microwave heating time is 60 minutes;

Microwave power have 5 settings, and it's P100、 P70、 P50、 P30 and P10 from high to low power.

### 3. Auto weight defrost

Select the food type and weight, it will automatically help you to adjust the power level and time.

Example: defrost 500g frozen meat.

- a) Press the button "Auto defrost" , "dEF" will be displayed .
- b) Rotate the knob "Time setting" to set the weight 500g.
- c) Press "Start"

The weight of food must be less than 2000g.

### 4. Auto-Menu

You only need to select the food type and weight, it will automatically adjust the power and time.

Example: Auto cooking 400g fish

- A) Press "Auto menu" button until "A-5" display
- B) Rotate the knob "Time setting" until "400" display.
- C) Press "Start"



Weight Touching Times	Menu	A-1	A-2	A-3	A-4	A-5	A-6
		Rice	Vegetable	Meat	Noodles	Fish	Bread
1		100	100	200	1	100	100
2		200	200	300	2	200	200
3		300	300	400		300	300
4		400	400	500		400	400
5		500	500	600		500	500
6			600	800		600	600
7				1000		700	
8						800	
9						900	
10						1000	

Remark:Noodle in marked by lot,Each lot is around 100-150g.

#### 5. Memory cooking function:

This function can memorize some useful cooking programmes to avoid resetting time and power operation.

- a) If no memory has been set press "memory" "1" will be displayed, input cooking power and time, press "memory" again, the set program will be memorized. If you press "Start" instead of "memory" button, the oven will start work, and the program also will be memorized.
- b) If there is any memory has been set already, when you press "memory" button, "1" will be displayed, the oven will operate according to the memorized program after you press "Start" button.  
The programme will not be kept when the electricity is off.

#### 6. Grill

This function has two patterns, you may press "Grill" to select such functions: (the longest cooking time is 60 minutes).

Grill power have 2 settings,and it's G-1 and G-2 from high to low power.

Example: Cooking food with G-1 for 20 minutes

- A) Press "Grill" until the LED displayed "G-1".
- B) Set cooking time "20:00"
- C) Press "Start"

When grilling, the food isn't heated by microwave, heat is radiated from the metal heater at the top of the oven. When grill is working, the cooking time has 2 stages, after the 1st half of the cooking, the program will automatically pause and sound 2 beeps, indicating you to open the oven and turn food over, close the door after turn the food over, press "Start" button, the cooking will continue for the 2nd half. If you do not want to turn the food over, the oven will re-start after 1 min pause.

## 7. Combination Cooking

This appliance offers you a choice of two methods of combination cooking.

Combi power have 2 settings,taking the reference of microwave power.It's C-1 and C-2 from high to low power.

Example : Cooking food using C-2 for 30 minutes.

- a) Press "Combi" button to select "C-2"
- b) Set cooking time for 30 minutes
- c) Press "Start "

## 8. Clock

The oven can be used as a clock.

Example: to input current time 16:30

- A) Press "Clock/Timer", the clock symbol will flash in display. Rotate the "Time setting" knob to set "16:00".
- B) Press "Clock/Timer" again, rotate the "Time setting" knob to set "16:30"
- C) Press "Clock/Timer" again, the clock setting is finished, the time start to go on working.

## 9. Timer

The timer function helps the microwave oven begin automatic cooking at set time, and automatically stop operation after finishing cooking. (You should set the clock before using timer function).

Example: the current time of microwave oven is 16:30, to set cooking at 18:15 on P70 power for 10 minutes.

- A) Press "Clock/Timer" and set time to 18:15 (same procedure as setting clock).
- B) Press "Micro" to set P70 power.
- C) Input cooking time 10 minutes by rotating the knob "Time Setting".
- D) Press "Start" .

If you don't set power and cooking time (omit B and C steps), and directly press "Start" button, the microwave oven will work only as a clock, there will be 10 beeps at 18:15, but no other function will run.

## 10. Child-safety lock

Under standby situation, To activate the child safety lock, press "Auto menu" and "Combi" at the same time for 2 seconds. Press "Auto menu" and "Combi" at the same time for 2 seconds again, it will unlock the machine.

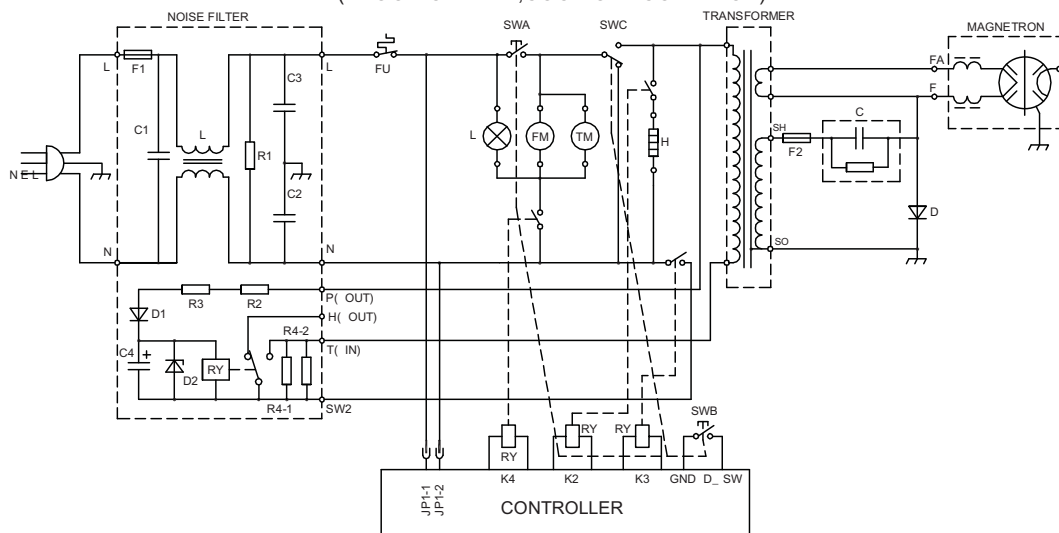
## 11. Pause/Cancel

- a) In the course of operation, pressing "Pause/Cancel" button will stop operation.
- b) If any program was set before pressing start, pressing this button will cancel all the set program.

## CARE OF YOUR MICROWAVE OVEN

1. Turn the oven off and remove the power plug from the wall socket before cleaning.
2. Keep the inside of the oven clean. When food splatters or spilled liquids adhere to oven walls, wipe with a damp cloth. The use of harsh detergent or abrasives is not recommended.
3. The outside oven surface should be cleaned with a damp cloth. To prevent damage to the operating parts inside the oven, water should not be allowed to seep into the ventilation openings.
4. Do not allow the Control Panel to become wet. Clean with a soft, damp cloth, Do not use detergents, abrasives or spray-on cleaners on the control Panel.
5. If steam accumulates inside or around the outside of the oven door, wipe with a soft cloth. This may occur when the microwave oven is operated under high humidity conditions and in no way indicates malfunction of the unit.
6. It is occasionally necessary to remove the glass tray for cleaning. Wash the tray in warm sudsy water or in a dishwasher.
7. The roller ring and oven cavity floor should be cleaned regularly to avoid excessive noise. Simply wipe the bottom surface of the oven with mild detergent, water or window cleaner and dry. The roller ring may be washed in mild sudsy water or dish washer. Cooking vapour collect during repeated use but in no way affect the bottom surface or roller ring wheels.  
When removing the roller ring from cavity floor for cleaning, be sure to replace it in the proper position.
8. Remove odors from your oven by combining a cup of water with the juice and skin of one lemon in a deep microwaveable bowl. Microwave for 5 minutes, wipe thoroughly and dry with a soft cloth.
9. When it becomes necessary to replace the oven light, please consult a dealer to have it replaced.

**SCHEMATIC DIAGRAM**  
( DOOR OPENED, COOK OFF CONDITION)



SWA: PRIMARY INTERLOCK SWITCH

SWB: SECONDARY INTERLOCK SWITCH

SWC: THE MONITOR INTERLOCK SWITCH

\*CIRCUIT SUBJECT TO CHANGE WITHOUT NOTICE

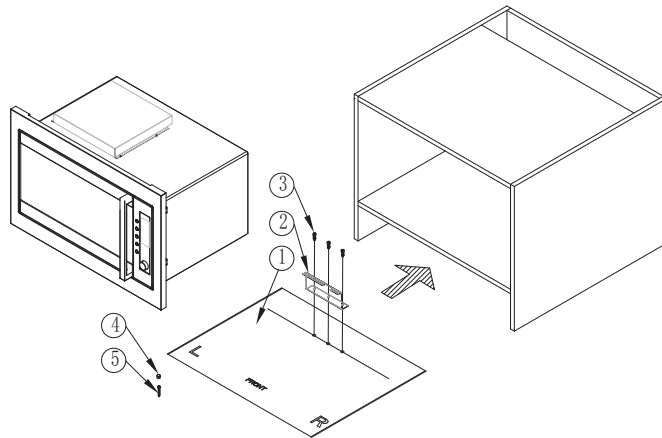
L: LAMP

FM: FAN MOTOR

TM: TURNTABLE MOTOR

H: HEATER

# FULL BUILT-IN MICROWAVE OVEN INSTALLATION MANUAL



## COMPONENTS

1. Plastic buckle setting paper		1PCS
2. orientation		1PCS
3. bolt	Ø4X10	3PCS
4. screw cover		1PCS
5. bolt	Ø4X35	1PCS

## TRIM KIT SPECIFICATIONS

Cavity dimensions

Width 566mm

Height 365mm

Depth 550mm

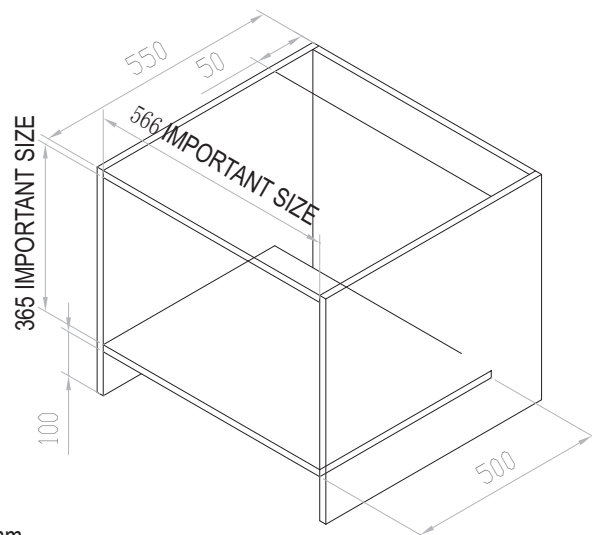
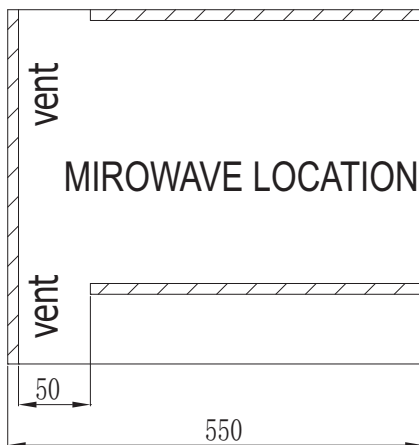
FRAME dimensions

Width 592mm

Height 390mm

Depth 20mm

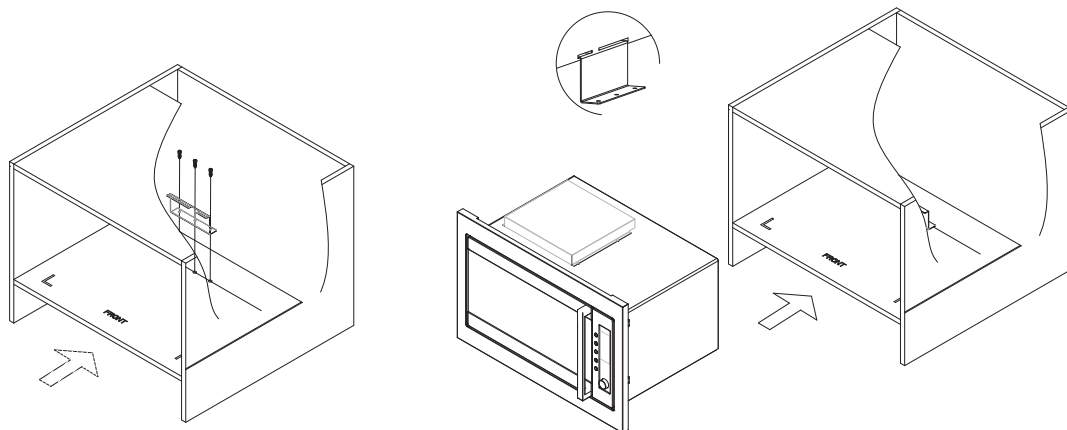
## MICROWAVE OVEN CABINETRY



Cabinet measurement Requirements(illustrated above):

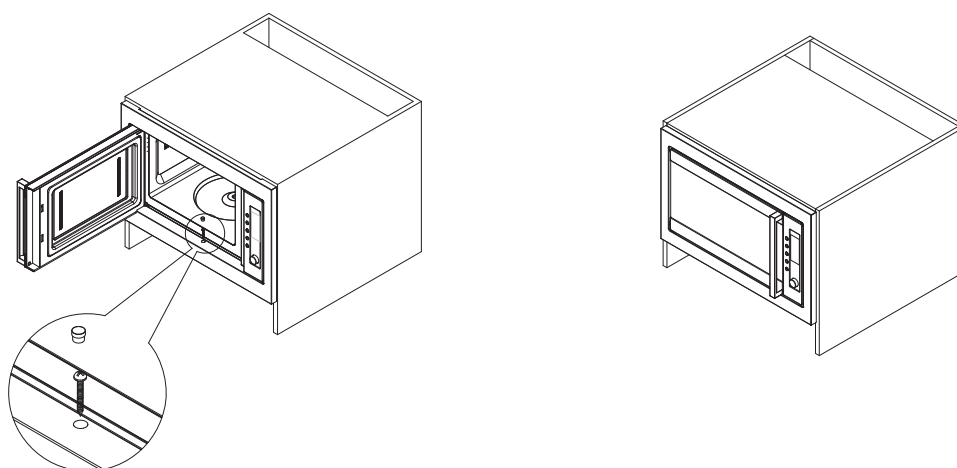
1. Cabinet's inner dimension in transverse direction is 566mm.  
This is the minimum distance from the left batten to right batten. Do not alter.
2. Cabinet's inner dimension in longitudinal direction is 365mm.  
This is the minimum distance from the left batten to right batten. Do not alter.
3. Cabinet's depth should be no less than 550mm.
4. Outside dimension of cabinet should be no less than 596mm,  
as the frame length is 592mm.
5. Cabinet's board less than 15mm or 20mm thick.

# FRAME INSTALLATION STEPS



1. Cabinet must be finished as per cabinet dimensions. Put the plastic buckle setting paper( Component 1) on the bottom board of cabinet cavity. Keep the paper's front edge and the cabinet outside edge in one line. Then put the orientation(Component 2) on the paper and adjust their holes as per the hole position in the drawing. Then fix the bolt (Component 3).

2. Put the microwave oven into the cabinet and keep the microwave oven in a horizontal direction and keep the edge distance of two side as same. Then fix the orientation on then back of microwave oven.



3. Open the microwave oven, fix the bolt (Component 5) and beat it into the cabinet, then install screw cover (Component 4)

## SPECIFICATIONS

Power consumption:	230V~50Hz,1400W
Output:	900W
Grill Heater:	1200W
Operating Frequency:	2,450MHz
Outside Dimensions:	510mm(W) X 382mm(D) X 303mm(H)
Oven Cavity Dimensions:	330mm(W) X 330mm(D) X212mm(H)
Oven Capacity:	25 litres
Uncrated Weight:	Approx. 17.5kg

## BEFORE YOU CALL FOR SERVICE

1. If the oven will not perform at all, the display does not appear or the display disappears:
  - a) Check to ensure that the oven is plugged in securely. If it is not, remove the plug from the outlet, wait 10 seconds and plug it in again securely.
  - b) Check the premises for a blown circuit fuse or a tripped main circuit breaker. If these seem to be operating properly, test the outlet with another appliance.
2. If the microwave power does not function:
  - a) Check to see whether the timer is set.
  - b) Check to make sure that the door is securely closed to engage the safety interlocks. Otherwise, the microwave energy will not flow into the oven.

IF NONE OF THE ABOVE RECTIFIES THE SITUATION, THEN CONTACT THE AUTHORIZED SERVICE AGENT.

### Note:

The appliance is for household use for heating food and beverages using electromagnetic energy and for indoor use only.

## RADIO INTERFERENCE

Microwave oven may cause interference to your radio, TV, or similar equipment. When interference occurs, it may be eliminated or reduced by the following procedures.

- a. Clean the door and sealing surface of the oven.
- b. Place the radio, TV, etc. as far away from your microwave oven as possible.
- c. Use a properly installed antenna for your radio, TV, etc. to get a strong signal reception.



