


iGear
innovation. delight

KEYBEE

WIRELESS KEYBOARD & MOUSE



Combo Pack



Wireless
Keyboard

+



Wireless
Mouse

Model No.: iG-1114



Instruction Manual

Thank you for selecting Keybee. In order to let you further understand the use of this wireless keyboard and mouse set, please read this manual carefully before using it.

Package Contents

- Wireless Keyboard 1 Pcs
- Wireless Mouse 1 Pcs
- Nano Receiver 1 Pcs
- Instruction Manual 1 Pcs
- Alkaline battery 3 Pcs

Product Installing Instructions

- Take out the USB receiver from the rear side of the mouse and plug it to the computer's USB port.
- Remove the battery compartment cover on the rear side of the mouse. Insert 1* AA battery with correct polarity into the battery compartment of the mouse (observe plus/+ and minus/-). When connected, the LED on bottom will light up.
- Remove the battery compartment cover from the bottom of the keyboard. Insert 2*AAA battery with correct polarity into the battery compartment of the keyboard (observe plus/+ and minus/-). When connected, the keyboard will start working.
- While travelling or when not in use, please take out the Nano-receiver from the USB port and insert it into receiver curve of mouse.

Multimedia Function Key

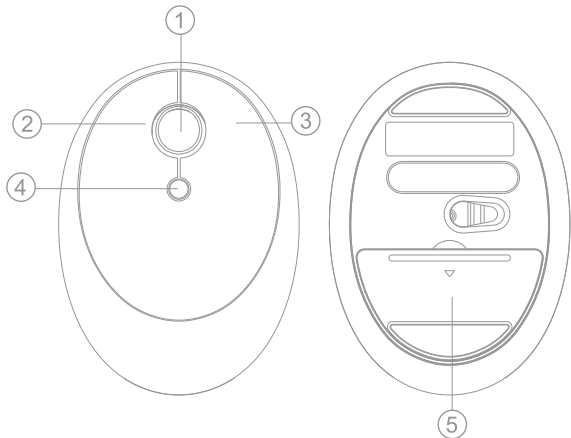


- | | | |
|---------------------------------|-----------------------------|--------------------------|
| Esc
Media Player | F4
Volume Up | F8
Search |
| F12
My Compute | F1
Play/Pause | F5
Volume down |
| F9
My Favourites | F2
Previous Track | F6
Mute |
| F10
Email | F3
Next Track | F7
Homepage |
| F11
Lock the Keyboard | | |

Indicator Light

- 1 NUM lock
- 2 Caps Lock indicator LED
- 3 Low battery indicator/2.4 G connection indicator LED

Scroll Wheel/Middle Button



- ① Scroll Wheel/Middle Button
- ② Left Button ③ Right Button ④ DPI Button
- ⑤ The battery cover has a built-in receiver slot and battery bin

Name of Commodity: KEYBEE
Month and Year of Import: January 2021
Net Weight: 660 gms
Net Quantity: 1 unit

Dimensions: 393mm x 135mm x 41mm
Voltage: Keyboard 3V, Mouse 1.5V
Wattage (Output): 1.87W
Warranty Period: 1 Year
Made In PRC

Imported and Marketed By:
IGear Tech Pvt. Ltd.
204, Sai Corporate Park,
Laxmi Nagar, Off Link Road,
Goregaon West, Mumbai - 400104.

In case of consumer complaints:
Toll free number - 1800 22 8495
Email: sales@igear.asia
(Between 10am to 5pm, Mon- Fri)

IS 13252 (PART 1) : 2010/
IEC 60950 - 1 : 2005



R - 41149969
www.bis.gov.in