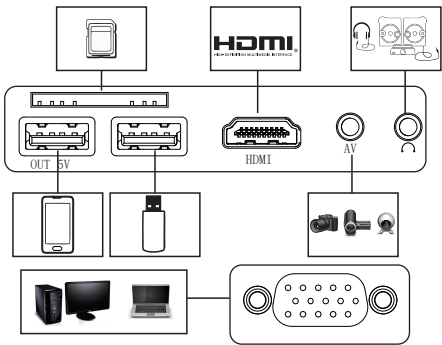


5 Connecting



1. Signal source selection

Press the projector front or the remote control signal source key "S", enter the signal source menu interface. Use the direction key and the confirmation key to select the signal source.

2.HDMI or VGA equipment connecting

- VGA and HDMI interface can be connected with the computer and other with VGA HDMI output interface device.
- Choose the media signal channel : "HDMI" or "PC-RGB"

Add:Different brand laptop output keys are as follows:

Lenovo	Fn+F3	Fujitsu	Fn+F10
Dell	Fn+F8	Haier	Fn+F3
HP	Fn+F4	NEC	Fn+F3
ThinkPad	Fn+F7	Panasonic	Fn+F3
Asus	Fn+F8	Sharp	Fn+F5
Acer	Fn+F5	Hitachi	Fn+F7
Samsung	Fn+F4	TOSHIBA	Fn+F5
Sony	Fn+F7		

The user of windows 7 or over win- dows7.Simply press the **Win** +**P**select "copy" to connect.If the operation above is invalid,Please update computer graphics driver.

3. AV video equipment connecting

- Use the 3in 1 video tieline comes with projector to connect with AV.
- Choose the media signal channel : " AV " .

4. 3.5mm audio equipment connecting

Support 3.5mm earphones and other cable soundequipment.

6 Maintenance and Simple Trouble shooting of Projector

Smart projector is a high-tech product integrating precision optics, electronics and machinery. The improper maintenance of the projector during the daily use will affect its service life and effects. For the maintenance, important attention shall be paid to:

- Dust prevention:** Excessive dust will affect the heat dissipation of the projector due to environmental impact. It is suggested to clean its dust filter for one and half months according to the actual environment.
- Ventilation:** As the projector integrates the sound & photo-electricity, the optical source will produce heat during its operation. Therefore, during the installation and use, it shall be ensured that no objects around will block the air inlet and outlet of the projector as the heat dissipation depends on cold air convection to improve it working stability and service life.
- Lens maintenance:** Lens, as the core component of the projector, is directly related to the picture definition and effect. The excessive dust thereon will affect image quality. The dirty lens shall be wiped with soft cotton cloth for the glass lens surface. Hard cloth or abrasives shall not be used.
- Cleaning:** Excessive dust on the projector surface shall be cleaned in a timely manner, as it will affect the heat dissipation.
- Moisture protection:** The projector is vulnerable to the damp air. Its operating humidity is about 45%-60%. The too damp air will affect its working stability.
- Vibration prevention:** The projector shall be strictly protected from strong impact, extrusion and vibration. Try not to move and knock the projector during its normal operation, which will cause the internal circuit faults.

- The projector shall not be installed on the unstable, shaking and uneven desk.
- The container with liquid shall not be placed on the projector.
- The power shall be switched off or the power cord shall be unplugged when not in use.

WARRANTY CERTIFICATE

E GATE®

The manufacturer warrants this product to be free from defects in material and manufacturer's workmanship for a period of **1 year** from the date of purchase. This warranty is subject to proper installation and usage as it is intended to be and as mentioned on the Egate's website. The manufacturer will not be liable for any special, incidental or consequential damages in any way related to, or arising out of, defects in, or damage to the unit. This is a back to bench warranty, to be brought in at Egate service centre in Ghatlabad.

Name : Tel : Model :
 Purchase Date : Inv.No : S.No :
 Scan to Register
 This Certificate is valid only after mandatory warranty registration within 15 days of purchase

1 YEAR WARRANTY

*For warranty policy please visit company website www.egate-world.com
 EGate: Any matter of legal dispute will be entertained in the jurisdiction of Ghatlabad court only.

For Support : call at 706 517 9993 / 4 / 5 or mail at support@egate.in

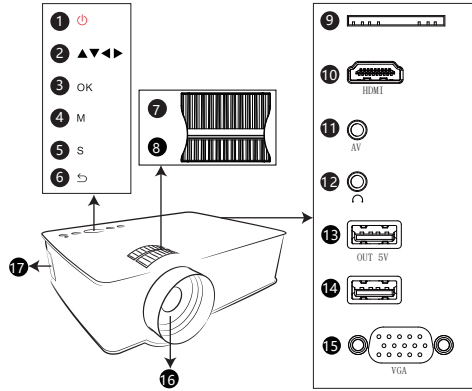


1 Notice

How to use the projector correctly:

- 1 Do not face to lens by eyes, it will hurt your eyes from hard Light of the projector when it's working.
- 2 Do not block the air outlet, to avoid damage from internal electronic device by projector can not cooling.
- 3 Do not use chemicals, Cleaner or water to clean, and also avoid rain, moisture and leucocratic liquid to corrode circuit board.
- 4 Please put the projector and accessories on the place that children can not reach.
- 5 Please make sure the projector working environment is dry and windy.
- 6 Do not place projector in too warm or too cold room, the high temperature or low temperature will Shorten lifespan of the device. The working environment would be 5°C~35°C better.
- 7 Do not put the projector in heating equipment (drying machine, microwave oven)to make it dry.
- 8 Do not press hard or put something heavy on the projector, it will damage projector.
- 9 Do not throw, beat, shake projector, it will damage circuit board in it.
- 10 Do not dismantling projector. Please contact after-sales service if you have any problem.
- 11 Do not fix by yourself. If projector can not working normaly, please consult with after-sales service or depot repair.

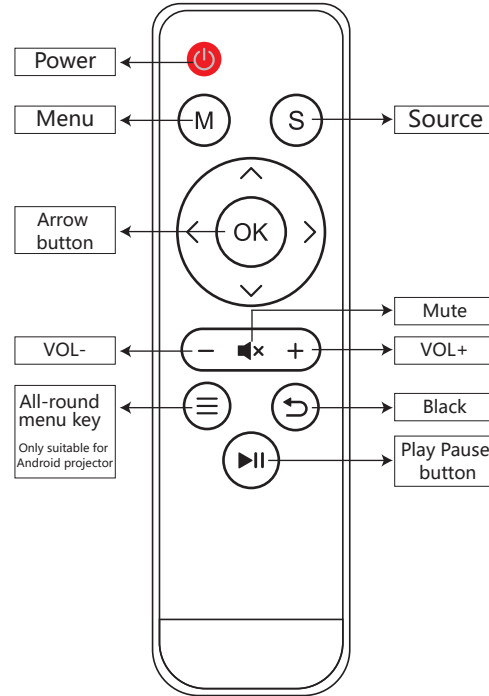
2 Product Overview



Note:
please refer to the product appearance, this figure is for reference only.

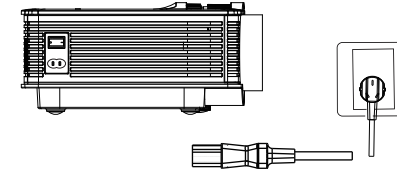
1. Power
2. Arrow Keys
3. Confirm
4. Menu Button
5. Signal Source
6. Back
7. Lens Focussing
8. Keystone Correction
9. Multimedia Card slot
10. HDMI input
11. Audio, Video Input
12. Earphone/3.5mm AUDIO OUT
13. 5V Output
14. Multimedia Input
15. VGA Input
16. Lens
17. Power Input(110-240V)

3 Remote Control



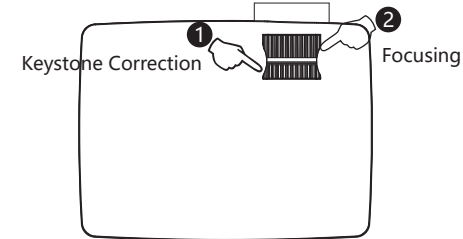
4 Power

- 1: Plug the power cord into a power outlet.
- 2: Press the button "⏻" on the projector or on the remote control.



Keystone Correction

In different angel you put the projector, the projection will Deformation like trapezoid, use the keystone correction to make it correctly.



Note: please refer to the product appearance, this figure is for reference only.

Image focus

Let projector be perpendicular to wall, with the Focusing button to make the picture clear. When focusing, you can broadcasting programs to help you finish focus.

E GATE®

Mail : support@egin.in call : 0 706517 9993 / 4 / 5

Ship To : Service Centre ,

504, SG Alpha Tower II, Sec-9, Vasundhara, Ghaziabad , UP 201012.

E. & O.E. : Any matter or legal dispute will be entertained in the jurisdiction of Ghaziabad Court only.