

**Specification****Power requirements**

- Refer to the main label.

**Power consumption**

- Refer to the main label.

Sound bar dimensions (W x H x D): Approx. 1200.0 mm x 63.0 mm x 135.0 mm

Wireless rear speakers dimensions (W x H x D): Approx. 159.0 mm x 223.0 mm x 142.0 mm

Bus Power Supply (USB): 5 V  500 mA

Amplifier (Total RMS Output power): 810 W RMS

**Open Source Software Notice Information**

To obtain the source code that is contained in this product, under GPL, LGPL, MPL, and other open source licenses that have the obligation to disclose source code, and to access all referred license terms, copyright notices and other relevant documents, please visit <https://opensource.lge.com>.

LG Electronics will also provide open source code to you on CD-ROM for a charge covering the cost of performing such distribution (such as the cost of media, shipping, and handling) upon email request to [opensource@lge.com](mailto:opensource@lge.com).

This offer is valid to anyone in receipt of this information for a period of three years after our last shipment of this product.



## SIMPLE MANUAL

# Wi-Fi

# SOUND BAR

---

S95QR

(SPQ9-SL, SPQ9-SR)

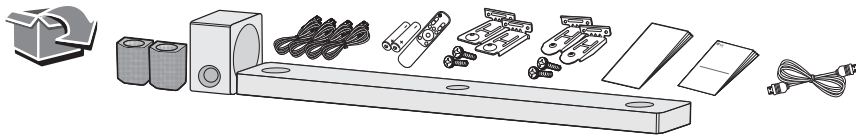


MFL71879523

2201\_Rev01

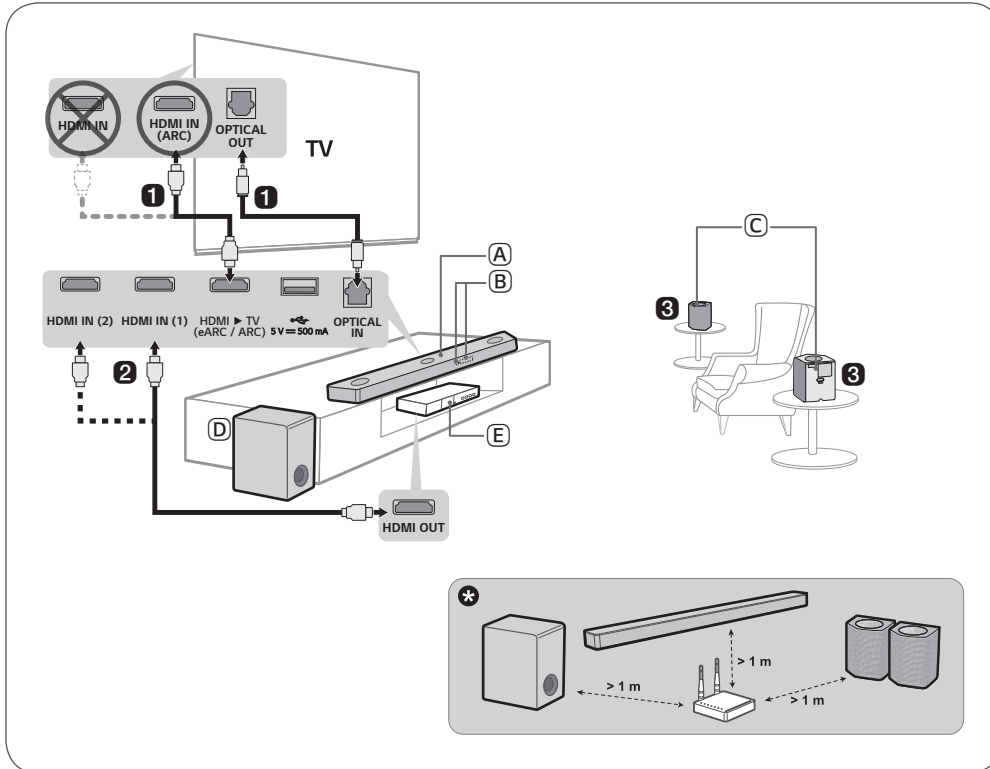
[www.lg.com](http://www.lg.com)

Copyright © 2022 LG Electronics Inc. All Rights Reserved.



## ENGLISH Installing and Using the Product

Please read this manual carefully before operating your set and retain it for future reference.  
To view the instructions of advanced features, visit <http://www.lg.com> or scan QR code and then download Owner's Manual. Some of the content in this manual may differ from your product.



- (A) Sound bar
- (B) Remote Control Receiver / Status Display
- (C) Wireless Rear Speakers
- (D) Wireless Subwoofer - Install it close to the sound bar.
- (E) External Device - (Blu-ray player, game console, etc.)

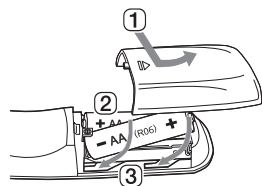
- 1** Connect the sound bar to your TV via an optical cable or an HDMI cable.
- 2** If you are using an external device (ex. Blu-ray player, game console, etc.), connect it to the sound bar via an HDMI cable.
- 3** Connect to power in the following order: wireless subwoofer → wireless rear speakers → sound bar. Then, turn on the sound bar. When the connection is automatically established with the sound bar, the LEDs on the wireless subwoofer and wireless rear speakers will light up green.
- 4** Using the product with your TV
  - 1** Press the **Function** button repeatedly until "OPT/HDMI ARC" appears on the status display.
  - 2** On your TV's settings, set the output speaker to [HDMI ARC], [Optical], or [External Speaker].
  - 3** When the TV is properly connected to the product, "OPT", "ARC", or "E-ARC" will appear on the status display with a sound.
  - ! You can enjoy the sound by connecting LG WOWCAST (Sold separately, WTP3) to the sound bar wirelessly.
- 5** Connecting the product to your smartphone via Wi-Fi
  - 1** Connect your smartphone to Wi-Fi.
  - 2** Install the **LG Sound Bar app** on Google Play or the App Store.
  - 3** Run the **LG Sound Bar app** and follow the instructions.
  - 4** The product will connect to your smartphone and you can control the product with **LG Sound Bar app**.
- 6** Connecting the product to your smartphone via Bluetooth
  - 1** Tap the **Settings** button on your smartphone and select **Bluetooth**. Turn on the **Bluetooth** function. (Off > On)
  - 2** Press the **Bluetooth pair** button. After a moment, you will see "BT READY" on the status display.
  - 3** Find and tap "LG\_Speaker\_S95QR\_XXXX" or the name you registered on the Google Home app.
  - 4** When the product is connected to your smartphone via **Bluetooth**, you can see the status display change from "PAIRED" → "Connected Bluetooth device name" → "BT".



**If you see a red LED on the back of the wireless subwoofer or wireless rear speakers, it means that the sound bar is not connected to the speakers. If this is the case, connect them in the following order.**

- 1** Press the **Power** button on the sound bar to turn it off.
  - 2** Press the **PAIRING** button on the back of the disconnected wireless subwoofer or wireless rear speakers. Check if each LED blinks green.
    - If you still see a red LED on the back of the wireless subwoofer or wireless rear speakers, press and hold the button on the back of the subwoofer or wireless rear speakers again.
  - 3** Press the **Power** button on the sound bar to turn it on.
  - 4** When the connection is established, you will see a green LED light on the back of the wireless subwoofer or wireless rear speakers light up green.
- \* Keep the sound bar, the subwoofer and wireless rear speakers away from the device (ex. wireless router, microwave oven, etc.) over 1 m to prevent wireless interference.
    - Some speakers may not make sound depend on the input source. Select CINEMA sound mode to listen through all speakers.

- Design and specifications are subject to change without notice.
- Google Play is a trademark of Google LLC.



Replacement of Battery

**HDMI™**  
HIGH-DEFINITION MULTIMEDIA INTERFACE