



## **AAVANTE BAR 3200D**

5.1 CHANNEL 350W RMS Dolby Sound Bar  
(with Wired Subwoofer & Wireless Rear Speaker)

# USER MANUAL

Thank you for choosing the boAt Aavante Bar 3200D as the audio source for your home. Discover a new level of immersive, cinematic audio experience at home with the boat Aavante Bar 3200D. With a powerful 350W RMS total output, this sound bar brings every aspect of your entertainment be it a song, show or movie to life. The 5.1 channel sound system provides a balanced surround sound for your movies, music and even video games and you can experience cinematic sound that revolves around you. Stay plugged into the sound with an array of wired connections, USB and Bluetooth® wireless technology. Bring your home to life with the boAt Aavante Bar 3200D. We request that this installation guide be carefully read for proper usage of the device.

*Dolby Audio : It is equipped with Dolby Audio technology for an enthralling, breath-taking auditory experience. Dolby Audio features greatly improved sound, more channels, less compression, and a more realistic audio experience as compared to standard-definition audio formats. At higher bit rates it is virtually indistinguishable from the source audio. Bring your home to life with boAt AAVANTE BAR 3200D.*

## COMPONENTS LIST

- 1N Soundbar
- 2N Satellites
- 2N Screws for wall mount
- 1N User Manual
- 1N Warranty Card
- 1N Power Cable
- 1N Power Adapter
- 1N Subwoofer
- 1N Remote
- 1N DC Cable
- 1N Brand Catalogue,
- 1N Aux Cable
- 2N Connection Cable

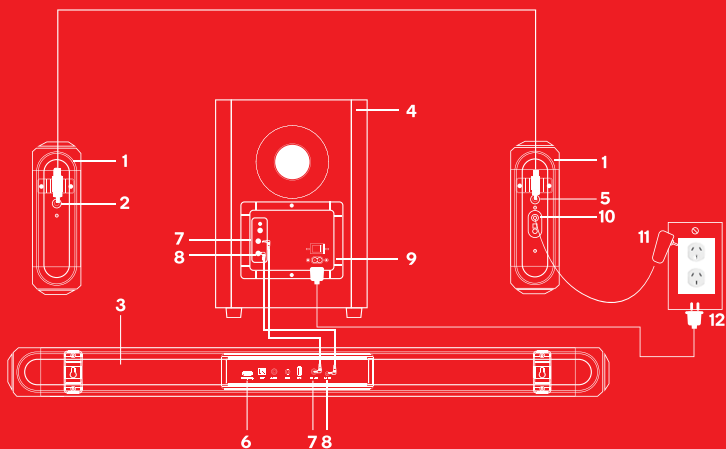
# SAFETY & WARNINGS

## Caution

- Read the safety, installation and operating instructions in this user guide before operating the product.
- Power and speaker wires should be routed so that they are not likely to be walked upon, kicked or pressed by items placed on or against them. Pay special attention to cords from plugs, power receptacles and the point where they exit from the product.
- The product should be situated away from heat sources such as radiators, stoves or other products, including amplifiers that produce heat. Naked flames such as lighted candles should not be placed on this product.
- To reduce the risk of fire or electric shock, do not expose the product to dripping, splashing or excessive moisture such as in a sauna or bathroom. Do not use this product near water, for example, near a bathtub, washbowl, kitchen sink, laundry tub, in a wet basement or near a swimming pool.
- Never insert objects into this product through openings as they may touch dangerous voltage points or short-circuit parts that could result in a fire or electric shock.
- Do not use attachments or accessories not included with this product.
- Do not place this product on an unstable cart, stand, tripod, bracket or table. The product may fall causing serious injury to someone or serious damage to the product. Any mounting of the product should follow the instructions in this user guide.
- Do not attempt to service this product by yourself, as opening or removing covers may expose you to potentially dangerous voltage or other hazards. Refer all servicing and repairs to qualified service personnel.

# OVERVIEW

1. Rear Speakers
2. RS input
3. Soundbar
4. Subwoofer
5. RS output
6. Soundbar ports
7. Subwoofer input (from soundbar)
8. 24V Output (to soundbar)
9. Power input (subwoofer)
10. Power input (rear speaker)
11. Power adaptor (rear speaker)
12. Power cord (subwoofer)



## SOUNDBAR PORTS



HDMI  
(ARC)



OPT



COAX



AUX



USB



SW OUT



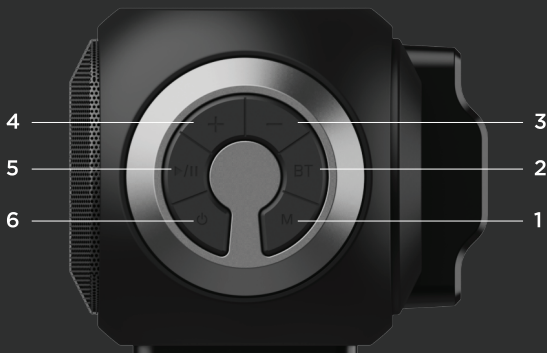
DC IN

1	HDMI(ARC)	Use to connect compatible devices using an HDMI cable (not provided)
2	OPTICAL IN	Use to connect compatible devices using an optical cable (not provided)
3	COAXIAL	Use to connect compatible devices using the coaxial cable (not provided)
4	AUX IN	Use to connect compatible devices using 3.5mm-3.5mm stereo jack cable (provided)
5	USB IN	Use to connect a flash drive for direct MP3 playback (FAT32 format and 64GB max)
6	SW OUT	Use to connect the subwoofer
7	DC IN	Used to connect the DC output jack of subwoofer

## LED DISPLAY

1	RED LED	Standby Mode
2	BT	Bluetooth Mode
3	USB	USB Media Mode
4	AUX	AUX Input Mode
5	OPT	Optical Mode
6	ARC	HDMI(ARC) Mode
7	COA	Coaxial Mode

## SOUNDBAR CONTROL



1 **(M)** :Press to select your preferred input mode ( BT/OPTICAL/COAXIAL/HDMI(ARC)/USB/AUX).

2 **(BT)** :Press to switch BT Pairing Mode,hold for 3S to disconnect,and go to pairing mode.

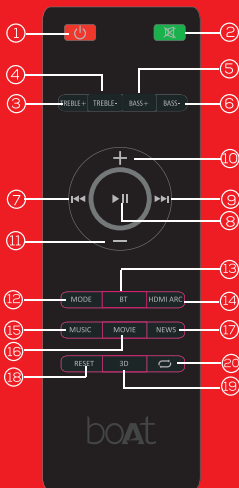
3 **(-)** : Long press to go back to the previous track (Bluetooth/USB mode only) . Short press in steps to decrease volume.

4 **(+)** :Long press to skip to the next track (Bluetooth/USB mode only). Short press in steps to increase volume .

5 **(▶/||)** :Play/Pause (Bluetooth/USB mode only).

6 **(⏻)** :Short press to turn the unit on and off.

# REMOTE CONTROL



	Button	Function
1	⏻	Power on/off
2	🔇	Mute or restore the volume
3	TREBLE +	Increase the Treble
4	TREBLE -	Decrease the Treble
5	BASS +	Increase the Bass
6	BASS -	Decrease the Bass
7	⏮	Previous Track (BT/USB mode only)
8	⏸	Play/Pause
9	⏭	Next Track (BT/USB mode only)
10	+	Increase the volume
11	-	Decrease the volume
12	MODE	Cycle among BT/HDMI(ARC)/OPT/COAX/AUX/USB
13	BT	Switch to Bluetooth mode
14	HDMI	Switch to HDMI(ARC) mode
15	MUSIC	Select Music EQ effect
16	MOVIE	Select Movie EQ effect
17	NEWS	Select NEWS EQ effect
18	RESET	EQ back to EQ 1 - MUSIC, Volume back to Volume Level 20 Treble/Bass back to 0 & Bluetooth back to pairing mode
19	3D	Switch to 3D EQ setting
20	🔄	Switch USB repeat modes

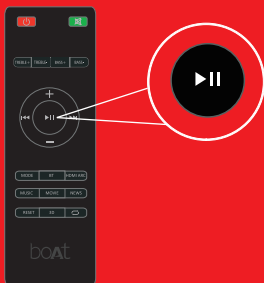
# INSTALLATION

Sound bar will be connected with rear speakers automatically as soon as the unit power on, the user does not need to get them paired manually.

If above automatic connection is unsuccessful, please follow the steps below to connect manually:

1-For soundbar: Long press the "play/pause" button on remote control for 3 seconds to enter the pairing mode; the soundbar will ONLY stay in pairing mode for one minute.

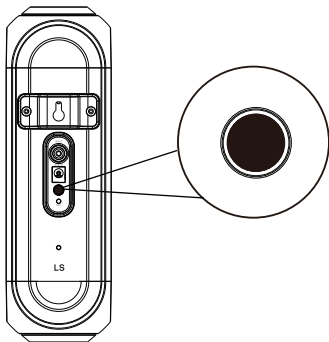
The soundbar display will show "PAIR" for 2 seconds when entering pairing mode.





2-For rear speakers: Long press the pair button on the back of the rear speaker for 3 seconds to enter the pairing state, rear speakers will ONLY stay in pairing mode for one minute.

2



After completing the above 2 steps, the audio will automatically connect within 10 seconds.

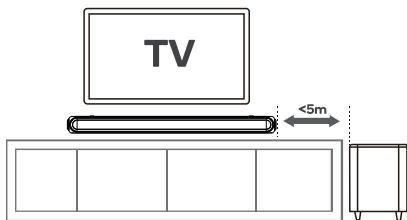
Note: When the soundbar is connected to rear speakers, if you press and hold the pair button on the back of the rear speaker for 3 seconds by mistake, they will automatically reconnect after disconnecting for 1 minute.

Rear Speakers LED indicator status:

- The red light flashes quickly : auto pairing status,valid for 15 minutes after power on.
- The red light flashes slowly: stop pairing
- The solid red light: System connected.
- The red light flashes very slowly : System in sleep mode.

## PLACING THE SOUNDBAR ON AN ENTERTAINMENT UNIT

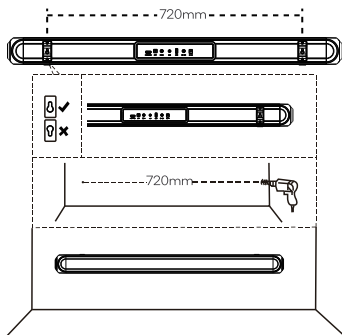
If your TV is placed on an entertainment unit, you can place the soundbar directly in front of the TV stand, centred with the TV screen. If the surface of the table is flat, the soundbar stays firm on its metal feet.



## WALL MOUNTING THE SOUNDBAR

This soundbar can be mounted on your wall. Follow the instructions below:

*Note: If you aren't confident in mounting this product yourself, please seek advice from a qualified trades person.*



1. Mark and drill two parallel holes, 720mm apart on the wall. Secure the supplied anchors and screws into the holes. Ensure the screws are protruding 5mm from the wall.

Note: Anchors are only required when mounting onto a solid wall.

Anchor

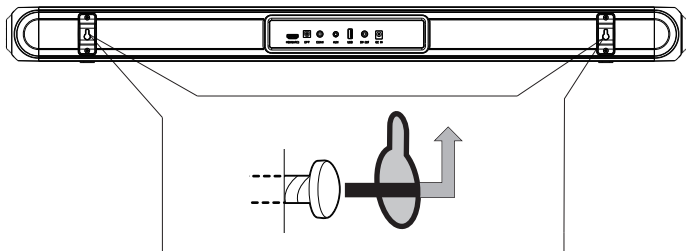


Solid wall (i.e., solid brick, solid concrete, solid wood)

Drywall, plastered wall etc.

2. Hang the soundbar on the fastening screws.

3. Gently push the soundbar in a downward direction to lock and secure in place.



# OPERATION

## Power ON/OFF

Press the Power on/off button on the remote control or soundbar control panel to turn the unit on or switch it off.

## HDMI(ARC)

Connect an HDMI(ARC) compatible device to the HDMI(ARC) port on the soundbar by an HDMI cable. Select HDMI(ARC) mode either by pressing the ARC button on remote control or repeatedly pressing the MODE button on the soundbar control panel until ARC gets displayed on the LED screen.

Ensure HDMI(ARC) is selected as the TV's audio output, then adjust the volume of soundbar by volume up and volume down buttons on the remote control or soundbar control panel.

## AUX

Connect a compatible device using a 3.5mm stereo jack cable. Select AUX mode either by pressing the Mode button on your remote control or soundbar control panel repeatedly until AUX is displayed on the LED screen.

Ensure the connected device is producing audio signal, then adjust the volume of soundbar by pressing the volume up or volume down buttons on the remote control or soundbar control panel.

## Optical

Connect a compatible device to the Optical input on the soundbar by a digital optical cable. Select OPT mode either by pressing the MODE button on your remote control or soundbar control panel repeatedly until OPT is displayed on the LED screen.

Ensure Optical SPDIF is selected as the TV's audio output, then adjust the volume of the soundbar by pressing the volume up and volume down buttons on the remote control or soundbar control panel.

## **Coaxial**

Connect a compatible device to the COAXIAL port on the soundbar using a digital coaxial cable. Select COAX mode either by pressing the MODE button on your remote control or soundbar control panel repeatedly until COA is displayed on the LED screen. Ensure Coaxial is selected as the TV's audio output, then adjust the volume of the soundbar using the volume up and volume down buttons on the remote control or soundbar control panel.

## **Bluetooth**

Press the BT button on the remote control or repeatedly press the MODE button on the soundbar control panel until BT gets displayed on the LED screen. The LED display will flash to indicate that the soundbar is in Bluetooth pairing mode.

Ensure that the device you wish to connect is also in pairing mode and search for "Aavante Bar 3200D" in its device list. The LED display on the soundbar will stop flashing and remain constant when the two devices pair (The soundbar will now automatically re-pair with this device whenever it is within range and has Bluetooth turned on). Once paired, the remote control can be used to play, pause and navigate between tracks on compatible iOS and Android devices.

## **USB Mode**

The soundbar is compatible with USB flash drives up to 64GB in size and can directly play MP3 and WAV audio files. Simply insert a compatible drive into the USB port on the back of the soundbar and the soundbar will automatically switch to USB mode and play the first compatible track. The media controls on the remote control can be used to play, pause and navigate between tracks on the flash drive and the LED display will indicate the current track time.

USB repeat mode (also accessed via the remote control) enables single track repeat (ONE) and all track repeat (ALL). The media player also has a memory function that will recall and continue from the last played point when a USB flash drive that has previously been used with the soundbar is reinserted.

Note:

Adjust the TV to PCM audio output format, when your TV is playing non-Dolby video; otherwise, adjust it back to original audio format, when playing Dolby Digital video.

## Equalizer Modes

The soundbar has 3 equalizer pre-sets, tailored to complement various styles of music.

- Press the MUSIC button on the remote to choose Music EQ
- Press the MUSIC button on the remote to choose Movie EQ
- Press the NEWS button on the remote to choose NEWS EQ

## 3D Surround Sound

The soundbar also offers 3D EQ mode for an immersive surround sound. Press the 3D button on the remote controller to activate 3D EQ mode.

## TECHNICAL SPECIFICATIONS

Model	boAt AAVANTE BAR 3200D
Technology	USB, Optical, Coaxial, HDMI(ARC), AUX, Bluetooth v5.0
Drivers	Front direction 2.25"/25W HiFi speaker*4 +Mid direction 2.25"/25W*2+rear satellite speaker 2.25"/25W*4+ 6.5" wired subwoofer 100W*1
Output Power	350W R.M.S.
Frequency Response	45Hz-20KHz
Signal-to-Noise Ratio	≥ 70dB
Impedance	4Ω*10+4Ω
BT Transmission Range	Up to 10m
Bluetooth	V5.0
Dimensions	Soundbar: 940*75*80mm Subwoofer: 240x240x370mm Satellite: 239*75*80mm