



ZEBRONICS  
ALWAYS AHEAD

4.1 Speaker  
ZEB **UDAAN 4**



User Manual

[www.zebronics.com](http://www.zebronics.com)



Thank you for purchasing the **ZEB-UDAAN 4 - 4.1 Speaker**. Please read the user manual carefully before usage & save it for future reference.

### **Note:**

- Avoid the usage of this speaker at the high temperature and high humidity environment.
- Avoid the self-disassembly of the product as it results in the failure of Warranty.

### **Features**

- 4.1 channel speaker
- Wireless BT/USB/AUX/FM
- LED display
- Synchronized multi color dancing LED with on/off switch
- Remote control
- Volume, Bass & Treble adjustment
- Wall mountable

### **Specifications**

Output power (RMS)

Subwoofer : 20W

Satellite : 10W x 4

Total : 60W

Driver size

Subwoofer : 10.16 cm

Satellite : 7.62 cm x 4

Impedance

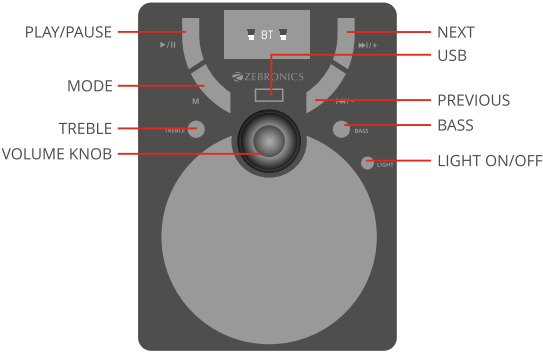
Subwoofer : 4Ω

Satellite	: 4Ω
Frequency response	: 40Hz - 20kHz
S/N Ratio	: ≥ 80dB
Separation	: ≥ 45dB
File format support (USB)	: Mp3
Line input	: 2ch RCA
Max. supported USB memory size	: 32GB
FM frequency range	: 87.5 MHz-108 MHz
BT name	: Zebronics
BT version	: 5.1
Product dimension (W x D x H)	
Subwoofer	: 150 x 275 x 210 mm
Satellite	: 96 x 95 x 135 mm
Net. weight	
Subwoofer	: 2.75 kg
Satellites	: 1.2 kg
Total	: 3.96 kg

### **Package Content**

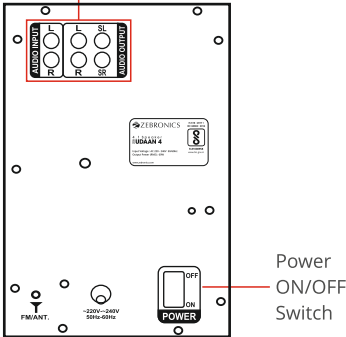
Subwoofer	: 1 U
Satellite	: 4 U
Remote	: 1 U
Input Cable	: 1 U
QR Code Guide	: 1 U

# Control Panel Description

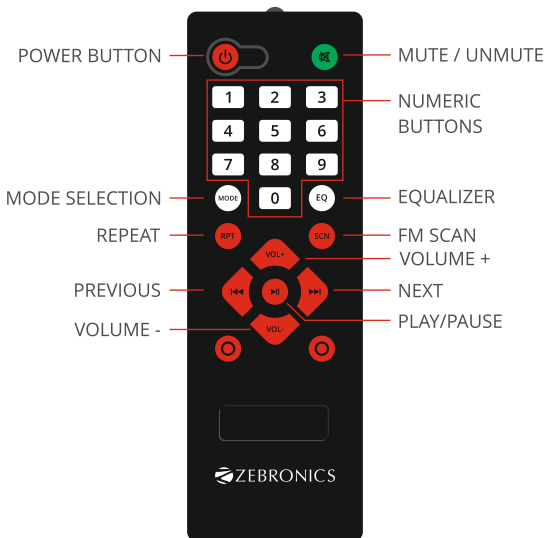


# Back Panel Description

## Audio Input and Output Ports



## Remote Control



**Power :** Standby ON/OFF

**Numeric Pad (0-9) :** To select direct tracks from USB and to select two digits and above, by consecutively pressing

**Vol+ :** To increase the volume

**Prev :** To select the previous songs in BT/USB or channels in FM mode

**Vol- :** To decrease the volume

**RPT :** To Switch between REP ALLtracks or REP 1 track

**Mode :** Mode Selection(BT/AUX/USB/FM)

**EQ :** Equalizer

**Play/Pause :** To Play / Pause for current song & FM Scan (Press & Hold)

**Next :** To select the next songs in BT/USB or channels in FM mode

**Mute :** To Mute / Unmute for currently playing song

## **General Instructions**

### **BT Mode:**

Switch the speaker to BT mode, Scan for nearby BT devices in your device. Tap on **"ZEBRONICS"** to connect.

### **USB Mode:**

Insert the USB flash drive to the speaker. The speaker will detect the USB and the audio files from flash drive will be played automatically. (This mode isn't selectable on the speaker or remote control unless a USB flash drive is connected).

Ensure that your USB flash drive contains MP3/WAV/WMA files (other file types not supported).

### **FM Radio:**

Switch the speaker to FM mode. In FM mode, press & hold the **"Play / Pause"** button in the remote to scan for the available FM channels. Once the scanning is done, the scanned channels will begin to play. The next button or previous button in the remote can be used to change the FM channels.

### **AUX-IN:**

The speaker can be connected to an audio device using an RCA to 3.5mm cable. Connect the one end of the cable to the speaker and the other end to an audio source.

The songs from the audio source can be heard through the speaker.

**ISO 9001:2015 Certified Company**  
**[www.zebronics.com](http://www.zebronics.com)**

