



User Manual  
www.zebronics.com

ISO 9001:2015 Certified Company  
www.zebronics.com

SAFETY PRECAUTIONS



**WARNING:**  
To prevent fire or electric shock do not expose the unit to rain or moisture.  
\*Note: This product is for indoor use only.

The lightning flash with arrowhead symbol, within an equilateral triangle, is intended to alert the user of the presence of unisolated "dangerous voltage" within the product's enclosure that may be of sufficient magnitude to constitute a risk of electric shock.

The exclamation point within an equilateral triangle is intended to alert the user of the presence of important operating and maintenance (servicing) instructions in the manual accompanying the product.

IMPORTANT SAFETY INSTRUCTIONS

- 1) Read these instructions before using the product.
  - 2) Read all the warnings carefully.
  - 3) Follow all instructions carefully.
  - 4) Do not use this unit near water.
  - 5) Clean only with dry cloth.
  - 6) Do not block any ventilation openings. Install in accordance with the manufacturer's instructions.
  - 7) Do not install the speaker system near any heat sources such as radiators, heat registers, stoves, or other unit (including amplifiers) that produce heat.
  - 8) Protect the power cord from being walked on or pinched particularly at plug points and the point where they exit from the unit.
  - 9) Only use attachments/accessories specified by the manufacturer.
  - 10) Use only with the cart, stand, tripod, bracket, or table specified by the manufacturer or sold with the unit. When a cart is used, be cautious while moving the cart/unit combination to avoid injury from tip-over.
- 1) Unplug this unit during lightning storms or when unused for long period of time.  
Refer all servicing to qualified service personnel. Servicing is required when the unit has been damaged in any way, such as power-supply cord or plug is damaged, liquid has been spilled or objects have fallen into the unit, the unit has been exposed in rain or moisture, does not operate normally, or has been dropped.

1

Package content:

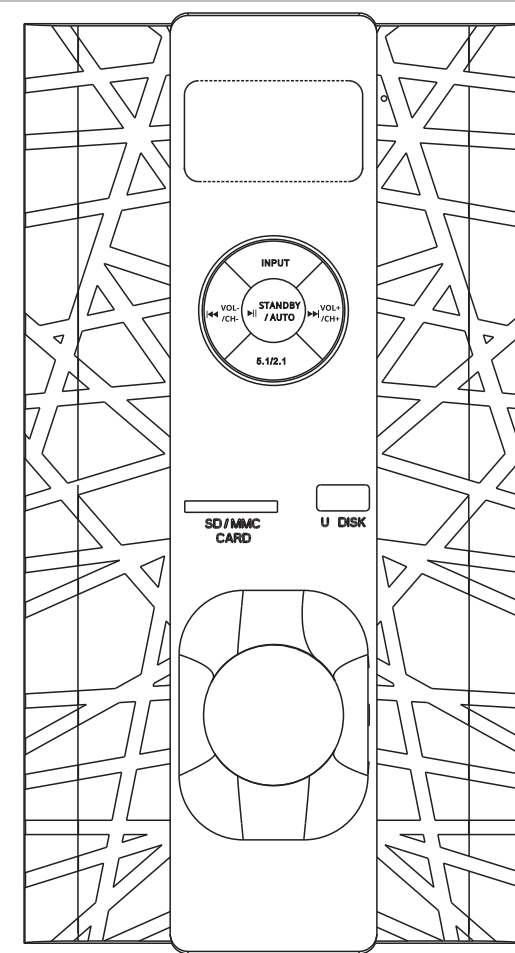
- Subwoofer 1 unit
- Satellite 5 units
- Remote control 1 unit
- Input cable 1 unit
- Antenna cable 1 unit
- Wall mount 5 units
- Screws 10 units
- Stereo to RCA adapter 1 unit
- User Manual 1 unit

How to use the BT:

1. select the audio input to BT mode
2. search BT device with name "ZEB-BT6590RUCF"
3. connect the BT
4. if your BT device below 5.0 version, input password "0000" when connecting.

2

Front Panel



3

Front panel top description

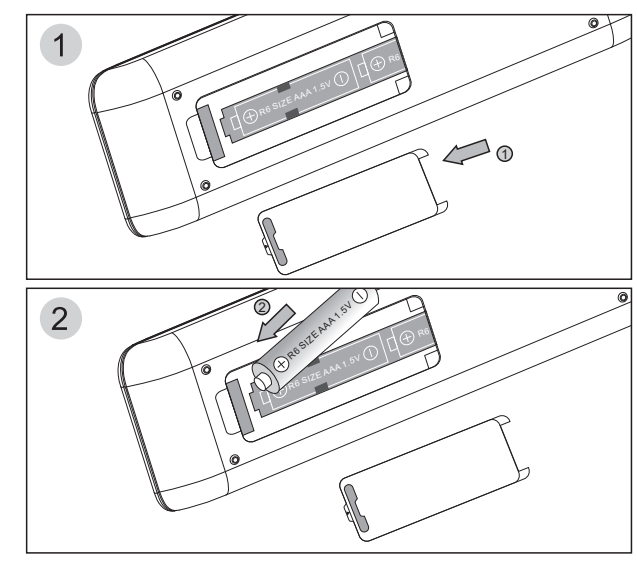
- INPUT-----Input function key.
- 5.1/2.1-----5.1/2.1 function key.
- STANDBY-----Stand by function by pressing it 3 secs in AUX/USB/SD/FM mode, Play/Pause in USB/SD mode. Automatic FM radio search by pressing 3 secs.
- VOL- ----- Turn down the volume; Previous track in USB/SD/BT mode; Previous saved channel in FM mode.
- ◀/CH- ----- Turn up the volume; Next track in USB/SD/BT mode; Next saved channel in FM mode.
- ▶/CH+ ----- Turn up the volume; Next track in USB/SD/BT mode; Next saved channel in FM mode.
- SD/MMC CARD---SD card slot.
- U DISK----- USB slot.

4

AC Power

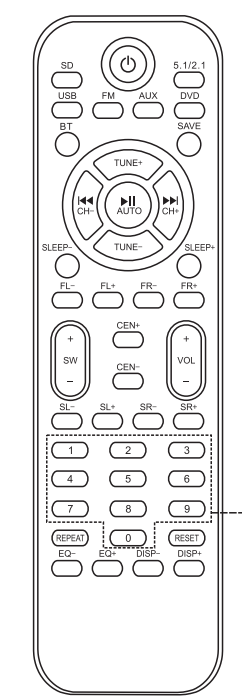
- IMPORTANT NOTES**
- Make sure that the power supply is proper and never handle the power cord or its plug with wet hands when plugging into, or unplugging from an plug-point.
  - Ensure that the main power switch is in the "OFF" position before connection the AC power cord to the power supply to avoid damage to the unit.
  - A damaged power cord can easily cause an electric shock or fire; Never use a power cord after it has been damaged.

Battery Installation



5

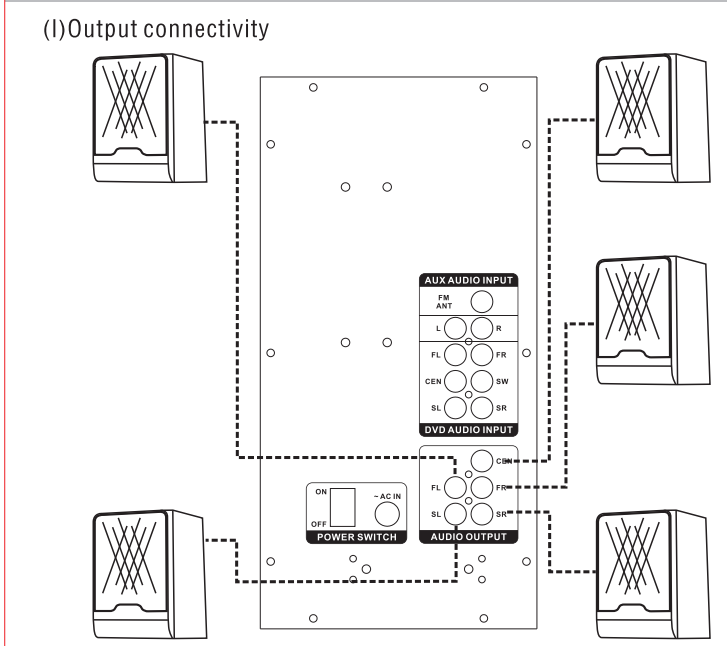
Remote control description



- Power switch button (standby) switch On or off.
- SD-----SD Input.
- USB-----USB Disk.
- FM-----FM Radio.
- AUX-----AUX input.
- DVD-----AC-3 input for 5.1 mode audio source.
- BT-----BT Input.
- SAVE-----Save FM Channel.
- 5.1/2.1-----5.1/2.1 mode.
- TUNER-----Previous/Next Channel Keep Pressing to search the channel.
- ▶/----- Play & pause.
- AUTO----- Press and hold for 2-3 sec to begin fm auto scan.
- ◀-----Previous track when USB/SD/BT Input.
- CH----- Previous channel when FM.
- ▶----- Next track when USB/SD/BT Input.
- CH----- Next channel when FM.
- VOL-/----- Master Volume.
- SW-/----- To calibrate the woofer sound level.
- FL-/----- To calibrate the front left speaker level.
- FR-/----- To calibrate the front right speaker level.
- GEN-/----- To calibrate the center level.
- SL-/----- To calibrate the surround left levels.
- SR-/----- To calibrate the surround right sound levels.
- SLEEP-/----- Press any key to choose the track.
- REPEAT----- Select repeat mode.
- RESET----- When the volume is at the maximum, press "RESET" button at the status while power on.
- DIS-/----- Display level adjustment.
- EQ----- Equalizer mode selection.

6

Woofer rear panel description

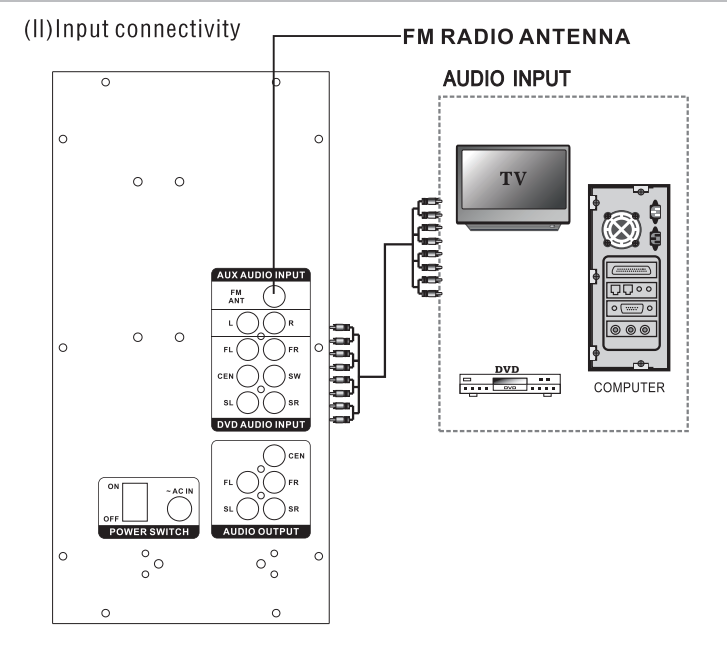


**SPEAKER TERMINALS**  
Connect front speakers, center speaker, surround speakers to 5.1 speaker output terminals.  
-The front speaker's cords to the FRONT SPEAKERS terminals  
-The center speaker's cords to the CENTER SPEAKERS terminals  
-The surround speaker's cords to the SURROUND SPEAKER terminals

**NOTE:**  
\* Do not leave objects generating magnetism near the speakers.

7

Woofer rear panel description



**NOTE:**  
Insert the plugs fully into the jacks. Loose connections may produce noise interference.

8

UNIT OPERATION

1. First plug the cable of all the satellite into the output jack on the rear panel of the woofer, one end of the audio cord into the input jack on the rear panel, the other end into the output jack of the computer or any external audio source, the power cord into the power plug socket. Then switch on the unit, the LED will be in the blinking state in the front panel, when the standby button is being pressed the unit lights up.
2. Pressing the VOL+ and VOL- keys will enable the volume levels to be increased & decreased.
3. When the PRO button is pressed, it plays back the track from stereo to 5.1 channel in all modes which is indicated through the blue led for the selected mode.
4. When in FM mode, press and hold PLAY/PAUSE button in the front panel of the woofer or the AUTO button in the remote for 2-3 seconds the automatic scanning will be proceeded and once after scanning it will playback the first channel of the full scan done.
5. When inserted a USB or SD/MMC card, it will play from the device last inserted, the input mode will be changed to SD or USB on the display and starts playing from the beginning or auto resumed from the track of the last time playback.
6. When USB or SD/MMC card is working, press the PLAY/PAUSE button to pause the music, press the PLAY/PAUSE button again to resume music.

9

UNIT OPERATION

7. When USB or SD/MMC card is playing, press the MODE button to cycle through the LINE IN, USB, FM, BT mode.
8. When USB or SD/MMC card is working, press the PREVIOUS and NEXT button to choose the previous or the next audio track.
9. After stop using the unit. Use the stand by button to turn off the unit, switch off the power switch, unplug the power cord.

Specification:

Output power (RMS)	
Subwoofer	: 35 Watts
Satellites	: 6 Watts x 5
Total	: 65 watts
Driver size	
Subwoofer	: 10cm
Satellites	: 7cm x 5
Impedance	
Subwoofer	: 4Ω
Satellite	: 4Ω
Frequency response	: 40Hz - 20kHz
S/N Ratio	: >75dB
Separation	: >50dB
File format support(USB/SD)	: MP3/WMA
Line input	: 2ch RCA, 5.1
Max supported USB/SD memory size	: 32GB
FM frequency scan range	: 87.5MHz-108MHz
BT name	: ZEB-BT6590RUCF
BT version	: 5.0 + EDR
Product dimension (W x D x H)	
Subwoofer	: 140 X 280 X 275 mm
Satellite	: 90 x 80 x 132 mm
Net weight	
Subwoofer	: 2.96kg
Satellite	: 310g x 5
Total	: 4.51kg

10

恩科电子(深圳)有限公司 ENKOR ELECTRONICS(Shen Zhen) LTD.		80g书写A5纸6张	
设计绘图	张敏	业务确认	2020.10.06
电子确认		审核	
客户品牌	zebrionc	内部型号	H3815U.S.F.BT
零件名称	说明书	材料	80g
单位	MM	比例	
料号	B51-H3815-205-G	部门	研发部
			PMC
			采购部
			品管部
			木箱部
			生产部

装订本  
双面单色印刷  
3-1

恩科电子(深圳)有限公司 ENKOR ELECTRONICS(Shen Zhen) LTD.		80g书写A5纸6张	
设计绘图	张敏	业务确认	2020.10.06
电子确认		审核	
客户品牌	zebrionc	内部型号	H3815U.S.F.BT
零件名称	说明书	材料	80g
单位	MM	比例	
料号	B51-H3815-205-G	部门	研发部
			PMC
			采购部
			品管部
			木箱部
			生产部

装订本  
双面单色印刷  
3-2

恩科电子(深圳)有限公司 ENKOR ELECTRONICS(Shen Zhen) LTD.		80g书写A5纸6张	
设计绘图	张敏	业务确认	2020.10.06
电子确认		审核	
客户品牌	zebrionc	内部型号	H3815U.S.F.BT
零件名称	说明书	材料	80g
单位	MM	比例	
料号	B51-H3815-205-G	部门	研发部
			PMC
			采购部
			品管部
			木箱部
			生产部

装订本  
双面单色印刷  
3-3