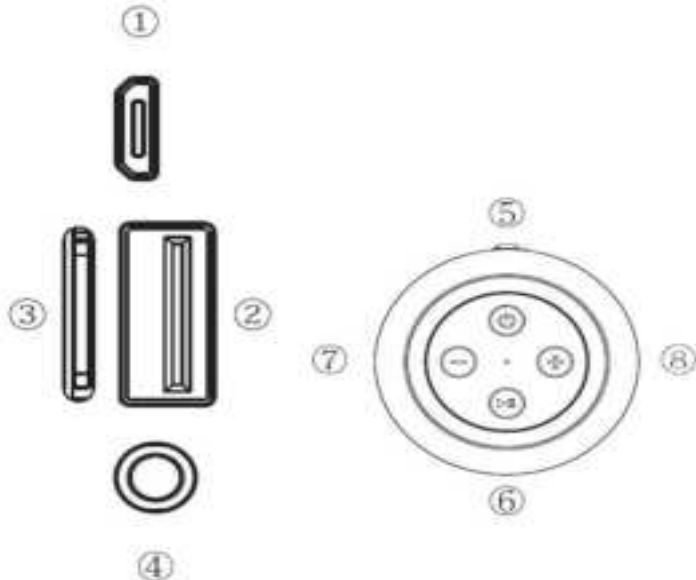




Quinto Bluetooth Speaker - User Manual



Keys & Slots:



- 1 - Micro USB charging port
- 2 - USB Drive Slot (It can decode and play MP3/WAV format audio when USB drive is inserted)
- 3 - TF Card Slot (It can decode and play MP3/WAV format audio when Micro SD/TF card is inserted)
- 4 - 3.5mm Aux Port (Use mini 3.5 head input through other devices like smartphone)
- 5 - Power On/Off
- 6 - Call Answer/Call Hang-up/Mode Change
- 7 - "-" Volume Down/Previous Song
- 8 - "+" Volume Up/Next Song

Note: pTron Quinto is set at 60% default volume. Please adjust the volume through the key panel on the speaker. Music playback time may vary depending on the content type and music volume level.

Power On & Pairing:

1. Power On the speaker by Pressing the Power button until White LED blinks in keys.
2. Open Bluetooth function on your Device and Search for the Available Bluetooth devices.
3. Click on ' pTron BT Speaker' to connect.

Power Off: Press Power key for 3 seconds to Turn Off the speaker.

Note: If there is no device paired within 2 minutes, speaker will turn off automatically.

Bluetooth Connectivity - Automatic:

Just Turn On the Speaker. It will Automatically Connect to the Last Connected Device.

Note: The last connected device must be power on and Bluetooth function must be active.

Modes: There are 4 modes.

1. Bluetooth mode
2. Aux 3.5mm
3. Play by TF card
4. Play by USB drive

Note: TF card mode/3.5mm Aux mode/USB drive mode will get active when the corresponding device is inserted into the corresponding port/slot properly.

Call & Music Functions:

Answer/Hangup a Phone Call: Press MFB Once

Reject a Phone Call: Press MFB for 2 seconds

Music Play/Pause: Press MFB once

Next Song: Press "+" button once

Previous Song: Press "-" button once

Volume Up: Long Press "+" key

Volume Down: Long Press "-" key

Re-dial: Press MFB Twice in Standby mode

Modes: Press power key once for Bluetooth mode & radio mode

Note:

- 1) MFB stands for Multi-function Button (Play/Pause button is MFB).
- 2) In radio mode, connect the AUX charging cable to the speaker to get better radio signal.

Pair 2 Quinto Speakers Together (TWS Function):

Step 1: Power on both the speakers by pressing the Power button. Button lights will glow & you will hear a voice prompt "pTron BT Speaker is Power ON".

Now, the button light will start blinking and you will hear a voice prompt "Bluetooth Mode".

Step 2: Now, press the "Play/Pause" button for 3 seconds on either of the speaker until hearing a voice prompt "Connected".

Step 3: After getting connected, the blinking of the button lights will stop. Now, speakers are in TWS function Mode.

Step 4: Now, you can pair your smartphone with Quinto Bluetooth speaker. Turn on the Bluetooth function on your phone and search for the available devices. Click on 'pTron BT Speaker' device name to connect. After successful pairing, you can use 2 speakers as 1 (TWS) and have double fun.

Charging the Speaker:

1. Connect the Micro USB cable to speaker.
2. Connect the USB end of the Charging cable to a Power Source such as USB Charger or other Charging Devices of 5V Output.
3. Red LED light will be Steady during Charge.

Troubleshooting Scenario: Connectivity Issue

1. Turn OFF the Speaker and charge 100%.
2. Unpair with the connected Bluetooth device.
3. Restart the Bluetooth device.
4. After 100% charging switch ON the speaker and pair it with the Bluetooth device again.

Warranty

Manufacturing defects in materials and workmanship of the product ONLY. This warranty applies when the product is used under normal conditions and the purpose for which the product was designed.

Disclaimer:

The colors and specifications shown/mentioned in the user manual may differ from the actual product. The images shown are for representation purposes only. Other product logos and company names mentioned herein may be trademarks or trade names of their respective owners.