

PHILIPS

4.1 Speakers

SPA8140B



User manual

Register your product and get support at
www.philips.com/welcome

General information

Safety instructions

Please read carefully the safety mark on the back side



This mark is intended to alert the user from the non isolated dangerous voltage within the product that may be of sufficient magnitude to constitute a risk of electric shock to persons.



This mark is intended to alert the user for important operating and servicing instruction.

Warnings

- Avoid sustained periods on high-volume use, and do not turn the volume to maximum level while using high output signal, such as Mobile Phone or DVD, etc., as this will cause distortion and may damage the loudspeaker cones.
- Please switch off the system from the wall socket, when not in use.
- Do not open the cover or back panel to avoid electrical shock or any other accidents. No user-serviceable parts are inside.
- Only for indoor use.
- Plug the system to the AC outlet with the right voltage marked on the back panel of the Subwoofer.
- The MAINS plug is used as the disconnect device, the disconnect device shall remain readily operable.

Accessories

Item	3.5mm stereo cable to 2RCA	Remote control	User manual
Quantity	1	1	1

- The product shall not be exposed to dripping or splashing and that no objects filled with liquids, such as vases, shall be placed on the product.
- Batteries shall not be exposed to excessive heat such as sunshine, fire or the like.
- Attention should be drawn to the environmental aspects of battery disposal.

Care and safety information

Avoid high temperatures, moisture, water and dust

- Apparatus should not be exposed to dripping or splashing of liquid.
- Do not place any source of danger on the Subwoofer, and satellite (e.g. liquid filled objects lighted candles).
- Do not install near heat sources.

Do not block any ventilation opening

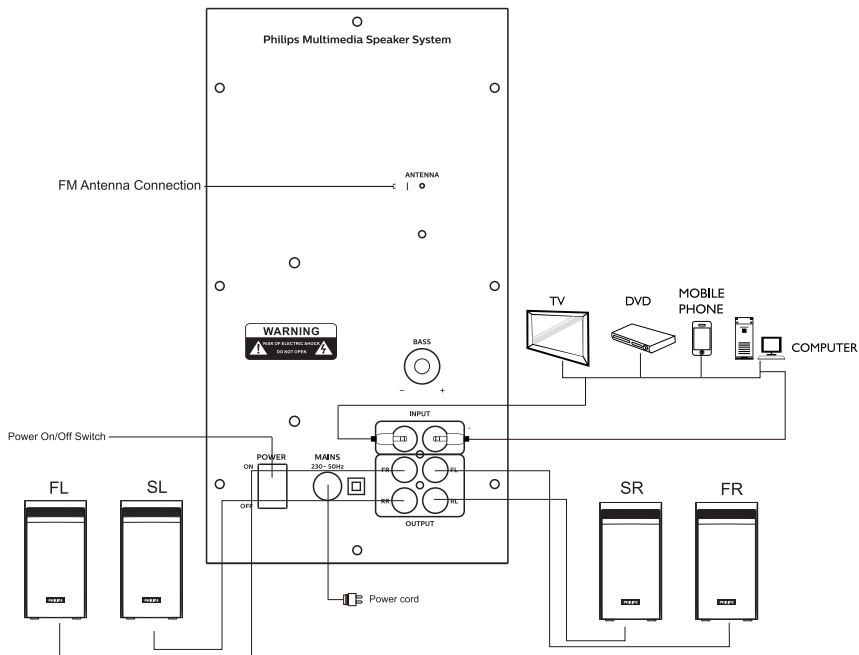
- Place the apparatus in a location with adequate ventilation to prevent internal heat build up. Allow at least 100cm (4 inches) of free space all around the apparatus for adequate ventilation.
- At high volume the back cover of Subwoofer becomes hot. Do not touch it.

Care of the cabinet

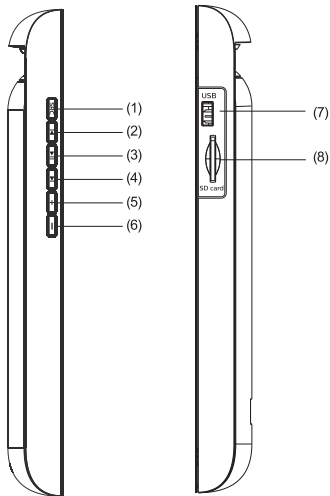
- Use a soft cloth slightly moistened to clean the cabinet. Do not use a solution containing alcohol, spirits, ammonia or abrasives.

Connections

Subwoofer back panel



Side-panel Operation



1. SRC

2. ◀

3. ▶||

4. ▶

5. +

6. -

7. USB Slot

8. SD Slot

1. SRC:

Press to turn on speaker, long press into stand-by. Change the input mode—aud for Audio in, bt for Bluetooth, ud for USB*, sd for SD*, 87.5 for FM by short press

2. ◀ :

Play previous song in USB*, SD* & BT mode or go to previous Preset station in FM mode

3. ▶|| :

Long-press to auto store(scan) stations in FM mode and short-press can play or pause a played song alternately in USB*, SD* and BT mode.

4. ▶ :

Play next song in USB*, SD* & BT mode or go to next Preset station in FM mode

5. +:

Long-press volume up and short press increase each step by 0.1MHz in FM mode

6. -:

Long-press volume down and short press decrease each step by 0.1MHz in FM mode

7. USB Slot:

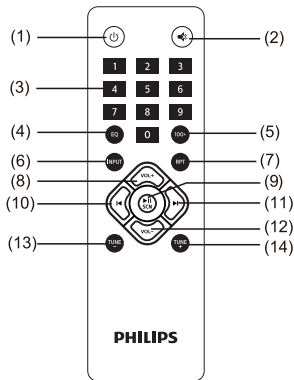
Press the SRC key to go to USB* MODE.

8. SD Slot:

Press the SRC key to go to SD* MODE.

* AVAILABLE IF CONNECTED

Remote controls

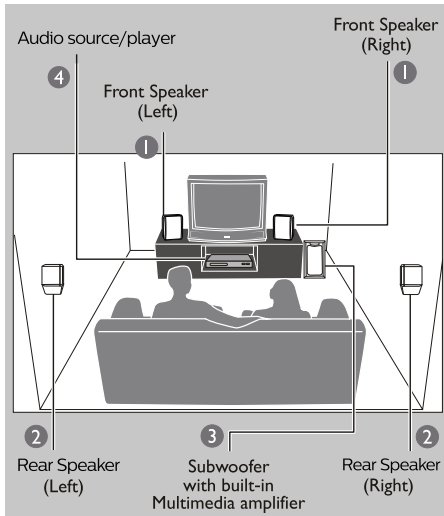


- | | |
|----------|--------------|
| 1. ST-BY | 8.VOL+ |
| 2.MUTE | 9.PLAY/PAUSE |
| 3.0-9 | 10.PREVIOUS |
| 4.EQ | 11.NEXT |
| 5.100+ | 12.VOL- |
| 6.INPUT | 13.TUNE- |
| 7.RPT | 14.TUNE+ |

* AVAILABLE IF CONNECTED

1. ----- Turn on/Stand-by the speaker.
2. MUTE ----- Press "MUTE " to activate or deactivate mute, display blinks, when at MUTE mode.
3. 0-9 ----- Numeric keys, with the help of these keys you select song or track in USB, and in FM, you can key in station frequency, i.e. for 92.7 key in 92.7.
4. EQ-----To set equalizer mode ROCK for ROCK,JAZZ for JAZZ,POP for POP,PASS for NORMAL,CLAS for CLASSIC,COUN for COUNTRY (works only in USB/SD mode)
5. 100+----- To select and play the music track present after the 100 tracks.
6. INPUT ----- AUD for Audio in, bt for Bluetooth, Ud for USB*, Sd for SD*, 87.5 for FM.
7. RPT-----To put system into REPEAT mode,When working only in USB*/SD* mode.
8. VOL+ ----- Volume up.
9. ----- Long-press to auto store(scan) stations in FM mode and short-press can play or pause a played song alternately in USB*,SD* and BT mode.
10. -- Play previous song in USB*,SD* & BT mode or go to previous Preset station in FM mode
11. -----Play next song in USB*,SD* & BT mode or go to next Preset station in FM mode
12. VOL- ----- Volume down.
13. TUNE- ----- Press"TUNE-"each time to search channel step by step(each step(-) 0.1 MHz),Press"TUNE-"long time to search previous channel, and play the channel automatically.
14. TUNE+ ----- Press"TUNE+"each time to search channel step by step(each step 0.1 MHz),Press"TUNE+"long time to search next channel, and play the channel automatically.

Playing the speakers and subwoofer



System positioning :

The subwoofer is recommended to be put on the floor to get a better acoustic effect.

For best possible surround sound, all the speakers (except subwoofer) should be placed at the same distance from the listening position.

Place the front left and right speakers at equal distances from the TV and at an angle of approximately 45 degrees (horizontal) from the listening position.

Place the centre speaker above the TV so that the centre channel's sound is localised.

Place the surround speakers at normal listening, ear level facing each other or mounted on the wall.

Helpful Hint:

- To avoid magnetic interference, do not position the speakers, too close to your TV.

Bluetooth Operating Instruction

1. Press SRC key from side panel or remote input key to go to Bluetooth;
2. When selected the Bluetooth mode, in display, “bt” will start blinking and hear an audio tone which indicate in Bluetooth pairing mode;
3. For pairing with mobile phone or other Bluetooth devices, search the device named “SPA8140B” and pair it. Once paired, “bt” stops blinking and an audio tone will come up;
4. Press and hold “▶||” for 3 seconds from remote in order to force disconnect the Bluetooth.

Note: While using Bluetooth, if external call comes, then speaker system goes in mute mode in order to protect privacy of mobile phone user. Operation resumes once the call is disconnected.

Troubleshooting

Warning -

Under no circumstances should you try to repair the system yourself, as this will invalidate the warranty. Do not open the system as there is a risk of electric shock. If a fault occurs, first check the points listed below before taking the system for repair. If you are unable to remedy the problem by following hints mentioned in below table, Consult your dealer or PHILIPS APSC for help.

Problem	Solution
1. No power.	Check if the AC power cord is properly inserted into the AC mains socket.
2. No sound or distorted sound.	Adjust the volume / select the correct source to choose the equipment that you want to hear through the system.
3. The remote control does not function properly.	Reduce the distance between the remote control and the system. Replace the batteries with new ones / Point the remote control directly towards the IR sensor (located on front panel of the subwoofer) / Check that the batteries are loaded correctly / Switch off the system for 30 seconds and then restart.
4. Low hum or buzz sound.	Place the product as far away as possible from electrical devices that may be causing interference / Check power supply voltage and consult electrician.
5. The content of the USB / SD flash drive cannot	The USB / SD flash drive format is not compatible with the system. Drive is formatted with a different file system which is not supported by this unit (e.g. NTFS).
6. Slow operation of the USB / SD flash drive / cannot detect USB / SD flash drive.	Big memory size USB / SD flash drive will take time to read and play. / Take out USB / SD drive and insert it again properly.
7. FM not properly tuned.	Match with local frequency.
8. FM reception not good.	While listening radio turn off TV / DVD or other radiation source.
9. BT not working.	Reduce the distance or device is not paired.

In case these measures do not work contact the nearest PHILIPS service center or call at customer care numbers.

Warranty

This Philips 4.1 multimedia speakers system is warranted against any defect due to defective materials or workmanship for 12 months from the date of purchase, should a defect develop during the period of warranty, **Gibson Innovations India Private Limited** undertake to repair the apparatus FREE OF CHARGE through the dealer from whom it has been purchased or at any of the Philips Authorised Service Centres.

The warranty is not valid in case :

1. Proof of purchase is not accompanied with this warranty card.
2. The warranty card is not completed immediately after purchase.
3. The apparatus is not used according to this manual.
4. Defects are caused by improper or reckless use.
5. Any repairs are done by persons other than Philips Authorised service centre.
6. Any modifications or alteration of any nature are made in the apparatus.
7. The serial number is tampered with.
8. Defects due to causes beyond control like lightning, abnormal voltage, acts of God or while in transit to the purchaser's residence.

All consumables and parts susceptible to normal wear and tear are not covered under warranty.

Week/S.No.: _____ Bill No. _____

Date of purchase _____

Dealer's name: _____

Dealers stamp: _____

Customer's name and address: _____

Model No.: _____

Dealer's signature: _____

Gibson Innovations India Private Limited 4th Floor, Block-1, Vatika Business Park, Sector 49, Sohna Road, Gurgaon-122018, Haryana, India

Product specifications*

Total system power	38W RMS
Satellite speaker power	5Wx4 RMS
Subwoofer power	18W RMS
Separation	>40db
SNR	>60db
Audio input socket	RCA
Audio output socket	RCA
Power consumption	20 W
Subwoofer speaker	1 Way
Drive Size	5 inches
Impedance	4 Ohm
Frequency range	20Hz - 115Hz
Dimension (mm) W x H x D	155 x 310 x 286
Weight	3.3 kg

Satellite speaker power	1 Way, 4 Speakers
Drive Size	3 inches
Impedance	8 Ohm
Frequency range	115Hz - 20KHz
Product Dimension (mm) W x H x D	90 x 173 x 106
Net Weight	0.46 kg
BT version	V3.0
BT range	Up to 10 meter (free space)
Class support	UMS (USB mass storage class)
Capacity	Up to 64GB
Playability	MP3 format file

*Specification subject to change without prior notice.
Measured under specific conditions.

The Philips trademark and Philips shield emblem are registered trademarks of Koninklijke Philips N.V. used under license.

This product has been manufactured by and sold under the responsibility of Gibson Innovation India Private Ltd. and Gibson Innovations India Private Ltd. is the warrantor in relation to this product.



Question?
Contact
Philips

Always there to help you

Visit us at www.india.philips.com
Contact at: 1860 180 1111, 1800 102 2929
Or customercare.india@philips.com