



# Refrigerator

## User manual

Free Standing Appliance

**SAMSUNG**

# Contents

---

<b>Safety information</b>	<b>3</b>
Important safety symbols and precautions:	5
Severe warning signs for transportation and site	5
Critical installation warnings	6
Installation cautions	9
Critical usage warnings	10
Usage cautions	14
Cleaning cautions	17
Critical disposal warnings	18
Additional tips for proper usage	19
This appliance is intended to be used in household and similar applications such as	20
Instructions about the WEEE	21
<b>Installation</b>	<b>22</b>
Refrigerator at a glance	22
Step-by-step installation	24
<b>Operations</b>	<b>29</b>
Feature panel	29
Special features	35
<b>Maintenance</b>	<b>38</b>
Handle and care	38
Cleaning	39
Replacement	39
<b>Troubleshooting</b>	<b>40</b>
General	40

# Safety information

---

- Before using your new Samsung Refrigerator, please read this manual thoroughly to ensure that you know how to operate the features and functions that your new appliance offers safely and efficiently.
- This appliance is not intended for use by persons (including children) with reduced physical, sensory, or mental capabilities, or those who lack experience and knowledge, unless they have been given supervision or instruction concerning the use of the appliance by a person responsible for their safety.
- This appliance can be used by children aged from 8 years and above and persons with reduced physical, sensory or mental capabilities or lack of experience and knowledge if they have been given supervision or instruction concerning use of the appliance in a safe way and understand the hazards involved. Children shall not play with the appliance. Cleaning and user maintenance shall not be made by children without supervision.
- Warnings and Important Safety Instructions in this manual do not cover all possible conditions and situations that may occur. It is your responsibility to use common sense, caution, and care when installing, maintaining, and operating your appliance.
- Because these following operating instructions cover various models, the characteristics of your refrigerator may differ slightly from those described in this manual and not all warning signs may be applicable. If you have any questions or concerns, contact your nearest service center or find help and information online at [www.samsung.com](http://www.samsung.com).
- R-600a or R-134a is used as a refrigerant. Check the compressor label on the rear of the appliance or the rating label inside the fridge to see which refrigerant is used for your refrigerator. When this product contains flammable gas (Refrigerant R-600a), contact your local authority in regard to safe disposal of this product.

# Safety information

---

- In order to avoid the creation of a flammable gas-air mixture if a leak in the refrigerating circuit occurs, the size of the room in which the appliance may be sited depends on the amount of refrigerant used.
- Never start up an appliance showing any signs of damage. If in doubt, consult your dealer. The room must be 1 m<sup>3</sup> in size for every 8 g of R-600a refrigerant inside the appliance.  
The amount of refrigerant in your particular appliance is shown on the identification plate inside the appliance.
- Refrigerant squirting out of the pipes could ignite or cause an eye injury. When refrigerant leaks from the pipe, avoid any naked flames and move anything flammable away from the product and ventilate the room immediately.
  - Failing to do so may result in fire or explosion.
- It is hazardous for anyone other than an Authorised Service Person to service this appliance.



Warning; Risk of fire / flammable materials

---

## Important safety symbols and precautions:

---

### **WARNING**

Hazards or unsafe practices that may result in severe personal injury or death.

### **CAUTION**

Hazards or unsafe practices that may result in minor personal injury or property damage.

These warning signs are here to prevent injury to you and others.

Please follow them carefully.

After reading this section, keep it in a safe place for future reference.

---

## Severe warning signs for transportation and site

---

### **WARNING**

- When transporting and installing the appliance, care should be taken to ensure that no parts of the refrigerating circuit are damaged.
  - Refrigerant leaking from the pipe work could ignite or cause an eye injury. If a leak is detected, avoid any naked flames or potential sources of ignition and air the room in which the appliance is standing for several minutes.
  - This appliance contains a small amount of isobutane refrigerant (R-600a), a natural gas with high environmental compatibility that is, however, also combustible. When transporting and installing the appliance, care should be taken to ensure that no parts of the refrigerating circuit are damaged.



# Safety information

---

## Critical installation warnings

---

### **WARNING**

- Do not install the refrigerator in a damp location or place where it may come in contact with water.
  - Deteriorated insulation on electrical parts may cause an electric shock or fire.
- Do not place this refrigerator in direct sunlight or expose it to the heat from stoves, room heaters, or other appliances.
- Do not plug several appliances into the same multiple power strip. The refrigerator should always be plugged into its own individual electrical outlet which has a voltage rating that matches the voltage listed on the refrigerator's rating plate.
  - This provides the best performance and also prevents overloading of house wiring circuits, which could cause a fire hazard from overheated wires.
- If the wall socket is loose, do not insert the power plug.
  - There is a risk of electric shock or fire.
- Do not use a power cord that has cracks or abrasion damage along its length or at either end.
- Do not bend the power cord excessively or place heavy objects on it.
- Do not pull or excessively bend the power cord
- Do not twist or tie the power cord.
- Do not hook the power cord over a metal object, place a heavy object on the power cord, insert the power cord between objects, or push the power cord into the space behind the appliance
- When moving the refrigerator, be careful not to roll over or damage the power cord.
  - This may result in an electric shock or fire.



- 
- Never unplug your refrigerator by pulling on the power cord. Always grip the plug firmly and pull straight out from the outlet.
    - Damage to the cord may cause a short-circuit, fire, and/or electric shock.
  - Do not store explosive substances such as aerosol cans with a flammable propellant in this appliance.
  - Do not install this appliance near a heater or inflammable material
  - Do not install this appliance in a location where gas may leak.
    - This may result in an electric shock or fire.
  - This refrigerator must be properly located and installed in accordance with the instructions in this manual before you use it.
  - Connect the power plug in the proper position with the cord hanging down.
    - If you connect the power plug upside down, the wire can get cut off and cause a fire or electric shock.
  - Make sure that the power plug is not crushed or damaged by the back of the refrigerator.
  - Keep the packing materials out of reach of children.
    - There is a risk of death from suffocation if a child puts the packing materials on his or her head.
  - The appliance must be positioned so that the plug is accessible after installation.
    - Failing to do so may result in an electric shock or fire due to electric leakage.
  - Do not install this appliance in a humid, oily or dusty location, in a location exposed to direct sunlight and water (rain drops).
    - Deteriorated insulation of electrical parts may cause an electric shock or fire.



# Safety information

---

- If any dust or water is in the refrigerator, pull out power plug and contact your Samsung Electronics service center.
  - Otherwise there is a risk of fire.
- Do not stand on top of the appliance or place objects (such as laundry, lighted candles, lighted cigarettes, dishes, chemicals, metal objects, etc.) on the appliance.
  - This may result in an electric shock, fire, problems with the product, or injury.
- You need to remove all the protective plastic film before you initially plug the product in.
- Children should be supervised to ensure that they do not play with the snap rings used for door adjustment or the water tube clips.
  - There is risk of death by suffocation if a child swallows a snap ring or water tube clip. Keep the snap rings and water tube clips out of children's reach.
- The refrigerator must be safely grounded.
  - Always make sure that you have grounded the refrigerator before attempting to investigate or repair any part of the appliance. Power leakages can cause severe electric shock.
- Never use gas pipes, telephone lines, or other potential lightning attractors as an electrical ground.
  - You must ground the refrigerator to prevent any power leakages or electric shocks caused by current leakage from the refrigerator.
  - This may result in an electric shock, fire, explosion, or problems with the product.
- Plug the power plug into the wall socket firmly. Do not use a damaged power plug, damaged power cord, or loose wall socket.
  - This may result in an electric shock or fire.





- 
- If the power cord is damaged, have it replaced immediately by the manufacturer or one of its service agents.
  - The fuse on the refrigerator must be changed by a qualified technician or service company.
    - Failing to do so may result in an electric shock or personal injury.
  - When positioning the appliance, ensure the supply cord is not trapped or damaged.
  - Do not locate multiple portable socket-outlets or portable power supplies at the rear of the appliance.

## Installation cautions

---

### CAUTION

- Allow sufficient space around the refrigerator and install it on a flat surface.
  - Keep the ventilation space in the appliance enclosure or mounting structure clear of obstructions.
- Allow the appliance to stand for 2 hours before loading foods after installation and turning on.
- We strongly recommend you have a qualified technician or service company install the refrigerator.
  - Failing to do so may result in an electric shock, fire, explosion, problems with the product, or injury.
- Overload on any one door may fell the refrigerator, causing physical injury.



# Safety information

---

## Critical usage warnings

---

### **WARNING**

- Do not insert the power plug into a wall socket with wet hands.
  - This may result in an electric shock.
- Do not store articles on the top of the appliance.
  - When you open or close the door, the articles may fall and cause personal injury and/or material damage.
- Do not insert hands, feet or metal objects (such as chopsticks, etc.) into the bottom or the back of the refrigerator.
  - This may result in an electric shock or injury.
  - Any sharp edges may cause a personal injury.
- Do not touch the inside walls of the freezer or products stored in the freezer with wet hands.
  - This may cause frostbite.
- Do not put a container filled with water on the refrigerator.
  - If spilled, there is a risk of fire or electric shock.
- Do not keep volatile or flammable objects or substances (benzene, thinner, propane gas, alcohol, ether, LP gas, and other such products) in the refrigerator.
  - This refrigerator is for storing food only.
  - This may result in fire or explosion.
- Children should be supervised to ensure that they do not play with the appliance.
  - Keep fingers out of “pinch point” areas. Clearances between the doors and cabinet are necessarily small. Be careful when you open the doors if children are in the area.
- Do not let children hang on the door or door bins. A serious injury may occur.
- Do not let children go inside the refrigerator. They could become trapped.



- 
- Do not insert your hands into the bottom area under the appliance.
    - Any sharp edges may cause personal injury.
  - Do not store pharmaceutical products, scientific materials, or temperature sensitive products in the refrigerator.
    - Products that require strict temperature controls must not be stored in the refrigerator.
  - Do not place or use electrical appliance inside the refrigerator/freezer, unless they are of a type recommended by the manufacturer.
  - If you smell pharmaceutical or smoke, pull out power plug immediately and contact your Samsung Electronics service center.
  - If any dust or water is in Refrigerator, pull out power plug and contact your Samsung Electronics service center.
    - Otherwise there is a risk of fire.
  - Do not let children step on a drawer.
    - The drawer may break and cause them to slip.
  - Do not leave the doors of the refrigerator open while the refrigerator is unattended and do not let children enter inside the refrigerator.
  - Do not allow babies or children go inside the drawer.
    - It can cause death from suffocation by entrapment or personal injury.
  - Do not overfill the refrigerator with food.
    - When you open the door, an item may fall out and cause personal injury or material damage.
  - Do not spray volatile material such as insecticide onto the surface of the appliance.
    - As well as being harmful to humans, it may also result in an electric shock, fire, or problems with the product.

# Safety information

---

- Do not use or place any substances sensitive to temperature such as flammable sprays, flammable objects, dry ice, medicine, or chemicals near or inside of the refrigerator.
- Do not use a hair dryer to dry the inside of the refrigerator. Do not place a lighted candle in the refrigerator for removing bad odours.
  - This may result in an electric shock or fire.
- Fill the water tank, ice tray and water cubes only with potable water (mineral water or purified water).
  - Do not fill the tank with tea, juice or sports drink, this may damage the refrigerator.
- Do not stand on top of the appliance or place objects (such as laundry, lighted candles, lighted cigarettes, dishes, chemicals, metal objects, etc.) on the appliance. This may result in an electric shock, fire, problems with the product, or injury. Do not put a container filled with water on the appliance.
  - If spilled, there is a risk of fire or electric shock.
- Do not use mechanical devices or any other means to accelerate the defrosting process, other than those recommended by the manufacturer.
- Do not damage the refrigerant circuit.
- Never stare directly at the UV LED lamp for long periods of time.
  - This may result in eye strain due to the ultraviolet rays.
- Do not put fridge shelf in upside down. Shelf stopper could not work.
  - It may cause a personal injury because of glass shelf drop.
- Keep fingers out of “pinch point” areas. Clearances between the doors and cabinet are necessarily small. Be careful when you open the doors if children are in the area.

- 
- If a gas leak is detected, avoid any naked flames or potential sources of ignition, and air the room in which the appliance is standing for several minutes.
    - Do not touch the appliance or power cord.
    - Do not use a ventilating fan.
    - A spark may result in explosion or fire.
  - Use only the LED Lamps provided by the manufacturer or its service agents.
  - Bottles should be stored tightly together so that they do not fall out.
  - This product is intended only for the storage of food in a domestic environment.
  - Do not attempt to repair, disassemble, or modify the refrigerator yourself.
    - Unauthorized modifications can cause safety problems. To reverse an unauthorized modification, we will charge the full cost of parts and labor.
  - Do not use any fuse (such as cooper, steel wire, etc.) other than a standard fuse.
  - If your refrigerator needs to be repaired or reinstalled, contact your nearest service center.
    - Failing to do so may result in an electric shock, fire, problems with the product, or injury.
  - If the interior or exterior LED lamp has gone out, contact your nearest service center.
  - If the refrigerator emits a burning smell or smoke, unplug the refrigerator immediately and contact your Samsung Electronics service center.
    - Failing to do so may result in an electric or fire hazards.

# Safety information

---

- Pull the power plug out of the socket before changing the interior lamps of the refrigerator
  - Otherwise, there is a risk of electric shock.
- If you experience difficulty changing a non-LED light, contact a Samsung service center.
- If the product is equipped with LED lamps, do not disassemble the Lamp Covers and LED lamps yourself.
  - Contact a Samsung service center.
- Plug the power plug into the wall socket firmly.
- Do not use a damaged power plug, damaged power cord or loose wall socket.
  - This may result in an electric shock or fire.

## Usage cautions

---

### CAUTION

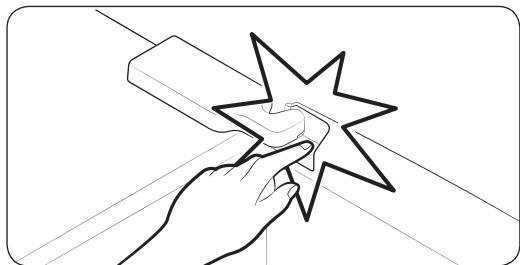
- Do not re-freeze frozen foods that have thawed completely. Do not place carbonated or fizzy drinks in the freezer compartment. Do not put bottles or glass containers in the freezer.
  - When the contents freeze, the glass may break and cause personal injury.
- Use only the ice maker provided with the refrigerator.
- To get the best performance from the product:
  - Do not place food too close to the vents at the rear of the refrigerator as this can obstruct free air circulation in the refrigerator compartment.
  - Wrap food up properly or place it in airtight containers before putting it into the refrigerator.

- 
- Do not place glass bottles or carbonated beverages into the freezer. They can freeze and break. Broken beverage containers can cause injury.
  - Please observe maximum storage times and expiration dates of frozen goods.
  - Do not place glass or bottles or carbonated beverages into the freezer.
    - The container may freeze and break, and this may result in injury.
  - Do not place carbonated or fizzy drinks in the freezer compartment. Do not put bottles or glass containers in the freezer.
    - When the contents freeze, the glass may break and cause personal injury and property damage.
  - Service Warranty and Modification.
    - Any changes or modifications performed by a 3rd party on this finished appliance are not covered under Samsung warranty service, nor is Samsung responsible for safety issues that result from 3rd party modifications.
  - Do not block the air vents inside the refrigerator.
    - If the air vents are blocked, especially with a plastic bag, the refrigerator can be over cooled. If a cooling period lasts too long, the water filter may break and cause water leakage.
  - Use only the ice-maker provided with the refrigerator.
  - Wipe excess moisture from the inside and leave the doors open.
    - Otherwise, odor and mold may develop.
  - If the refrigerator is disconnected from the power supply, you should wait for at least five minutes before plugging it back in.
  - When the refrigerator got wet by water, pull out the power plug and contact your Samsung Electronics service center.

# Safety information

---

- Do not strike or apply excessive force to any glass surface.
  - Broken glass may result in a personal injury and/or property damage.
- Fill the water tank and ice cube trays with potable water only (tap water, mineral water, or purified water).
  - Do not fill the tank with tea or a sports drink. This may damage the refrigerator.



- Be careful that your fingers are not caught in.

- The lamps in the freezer and refrigerator can be turned off if the doors of the freezer and refrigerator are left open for 2 seconds or longer.
  - The lamps will turn back on when the doors are closed and opened again.
- If the refrigerator is flooded, make sure to contact your nearest service center.
  - There is a risk of electric shock or fire.
- Do not keep vegetable oil in your refrigerator's door bins. The oil can solidify, making it foul-tasting and difficult to use. In addition, the open container can leak and the leaked oil can cause the door bin to crack. After opening an oil container, it is best to keep the container in a cool and shaded place such as a cupboard or pantry.
  - Examples of vegetable oil: olive oil, corn oil, grape-seed oil, etc.



---

## Cleaning cautions

---

### CAUTION

- Do not spray water directly on the inside or outside the refrigerator.
  - There is a risk of fire or electric shock.
- Do not use a hair dryer to dry the inside of the refrigerator.
- Do not place a lighted candle in the refrigerator to remove bad odors.
  - This may result in an electric shock or fire.
- Do not spray cleaning products directly on the display.
  - Printed letters on the display may come off.
- If any foreign substance such as water has entered the appliance, unplug the power plug and contact your nearest service center.
  - Failing to do so may result in an electric shock or fire.
- Use a clean, dry cloth to remove any foreign matter or dust from the power plug blades. Do not use a wet or damp cloth when cleaning the plug.
  - Otherwise, there is a risk of fire or electric shock.
- Do not clean the appliance by spraying water directly onto it.
- Do not use benzene, thinner, or Clorox, Chloride for cleaning.
  - They may damage the surface of the appliance and may cause a fire.
- Never put fingers or other objects into the dispenser hole.
  - It may cause a personal injury or material damage.
- Before cleaning or performing maintenance, unplug the appliance from the wall socket.
  - Failing to do so may result in an electric shock or fire.
- Use a clean sponge or soft cloth and a mild detergent in warm water to clean the refrigerator.

# Safety information

---

- Do not use abrasive or harsh cleansers such as window sprays, scouring cleansers, flammable fluids, muriatic acid, cleaning waxes, concentrated detergents, bleaches, or cleansers containing petroleum products on exterior surfaces (doors and cabinet), plastic parts, door and interior liners, and gaskets.
  - These can scratch or damage the material.
- Do not clean glass shelves or covers with warm water when they are cold. Glass shelves and covers may break if exposed to sudden temperature changes or impacts such as bumping or dropping.

## Critical disposal warnings

---

### **WARNING**

- Please dispose of the packaging material from this product in an environmentally friendly manner.
- Ensure that none of the pipes on the back of the refrigerator are damaged prior to disposal.
- R-600a or R-134a is used as a refrigerant. Check the compressor label on the rear of the appliance or the rating label inside the fridge to see which refrigerant is used for your refrigerator. If this refrigerator contains flammable gas (Refrigerant R-600a), contact your local authority in regard to safe disposal of this product.
- When disposing of this refrigerator, remove the door/door seals and door latch so that small children or animals cannot become trapped inside. Children should be supervised to ensure that they do not play with the appliance. If trapped inside, a child may get hurt or suffocate to death.
  - If trapped inside, the child may become injury and suffocate to death.

- 
- Cyclopentane is used in the insulation. The gases in the insulation material require a special disposal procedure. Please contact your local authorities in regard to the environmentally safe disposal of this product.
  - Keep all packaging materials well out of the reach of children, as packaging materials can be dangerous to children.
    - If a child places a bag over his or her head, the child could suffocate.

### **Additional tips for proper usage**

---

- In the event of a power failure, call the local office of your electric company and ask how long the failure is going to last.
  - Most power failures that are corrected in an hour or two will not affect your refrigerator temperatures. However, you should minimize the number of door openings while the power is off.
  - Should the power failure last more than 24 hours, remove and discard all frozen food.
- The refrigerator might not operate consistently (frozen contents can thaw or temperatures can become too warm in the frozen food compartment) if sited for an extended period of time in a location where ambient air temperatures are constantly below the temperatures for which the appliance is designed.
- In case of particular foods, keeping it under refrigeration can have a bad effect on preservation due to its properties.
- Your appliance is frost free, which means there is no need to manually defrost your appliance. This will be carried out automatically.

# Safety information

---

- Temperature rise during defrosting complies with ISO requirements. If you want to prevent an undue rise in the temperature of frozen food while the appliance defrosts, wrap the frozen food in several layers of newspaper.
- Do not re-freeze frozen foods that have thawed completely.
- The temperature of two star section (sections) or compartment (compartments) which have two star symbol (\*\*) is slightly higher than other freezer compartment (compartments).  
The two star section (sections) or compartment (compartments) is (are) based on the instruction and/or the condition as delivered.

## **This appliance is intended to be used in household and similar applications such as**

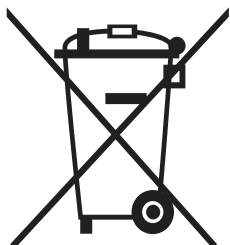
---

- staff kitchen areas in shops, offices and other working environments;
- farm houses and by clients in hotels, motels and other residential type environments;
- bed and breakfast type environments;
- catering and similar non-retail applications.

---

## Instructions about the WEEE

---



### Correct Disposal of This Product (Waste Electrical & Electronic Equipment)

(Applicable in countries with separate collection systems)

This marking on the product, accessories or literature indicates that the product and its electronic accessories (e.g. charger, headset, USB cable) should not be disposed of with other household waste at the end of their working life. To prevent possible harm to the environment or human health from uncontrolled waste disposal, please separate these items from other types of waste and recycle them responsibly to promote the sustainable reuse of material resources.

For more information on safe disposal and recycling visit our website [www.samsung.com/in/support](http://www.samsung.com/in/support) or contact our Helpline numbers - 1800 40 SAMSUNG (1800 40 7267864).

# Installation

Follow these instructions carefully to ensure a proper installation of this refrigerator and to prevent accidents before using it.

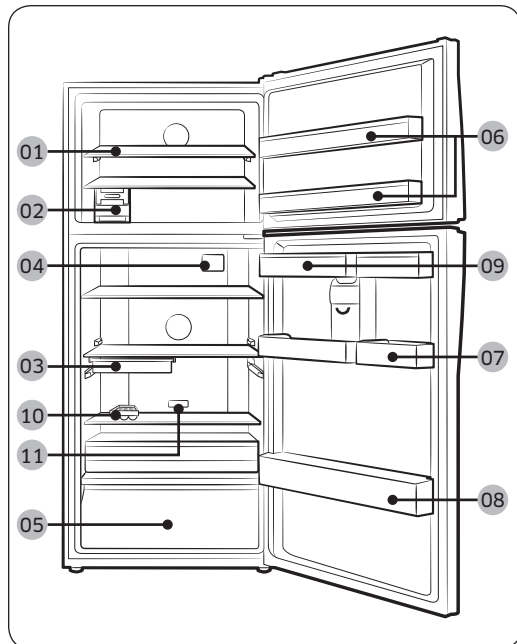
## **⚠ WARNING**

- Use the refrigerator only for its intended purpose as described in this manual.
- Any servicing must be performed by a qualified technician.
- Dispose of the product packaging material in compliance with the local regulations.

## Refrigerator at a glance

### **📄 NOTE**

The actual image and provided component parts of the refrigerator may differ, depending on the model and the country.

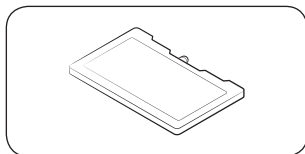


- 01** Shelf-Fre
- 02** Ice Maker
- 03** Deli Bin \*
- 04** A/Bacteria Protector \*
- 05** Vegetable Box \*
- 06** Freezer bin
- 07** Variety bin
- 08** Bottle bin
- 09** Water Tank \*
- 10** Egg bin
- 11** Deodorizer \*

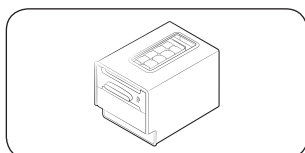
\* applicable models only

---

## Optional accessories \*



**Cool pack:** This helps keep the refrigerator cool.



**Twist Ice Maker:** Used to make ice.

\* Your refrigerator may not include optional accessories listed above. Provision of optional accessories depends on the model and the country.

### To secure more room for storage in the freezer compartment

Remove the upper shelf, which can be detached manually without a tool.

- Removal of the upper shelf does not affect thermal and mechanical performance of the freezer.
- To remove both ice makers, remove the right-handed one first (applicable to Ice Max models).
- For best energy efficiency, make sure all of shelves, drawers, and baskets are placed in their original position.

# Installation

## Step-by-step installation

### STEP 1 Select a site

#### Site requirements:

- Solid, level surface without carpeting or flooring that may obstruct ventilation
- Away from direct sunlight
- Adequate room for opening and closing the door
- Away from a heat source
- Room for maintenance and servicing
- Temperature range: between 10 °C and 43 °C

#### Effective temperature range

The refrigerator is designed to operate normally in the temperature range specified by its class rating.

Class	Symbol	Ambient Temperature range (°C)	
		IEC 62552 (ISO 15502)	ISO 8561
Extended Temperate	SN	+10 to +32	+10 to +32
Temperate	N	+16 to +32	+16 to +32
Subtropical	ST	+16 to +38	+18 to +38
Tropical	T	+16 to +43	+18 to +43

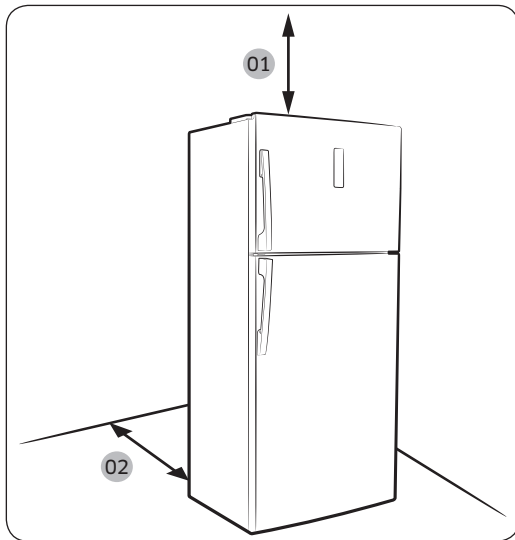
#### NOTE

The cooling performance and power consumption of the refrigerator may be affected by the ambient temperature, the door-opening frequency, and the location of the refrigerator. We recommend adjusting the temperature settings as appropriate.



## Clearance

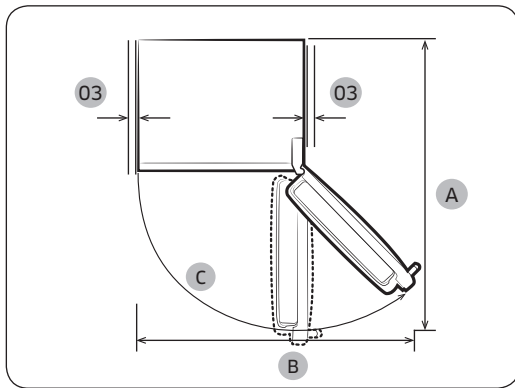
See the pictures and table below for space requirements for installation.



Model	A	B	C
RT58	1507	1352	120°
RT62	1507	1352	120°

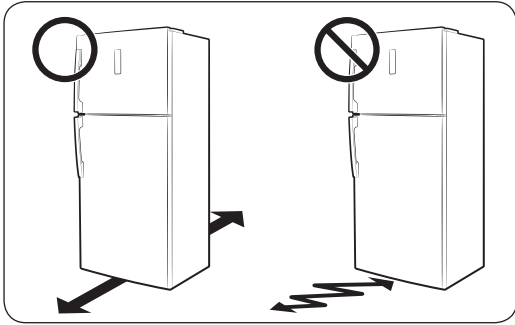
(unit: mm)

- 01** 100 mm
- 02** 50 mm
- 03** at least 50 mm



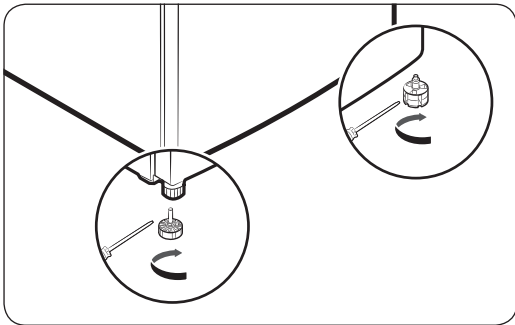
# Installation

## STEP 2 Flooring

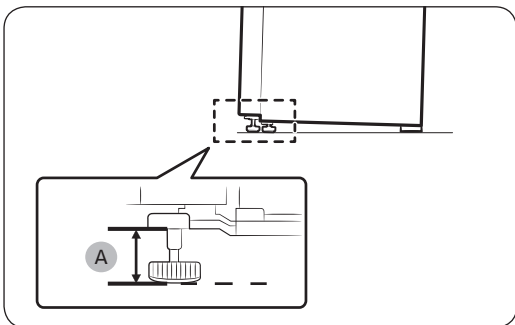


- The surface to install the refrigerator must support a fully loaded refrigerator, or approximately 100 kg.
- To protect the floor, put a large piece of cardboard on each leg of the refrigerator.
- Once the refrigerator is in its final position, do not move it unless necessary to protect the floor. If you have to, use a thick paper or cloth such as old carpets along the movement path.

## STEP 3 Adjust the levelling feet



Level the refrigerator by manually adjusting the levelling feet. Turn the levelling feet clockwise to lower the position, or turn counter clockwise to raise.



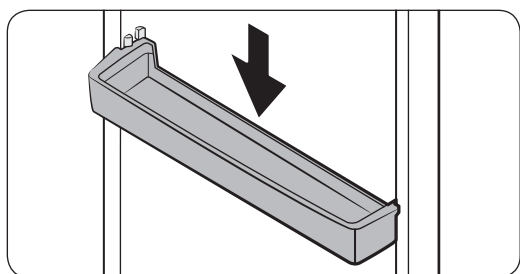
Leave the feet at least 35 mm (A) from the floor as shown.

---

## STEP 4 Unpack and put accessories in place (applicable models only)

The accessories that ship with this refrigerator are properly packed for transportation and safety reasons. Unpack those accessories and put them in place.

### Door bins

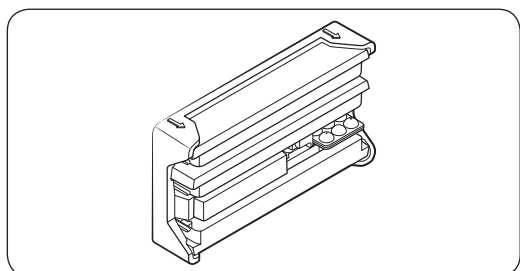


There are door bins provided with the product. Insert door bins each to the freezer and the fridge.

If you want to use the egg tray, make sure it is put in the fridge or inserted in the door bin.

 **NOTE**

Firmly press the door bins when assembling them to the door.



# Installation

---

## STEP 5 Initial settings

---

By completing the following steps, the refrigerator should be fully functioning.

1. Plug the power cord into the wall socket to turn the refrigerator on.
2. Open the door, and check if the interior light lights up.
3. Set the temperature to the coldest, and wait for about an hour. Then, the freezer will be slightly chilled, and the motor will run smoothly.
4. Wait until the refrigerator reaches the set temperature. Now the refrigerator is ready for use.

## STEP 6 Final check

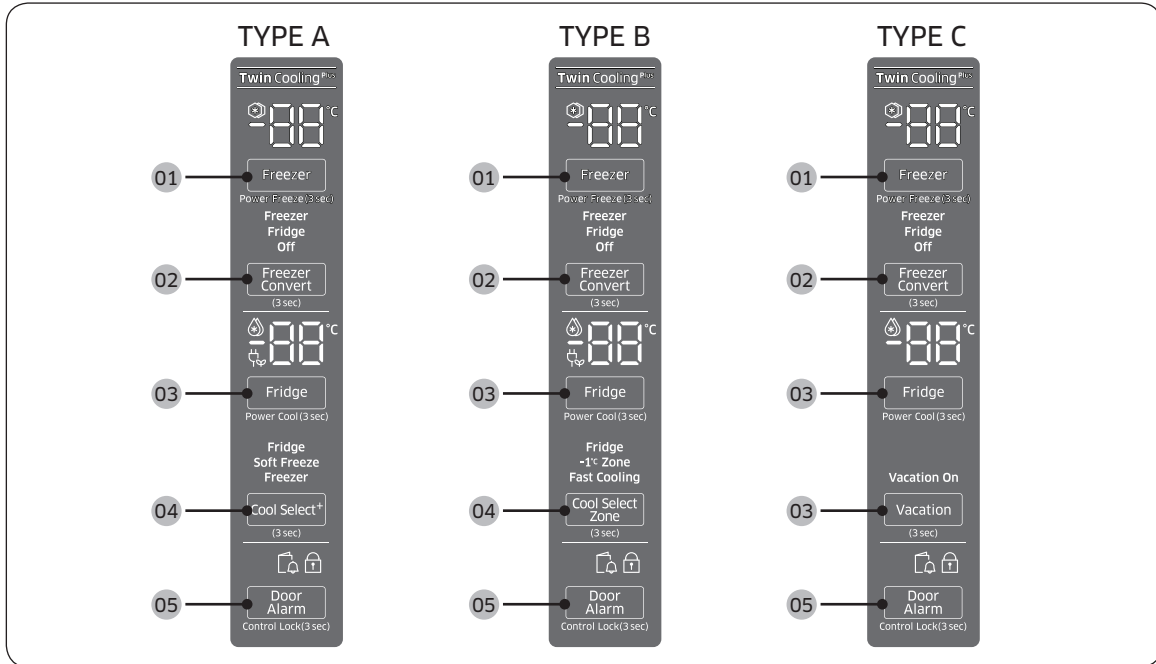
---

When installation is complete, confirm that:

- The refrigerator is plugged into an electrical outlet and grounded properly.
- The refrigerator is installed on a flat, level surface with a reasonable clearance from the wall or the cabinet.
- The refrigerator is level and is sitting firmly on the floor.
- The door opens and closes freely, and the interior light turns on automatically when you open the door.

# Operations

## Feature panel



**01** Freezer / Power Freeze

**02** Freezer Convert

**03** Fridge / Power Cool /  
Vacation

**04** Cool Select+ / Cool  
Select Zone (Type A and  
Type B models only)

**05** Door Alarm / Control  
Lock

# Operations

## 01 Freezer / Power Freeze

Freezer	<p>The <b>Freezer</b> button can be used to set the freezer temperature. Available temperatures are between -15 °C and -23 °C.</p> <p><b>⚠ CAUTION</b></p> <ul style="list-style-type: none"><li>• To prevent system failure or food spoiling, do not set the temperature to -15 °C in summer (above 35 °C).</li><li>• Do not store glass bottles containing liquid in the freezer. Glass bottles will crack or break into pieces when the liquid freezes.</li></ul>
Power Freeze	<p>Power Freeze speeds up the freezing process at maximum fan speed. The freezer keeps running at full speed for several hours and then returns to the previous temperature.</p> <ul style="list-style-type: none"><li>• To activate Power Freeze, press and hold <b>Freezer</b> for 3 seconds. The corresponding indicator (❄) lights up, and the refrigerator will speed up the cooling process for you.</li><li>• To deactivate, press and hold <b>Freezer</b> again for 3 seconds. The freezer returns to the previous temperature setting.</li><li>• To freeze large amounts of food, activate Power Freeze for at least 20 hours before putting food in the freezer.</li><li>• The freezer keeps running at full speed for 50 hours and then returns to the previous temperature.</li></ul> <p><b>📖 NOTE</b></p> <p>Using Power Freeze increases power consumption. Make sure you turn it off and return to the previous temperature if you do not intend to use it.</p>



## 02 Freezer Convert

### Freezer Convert

You can use the entire refrigerator with Fridge mode, or turn off the freezer.

To change the default freezer mode, press and hold **Freezer Convert** for 3 seconds to enter the selection mode. Then, press **Freezer Convert** to select a desired mode.

The mode changes in this sequence: Fridge → Off → Freezer → Off → Fridge setting mode.

- If you select Fridge, the Fridge indicator turns on. Power Freeze will be deactivated if active, and Ice On will turn off if enabled.
- If you select Off, the Off indicator turns on. The freezer will be turned off.
- If you select Freezer, the Freezer indicators turns on for your selection.

Your changes will be set and activated after 10 seconds. To cancel or change the mode again, press and hold **Freezer Convert** again for 3 seconds. Then, follow the instructions as mentioned above.

#### NOTE

- If you press and hold **Freezer Convert** for 3 seconds, the refrigerator switches to selection mode where you can press **Freezer Convert** to select a different mode.
- When refrigeration or freezing functions are at 'Off mode', the temperature of the fridge or freezer remains under 15 °C to prevent mold and odors, using low electricity.
- Fridge or Freezer cannot be powered off independently.
- Do not store food or beverage in refrigerator when refrigeration or freezing functions are at 'Off mode'. 15 °C is not cool enough to prevent spoilage.

#### WARNING

- Do not put glass bottles containing liquid in the freezer. When cancelling Freezer Convert, the glass bottles may break or burst in the freezer.
- Make sure to remove frozen foods from the freezer before enabling the Freezer Convert. Frozen foods melt and spoil as the temperature increases (Freezer mode changes to Fridge mode).
- Make sure to remove chilled foods from the freezer before disabling the Freezer Convert. Chilled foods may freeze as the temperature decreases (Fridge mode changes to Freezer mode).





# Operations



## NOTE

If you want to use Freezer Convert, it is strongly recommend to use plastic containers to store food, especially vegetables.

### 03 Fridge / Power Cool / Vacation

Fridge	<p>To adjust the fridge temperature, press <b>Fridge</b> to select the corresponding temperature. You can change the temperature between 1 °C and 7 °C.</p> <p> <b>CAUTION</b></p> <ul style="list-style-type: none"><li>• In winter, do not set the temperature control to 1 °C. This may cause problems with the cooling performance.</li><li>• In summer, do not set the temperature control to 5-7 °C. This may also cause problems with the cooling performance.</li></ul>
Power Cool	<p>Power Cool speeds up the cooling process at maximum fan speed. The fridge keeps running at full speed for several hours and then returns to the previous temperature.</p> <ul style="list-style-type: none"><li>• To activate Power Cool, press and hold <b>Fridge</b> for 3 seconds. The corresponding indicator (🔆) lights up, and the refrigerator will speed up the cooling process for you.</li><li>• To deactivate Power Cool, press and hold <b>Fridge</b> again for 3 seconds. The fridge returns to the previous temperature setting.</li></ul> <p> <b>NOTE</b></p> <p>Using Power Cool increases power consumption. Make sure you turn it off and return to the previous temperature if you don't intend to use it.</p>



<p>Vacation</p>	<p>If you are going on vacation or a business trip, or if you do not intend to use the fridge for an extended time, use the Vacation mode.</p> <p><b>(Type A and Type B models only)</b></p> <ul style="list-style-type: none"> <li>To activate Vacation mode, press <b>Fridge</b> with the 1 °C indicator selected. The vacation indicator (  ) turns on while the display of the fridge temperatures will turn off. The display of Type A (Cool Select+) and Type B (Cool Select Zone) models also turns off. The fridge temperature will be controlled under 15 °C, but the freezer remains active as previously set.</li> <li>To deactivate Vacation mode, press <b>Fridge</b> again. The fridge temperature will restore the 7 °C. Note that Type A (Cool Select+) and Type B (Cool Select zone) models return to the temperature settings of the fridge.</li> </ul> <p><b>(Type C models only)</b></p> <ul style="list-style-type: none"> <li>To activate Vacation mode, press and hold <b>Vacation</b> for 3 seconds. The Vacation On indicator turns on while the display of the fridge temperatures will turn off. The fridge temperature will be controlled under 15 °C, but the freezer remains active as previously set.</li> <li>To deactivate Vacation mode, press and hold <b>Vacation</b> again for 3 seconds. The fridge temperature will return to the previous setting.</li> </ul> <p> <b>NOTE</b></p> <p>It is strongly recommended to empty the fridge compartment and make sure the door is closed.</p> <p>For Cool Select+/Cool Select Zone models, Vacation mode is controlled under 15 °C just like the fridge settings. However, the relevant indicator turns off, depending on the model.</p>
-----------------	--

#### 04 Cool Select+ / Cool Select Zone

<p>Cool Select+ (TYPE A)</p>	<p>Press and hold <b>Cool Select+</b> for 3 seconds. Then, press again to select a desired mode. The corresponding indicator turns on.</p> <ul style="list-style-type: none"> <li><b>Fridge</b> If selected, the Cool Select Zone will be set to 3 °C.</li> <li><b>Soft Freeze</b> If selected, the Cool Select Zone will be set to -5 °C. This is useful to store meat and/or fishery for an extended time.</li> <li><b>Freezer</b> If selected, the Cool Select Zone will be set to -12 °C. This is useful to keep frozen vegetables for an extended time.</li> </ul>
----------------------------------	---

# Operations

Cool Select Zone (TYPE B)	<p>Press and hold <b>Cool Select Zone</b> for 3 seconds. Then, press again to select a desired mode. The corresponding indicator turns on.</p> <ul style="list-style-type: none"><li>• <b>Fridge</b> If selected, the Cool Select Zone will be set to 3 °C.</li><li>• <b>-1 °C Zone</b> If selected, the Cool Select Zone will be set to -1 °C. This is useful to store perishable foods.</li><li>• <b>Fast Cooling</b> Select this if you want to fast cool foods. The Cool Select Zone will cool foods at max speed for 60 minutes.</li></ul>
---------------------------	---

## 05 Door Alarm / Control Lock

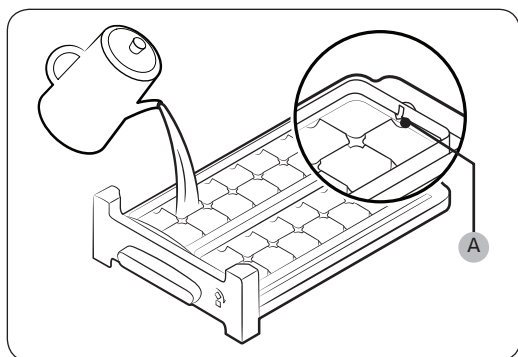
Door Alarm	<p>You can set the alarm for a reminder. If the door is left open for more than 2 minutes, the alarm will sound with the Alarm indicator blinking. You can toggle to enable and disable the alarm by pressing <b>Door Alarm</b>. The alarm is enabled by factory default.</p>
Control Lock	<p>To prevent accidental manipulation, press and hold <b>Door Alarm</b> for 3 seconds to activate the Control Lock. All controls will be disabled with the indicator (🔒) on.</p> <p>To deactivate, press and hold again for 3 seconds. The controls will be enabled as normal.</p>

## Special features

The actual image and special functions of your refrigerator may differ, depending on the model and the country.

### Ice making (applicable models only)

#### Twist ice maker



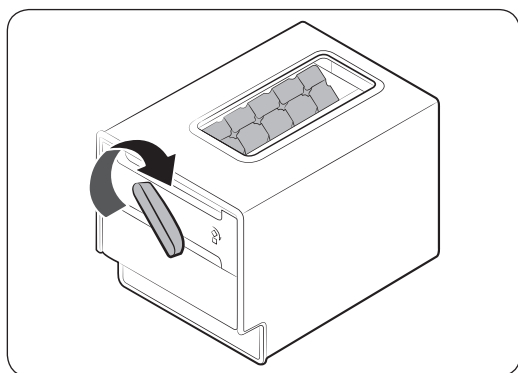
1. Open the freezer door, and slide open the ice tray.
2. Fill the tray with water up to the **maximum level (A)** marked on the inner rear of the tray.
3. Slide the tray back into position.

#### **NOTE**

The ice making time depends on your temperature settings.

#### **NOTE**

- Make sure the ice cube storage bin is in place under the ice tray.
- To dispense the ice cubes, turn the handle of the bin to the right to empty half of the ice cubes into the bin. Then, turn it to the left to empty the other half.
- Take out the bin by slightly twisting and pulling to the front.



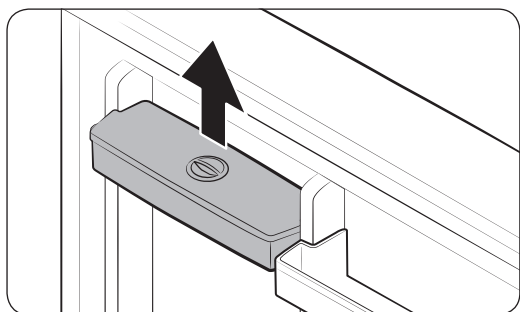
# Operations

## Water dispenser

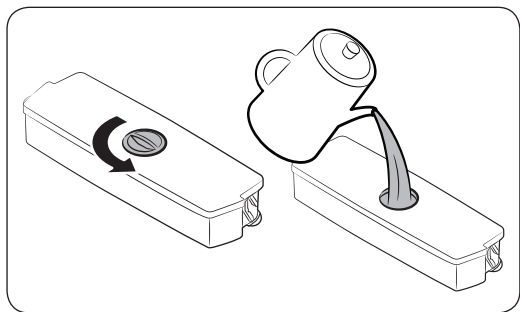
With the water dispenser, you can dispense water without opening the fridge door. The water tank must be filled with potable water before use.

### To fill the water tank with potable water

Open the door and locate the water tank that is located in the door shelf area.



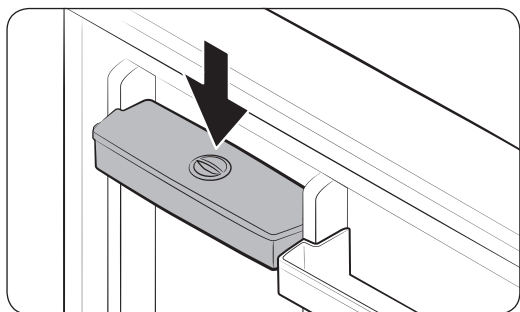
1. Hold the handgrips on both sides of the water tank and lift up to remove.



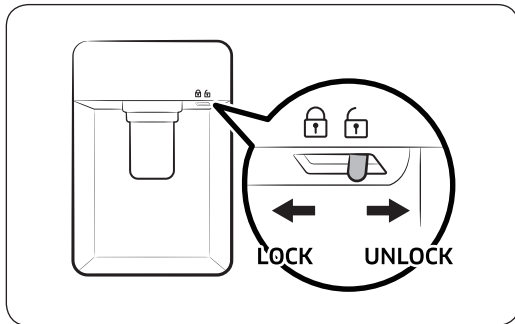
2. Fill the water tank with potable water up to 2.8 liters. You can remove either the top cap or the cover and pour water.

 **NOTE**

For first-time use, clean inside the water tank.



3. Reinsert the water tank and close the door. Make sure the water outlet of the water tank faces forward.



4. Put a water glass under the water outlet of the dispenser, and gently push the dispenser lever to dispense water. Make sure the water dispenser is unlocked.

**⚠ CAUTION**

- The water dispenser is designed to dispense potable water. Fill the water tank only with potable water. Do not fill with any other liquids.
- Do not fill the water tank excessively, which causes an overflow.
- Do not try to fill the water tank without removing it from the door.
- Make sure that water tank is seated properly.
- Do not use the refrigerator without the water tank. This may reduce performance and efficiency.
- To prevent water bouncing, make sure the glass is in line with the dispenser lever.

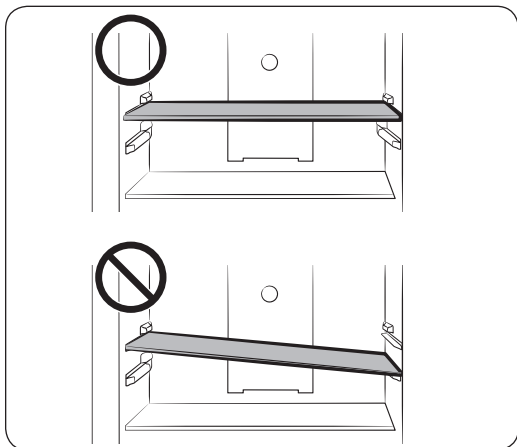
**📄 NOTE**

To secure more room, you can use the water tank to store food. In this case, remove the lid of the tank.

# Maintenance

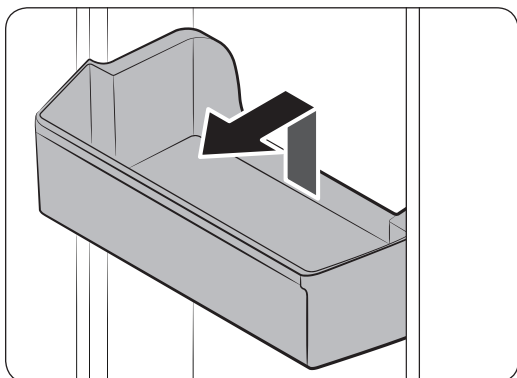
## Handle and care

### Freezer and fridge shelves



- To remove a shelf, first open the door completely. Pull the shelf forward, lift up, and then pull out.
- Do not attempt to tilt the shelf into position.

### Door bins



Slightly lift up and pull out the door bin.

**⚠ CAUTION**

To prevent accidents, empty the door bins before removing.



---

## Cleaning

Regularly use a dry cloth to remove all foreign substances such as dust or water from the power plug terminals and contact points.

1. Unplug the power cord of the refrigerator.
2. Use a moistened soft lint-free cloth or paper towel to clean the refrigerator's interior and exterior.
3. When done, use a dry cloth or paper towel to dry well.
4. Plug in the power cord of the refrigerator to turn the refrigerator on.

### NOTE

If you have removed any removable parts such as shelves for cleaning, refer to the overall layout in the What's included section to make sure you have reinserted correctly.

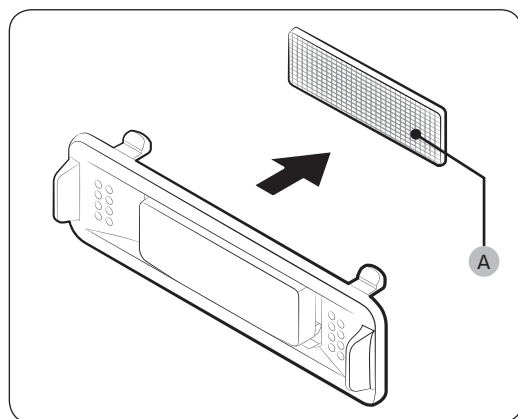
### WARNING

- Do not use benzene, thinner, or home/car detergent such as Clorox™ for cleaning purposes. They may damage the surface of the refrigerator and cause a fire.
- Do not spray water onto the refrigerator. This may cause electric shock.
- Do not put fingers or other objects into the dispenser hole.

---

## Replacement

### Deodorizer filter (applicable models only)



While holding the top and bottom sides of the filter case, unlock the filter case to reveal the **deodorizer filter (A)**. Replace the filter, and then reinsert the case.

### Lamps and anti-bacteria filter

Neither lamps nor the anti-bacteria filter are user-serviceable. Do not attempt to replace them yourself. To replace them, contact a local Samsung service centre.



# Troubleshooting

If you encounter an abnormal situation with the refrigerator, first check the table below and try the suggestions.

## General

Symptom	Action
Does not operate or cool.	<ul style="list-style-type: none"><li>• Make sure the power cord is connected properly.</li><li>• Make sure the temperature control is set correctly.</li><li>• Make sure to keep the refrigerator away from direct sunlight or a heat source. Failing to do so may affect the cooling performance.</li><li>• Make sure the refrigerator has enough room from the rear and side walls or the cabinet. Failing to do so may affect the cooling performance.</li><li>• Too much food may block the ventilation of the refrigerator. To keep the refrigerator in normal operation, do not put too much food inside.</li></ul>
Food in the fridge freezes.	<ul style="list-style-type: none"><li>• Check if the temperature control is set to the lowest temperature. If so, change the temperature to higher or optimal.</li><li>• This happens if the ambient temperature is too low. Set the temperature higher.</li><li>• Check if food containing a high portion of water is put in the coldest area of the fridge or near the cooling vent. If this happens, move the food to other shelves in the fridge.</li></ul>
Emits noises.	<ul style="list-style-type: none"><li>• Make sure the refrigerator is installed on a stable, flat surface.</li><li>• Make sure the refrigerator has enough room from the rear and side walls or the cabinet.</li><li>• Make sure to keep the refrigerator from impurities or foreign objects inside or underneath.</li><li>• The refrigerator may produce a ticking sound from inside, which occurs when the various removable parts contract or expand. This is not a system failure.</li></ul>



Symptom	Action
The front corners and sides become warm and form condensation.	<ul style="list-style-type: none"> <li>To prevent condensation from forming, the refrigerator has heat-proof piping in the front corners. If the ambient temperature rises, this equipment may not work effectively. This is not a system failure.</li> <li>Condensation may form on the exterior surface of the refrigerator if humid air comes into contact with the cool surface of the refrigerator.</li> </ul>
The ice maker does not make ice.	<ul style="list-style-type: none"> <li>You must wait for 12 hours until the refrigerator makes ice.</li> <li>Make sure the ice maker is not stopped while making ice.</li> <li>Make sure the freezer is set below 0 °C (or -5 °C in warm ambient air).</li> <li>Make sure the water tank is filled with water.</li> </ul>
The water dispenser is not functioning.	<ul style="list-style-type: none"> <li>Check if the water tank is frozen. If so, select a higher fridge temperature.</li> <li>Make sure the water tank is filled with water.</li> <li>Make sure the water tank is installed properly.</li> <li>Make sure the water filter is installed properly.</li> </ul>
Produces a bubbling sound.	<ul style="list-style-type: none"> <li>The refrigerator makes this sound during the cooling process, which is normal.</li> </ul>
A bad smell comes from inside the refrigerator.	<ul style="list-style-type: none"> <li>Check for any spoiled food. We recommend cleaning the refrigerator on a regular basis and remove any spoiled or suspect food items.</li> <li>Make sure strong smelling food is wrapped up airtight.</li> </ul>
Frost forms on the interior walls.	<ul style="list-style-type: none"> <li>Make sure no food blocks the vents of the refrigerator. It is also important to arrange food items evenly for ventilation.</li> <li>Make sure the door is closed properly.</li> </ul>
Condensation forms on the interior walls or around vegetables.	<ul style="list-style-type: none"> <li>This happens when food containing a high portion of water is stored uncovered, or the door has been left open for a while.</li> <li>Make sure food is covered or put in sealed containers.</li> </ul>

# Memo

---

# Memo

---

## Contact SAMSUNG WORLD WIDE

If you have any questions or comments relating to Samsung products, please contact the SAMSUNG customer care center.

Country	Contact Center	Web Site
INDIA	1800 40 SAMSUNG (1800 40 7267864) (Toll-Free)	<a href="http://www.samsung.com/in/support">www.samsung.com/in/support</a>
NEPAL	16600172667 (Toll Free for NTC Only) 9801572667	<a href="http://www.samsung.com/in/support">www.samsung.com/in/support</a>
BANGLADESH	09612300300 08000300300 (Toll free)	<a href="http://www.samsung.com/in/support">www.samsung.com/in/support</a>
SRI LANKA	+9411SAMSUNG (+94117267864)	<a href="http://www.samsung.com/in/support">www.samsung.com/in/support</a>

This Product is RoHS compliant



DA68-03370F-07

# रेफ्रिजरेटर

## उपयोगकर्ता मार्गदर्शिका

फ्री स्टैंडिंग उपकरण

**SAMSUNG**

# सामग्रियाँ

<b>सुरक्षा जानकारी</b>	<b>3</b>
महत्वपूर्ण सुरक्षा प्रतीक और सावधानियाँ:	5
परिवहन और साइट के लिए गंभीर चेतावनी चिह्न	5
महत्वपूर्ण स्थापना चेतावनियाँ	6
स्थापना सावधानियाँ	9
महत्वपूर्ण उपयोग चेतावनियाँ	10
उपयोग सावधानियाँ	14
सफाई सावधानियाँ	16
महत्वपूर्ण निपटान चेतावनियाँ	18
उचित उपयोग के लिए अतिरिक्त युक्तियाँ	19
यह उपकरण केवल घरेलू या इसी प्रकार के स्थानों पर उपयोग किए जाने के लिए बनाया गया है, जैसे कि WEEE के बारे में निर्देश	20
<b>स्थापना</b>	<b>21</b>
रेफ्रिजरेटर एक नज़र में	21
चरण-दर-चरण स्थापना	23
<b>परिचालन</b>	<b>29</b>
विशेषता पैनल	29
विशेष सुविधाएँ	35
<b>रखरखाव</b>	<b>38</b>
प्रबंधन और देखभाल	38
सफाई	39
प्रतिस्थापन	39
<b>समस्या-निवारण</b>	<b>40</b>
सामान्य	40

## सुरक्षा जानकारी

- अपना नया Samsung रेफ्रिजरेटर का उपयोग करने के पहले, कृपया इस मैनुअल को पूरी तरह पढ़ लें ताकि यह सुनिश्चित हो सके कि आपको उन सुविधाओं और फ़ंक्शन के संचालन के बारे में पता है जो आपका नया उपकरण सुरक्षित और दक्ष तरीके से पेश करता है।
- यह उपकरण क्षीण शारीरिक, संवेदक या मानसिक क्षमता वाले व्यक्तियों (बच्चों सहित) के, या उन व्यक्तियों के उपयोग हेतु नहीं बनाया गया है जिनमें अनुभव और ज्ञान की कमी हो, बशर्ते उन्हें उनकी सुरक्षा के लिए किसी जिम्मेदार व्यक्ति द्वारा पर्यवेक्षण, या उपकरण के उपयोग संबंधी निर्देश प्रदान किया गया हो।
- इस उपकरण का उपयोग 8 साल या उससे बड़े बच्चों तथा क्षीण शारीरिक, संवेदक या मानसिक क्षमताएँ या कम अनुभव एवं ज्ञान वाले व्यक्तियों द्वारा किया जा सकता है बशर्ते कि उन्हें उपकरण को सुरक्षित तरीके से उपयोग से जुड़े पर्यवेक्षण या निर्देश प्रदान किए गए हैं और वे इससे उत्पन्न खतरों को समझते हैं। बच्चों को उपकरण के साथ नहीं खेलने देना चाहिए। पर्यवेक्षण के बिना बच्चों को सफाई और उपयोगकर्ता रखरखाव नहीं करना चाहिए।
- इस नियम-पुस्तिका में चेतावनी एवं महत्वपूर्ण सुरक्षा निर्देशों में घटित हो सकने वाली सभी संभव परिस्थितियाँ तथा स्थितियाँ नहीं शामिल हैं। यह आपकी जिम्मेदारी है कि आप स्थापित, रखरखाव, तथा अपने उपकरण का संचालन करते समय सहज ज्ञान, सतर्कता एवं सावधानी का प्रयोग करें।
- चूँकि ये निम्नलिखित संचालन निर्देश विभिन्न मॉडल पर लागू होते हैं, इसलिए आपके रेफ्रिजरेटर की विशेषताएँ इस मार्गदर्शिका में वर्णित विशेषताओं से थोड़ी भिन्न हो सकती हैं और हो सकता है सभी चेतावनी चिह्न लागू न हों। अगर आपके कोई प्रश्न या शंकाएँ हैं, तो अपने निकटतम सर्विस सेंटर से संपर्क करें या [www.samsung.com](http://www.samsung.com) पर ऑनलाइन सहायता और जानकारी प्राप्त करें।
- रेफ्रिजरेट के रूप में R-600a या R-134a का उपयोग किया जाता है। आपके रेफ्रिजरेटर के लिए उपयोग किए गए रेफ्रिजरेट का पता लगाने के लिए उपकरण के पिछले हिस्से में कंप्रेसर लेबल या फ्रिज के अंदर रेटिंग लेबल देखें। चूँकि इस उत्पाद में ज्वलनशील गैस (रेफ्रिजरेट R-600a) मौजूद है, इसलिए इस उत्पाद के सुरक्षित निपटान के संबंध में स्थानीय प्राधिकरण से संपर्क करें।



## सुरक्षा जानकारी

- प्रशीतन सर्किट में रिसाव पाए जाने की स्थिति में ज्वलनशील गैस-वायु मिश्रण के निर्माण से बचने के लिए, उपकरण वाले कमरे का आकार प्रयुक्त प्रशीतक की मात्रा पर निर्भर हो सकता है।
- क्षति के लक्षण इंगित करने वाले उपकरण को कभी आरंभ न करें। अगर कोई शंका है, तो अपने डीलर से परामर्श लें। उपकरण के भीतर स्थित R-600a रेफ्रिजरेंट के प्रत्येक 8 ग्राम के लिए स्थान का आकार 1 मी<sup>3</sup> होना चाहिए। आपके व्यक्तिगत उपकरण में रेफ्रिजरेंट की मात्रा उपकरण के भीतर लगी पहचान प्लेट पर दिखाई गई है।
- पाइपों से फुहार के रूप में बाहर छलकने वाले रेफ्रिजरेंट के कारण आग लग सकती है या आँखों को चोट पहुँच सकती है। जब पाइप से रेफ्रिजरेंट रिस रहा हो, तो अनावृत ज्वाला से बचें और किसी भी ज्वलनशील पदार्थ को उत्पाद से दूर ले जाएँ और कमरे में तुरंत हवा का संचार करें।
  - ऐसा करने में विफल रहने पर आग लग सकती है या विस्फोट हो सकता है।
- अधिकृत सेवा कर्मचारी के अलावा अन्य व्यक्तियों के लिए इस उपकरण की मरम्मत करना जोखिमपूर्ण हो सकता है।



चेतावनी: आग लग सकती है/ज्वलनशील सामग्रियाँ







---

## महत्वपूर्ण सुरक्षा प्रतीक और सावधानियाँ:

---

### ⚠ चेतावनी

खतरे या असुरक्षित व्यवहार जिनसे गंभीर निजी चोट लग सकती है या मृत्यु हो सकती है।

### ⚠ सावधान

खतरे या असुरक्षित व्यवहार जिनसे हल्की निजी चोट लग सकती है या संपत्ति की क्षति हो सकती है।

**ये चेतावनी संकेत आपको और दूसरों को चोट लगने से बचाने के लिए यहाँ मौजूद हैं।**

कृपया उनका सावधानी से पालन करें।

इस खंड को पढ़ने के बाद, भावी संदर्भ के लिए उसे किसी सुरक्षित जगह पर रखें।

---

## परिवहन और साइट के लिए गंभीर चेतावनी चिह्न

---

### ⚠ चेतावनी

- उपकरण का परिवहन और स्थापना करते समय यह सुनिश्चित करने के लिए सावधानी बरती जानी चाहिए कि प्रशीतन सर्किट का कोई भाग क्षतिग्रस्त तो नहीं है।
  - पाइप से रिसने वाले रेफ्रिजरेंट से आग लग सकती है या आँखों को चोट पहुँच सकती है। यदि रिसाव का पता लगता है, तो अग्नि या प्रज्वलन के संभावित स्रोत से बचें और उपकरण वाले कमरे में कुछ समय तक हवा आने दें।
  - इस उपकरण में कम मात्रा में आइसोब्यूटेन रेफ्रिजरेंट (R-600a) शामिल होने पर भी यह गैस उच्च पर्यावरणीय संगतता वाली प्राकृतिक गैस है, यद्यपि यह ज्वलनशील भी होती है। उपकरण के स्थानांतरण एवं स्थापना के दौरान प्रशीतन सर्किट के किसी भी भाग का क्षतिग्रस्त न होना सुनिश्चित करने के लिए सावधानी बरतनी चाहिए।



# सुरक्षा जानकारी

## महत्वपूर्ण स्थापना चेतावनियाँ

### ⚠ चेतावनी

- रेफ्रिजरेटर को आर्द्रता वाले स्थान पर या किसी ऐसे स्थान पर स्थापित न करें जहाँ यह पानी के संपर्क में आ सकता हो।
  - विद्युतीय हिस्सों पर खराब विद्युत-रोधन के कारण बिजली के झटके या आग लग सकती है।
- इस रेफ्रिजरेटर को सीधे सूर्यप्रकाश में न रखें या इसे स्टोव, रूम हीटर या अन्य उपकरणों की गर्मी से दूर रखें।
- एकाधिक पावर स्ट्रिप में अनेक उपकरणों के प्लग न लगाएँ। रेफ्रिजरेटर का प्लग हमेशा अपने बिजली के आउटलेट में लगा होना चाहिए जिसकी वोल्टेज रेटिंग रेफ्रिजरेटर की रेटिंग प्लेट में सूचीबद्ध वोल्टेज से मेल खाती हो।
  - इससे सर्वश्रेष्ठ कार्य-निष्पादन मिलता है और इससे घर का वायरिंग सर्किट ओवरलोड होने से भी बचता है, जिससे अत्यधिक गर्म तारों से आग का खतरा हो सकता है।
- यदि दीवार का सॉकेट ढीला हो, तो उसमें पावर प्लग न लगाएँ।
  - इससे बिजली के झटके या आग का जोखिम होता है।
- ऐसे किसी बिजली की तार का उपयोग न करें जिसकी पूरी लंबाई या किसी छोर में दरारें या घर्षण क्षति नजर आ रही हो।
- बिजली के तार को अधिक न मोड़ें या इस पर भारी चीजें न रख दें।
- बिजली के तार को नहीं खींचें या बहुत अधिक नहीं मोड़ें
- बिजली के तार को मरोड़ें या बाँधें नहीं।
- बिजली के तार को धातु के पदार्थ पर न लटकाएँ, बिजली के तार पर कोई भारी पदार्थ न रखें, बिजली के तार को पदार्थों के बीच न डालें या बिजली के तार को उपकरण के पिछले हिस्से में न खींचें
- रेफ्रिजरेटर का स्थान बदलने के दौरान, बिजली के तार को क्षतिग्रस्त न होने दें।
  - इसके कारण बिजली का झटका या आग लग सकती है।

- अपने रेफ्रिजरेटर को बिजली की तार खींच कर कभी भी अनप्लग न करें। प्लग को हमेशा सख्ती से पकड़ें और आउटलेट से सीध में निकालें।
  - तार में क्षति के कारण शॉर्ट-सर्किट हो सकता है, आग और/या बिजली का झटका लग सकता है।
- इस उपकरण में विस्फोटक पदार्थों जैसे कि ऐरोसॉल के डिब्बे को ज्वलनशील प्रणोदक के साथ नहीं रखें।
- इस उपकरण को किसी हीटर या ज्वलनशील सामग्री के पास स्थापित न करें
- इस उपकरण को किसी ऐसे स्थान पर स्थापित न करें जहाँ गैस रिस सकती हो।
  - इसके कारण बिजली का झटका या आग लग सकती है।
- यह रेफ्रिजरेटर आपके द्वारा उपयोग होने के पहले इस पुस्तिका में दिए निर्देशों के अनुसार उचित तरीके से अवस्थित और स्थापित होना चाहिए।
- तार को नीचे लटकाकर बिजली के प्लग को उचित स्थिति में कनेक्ट करें।
  - अगर आप बिजली के प्लग को उल्टा लगाते हैं, तो तार कट सकता है और आग या बिजली का झटका लग सकता है।
- रेफ्रिजरेटर के पिछले हिस्से द्वारा बिजली के प्लग का कुचलना या क्षतिग्रस्त न होना सुनिश्चित करें।
- पैकिंग सामग्री को बच्चों की पहुँच से दूर रखें।
  - यदि कोई बच्चा/बच्ची अपने सिर पर पैकिंग सामग्री रख लेता/लेती है तो दम घुटने के कारण मृत्यु का खतरा होता है।
- उपकरण इस प्रकार रखना चाहिए कि स्थापना के बाद प्लग तक आसानी से पहुँचा जा सके।
  - ऐसा करने में विफल रहने पर बिजली के रिसाव के कारण बिजली का झटका या आग लग सकती है।
- इस उपकरण को किसी नम, तेलीय या धूलयुक्त स्थान, किसी ऐसे स्थान पर न रखें जहाँ सीधा सूर्यप्रकाश और पानी (वर्षा की बूंदों) आता हो।
  - विद्युतीय हिस्सों में खराब विद्युत-रोधन के कारण बिजली के झटके या आग लग सकती है।



## सुरक्षा जानकारी

- अगर रेफ्रिजरेटर में धूल या पानी है, तो बिजली के प्लग को निकाल दें और अपने Samsung इलेक्ट्रॉनिक्स सर्विस सेंटर से संपर्क करें।
  - अन्यथा, आग लगने का जोखिम बना रहता है।
- उपकरण के ऊपर खड़े न हों या उपकरण पर वस्तुएँ (जैसे धुलने वाले कपड़े, जली मोमबत्ती, जली सिगरेट, थालियाँ, रसायन, धातु की वस्तुएँ आदि) न रखें।
  - इससे बिजली का झटका, आग लग सकती है, उत्पाद में समस्याएँ हो सकती हैं या चोट लग सकती है।
- आरंभ में उत्पाद को प्लग इन करने के पहले सभी सुरक्षात्मक प्लास्टिक परत निकाल दी जानी चाहिए।
- बच्चों पर निगरानी रखी जानी चाहिए ताकि यह सुनिश्चित हो सके कि वे दरवाजा समायोजन के लिए प्रयुक्त स्रैप रिंग या वाटर ट्यूब क्लिप के साथ न खेलें।
  - यदि बच्चा स्रैप रिंग या वाटर ट्यूब क्लिप निगल जाता है तो दम घुटने से मौत का खतरा होता है। स्रैप रिंग या वाटर ट्यूब क्लिप को बच्चों की पहुँच से दूर रखें।
- रेफ्रिजरेटर सुरक्षित तरीके से ग्राउंड किया गया होना चाहिए।
  - कोई जाँच-पड़ताल या उपकरण के किसी हिस्से की मरम्मत का प्रयास करने के पहले हमेशा सुनिश्चित कर लें कि आपने रेफ्रिजरेटर को ग्राउंड कर लिया है। बिजली के लीकेज के कारण बिजली के गंभीर झटके लग सकते हैं।
- गैस पाइप, टेलीफोन लाइन, या अन्य संभावित बिजली-संवाहकों का उपयोग इलेक्ट्रिकल ग्राउंड की तरह कभी न करें।
  - बिजली लीकेज रोकने या रेफ्रिजरेटर से वर्तमान लीकेज के कारण बिजली के झटके से बचने के लिए आपको रेफ्रिजरेटर को ग्राउंड कर देना चाहिए।
  - इससे बिजली का झटका, आग लग सकती है, विस्फोट हो सकता है या उत्पाद में समस्याएँ हो सकती हैं।
- पावर प्लग को वॉल सॉकेट में ठीक से लगाएँ। खराब पावर प्लग, खराब पावर कॉर्ड या ढीले वॉल सॉकेट का उपयोग न करें।
  - इसके कारण बिजली का झटका या आग लग सकती है।



- अगर बिजली का तार क्षतिग्रस्त हो, तो इसे निर्माता या उसके किसी सर्विस एजेंट द्वारा तत्काल बदलवाएँ।
- रेफ्रिजरेटर पर लगा फ्यूज़ योग्य तकनीशियन या सर्विस कंपनी द्वारा ही बदला जाना चाहिए।
  - ऐसा करने में विफल रहने पर बिजली का झटका या निजी चोट लग सकती है।
- उपकरण को रखते समय सुनिश्चित करें कि बिजली की तार उलझे हुए या क्षतिग्रस्त नहीं हों।
- उपकरण के पीछे एक से अधिक पोर्टेबल सॉकेट वाले आउटलेट या पोर्टेबल पावर सप्लाई को नहीं होने चाहिए।

## स्थापना सावधानियाँ

### ⚠ सावधान

- रेफ्रिजरेटर के आसपास पर्याप्त स्थान छोड़ें और इसे सपाट सतह पर स्थापित करें।
  - उपकरण अंतः क्षेत्र या समन्वायोजन संरचना में मौजूद वायुसंचार स्थान में किसी भी तरह की रूकावटों को न आने दें।
- उपकरण की स्थापना के बाद खाद्य पदार्थ लोड करने और उपकरण को चालू करने से पहले 2 घंटे के लिए उसे खड़ा रखें।
- हम पुरजोर अनुशंसा करते हैं कि आप किसी योग्यता प्राप्त तकनीशियन या सर्विस कंपनी से रेफ्रिजरेटर स्थापित करवाएँ।
  - ऐसा करने में विफल रहने पर बिजली का झटका लग सकता है, आग लग सकती है, विस्फोट हो सकता है, उत्पाद में समस्याएँ हो सकती हैं या चोट लग सकती है।
- किसी भी एक दरवाज़े पर अधिक भार होने से रेफ्रिजरेटर गिर सकता है, जिसके कारण उसे क्षति पहुँच सकती है।

# सुरक्षा जानकारी

## महत्वपूर्ण उपयोग चेतावनियाँ

### ⚠ चेतावनी

- गीले हाथों से बिजली का प्लग बिजली के सॉकेट में नहीं लगाएँ।
  - इसके कारण बिजली का झटका लग सकता है।
- उपकरण के शीर्ष पर सामान न रखें।
  - जब आप दरवाजा खोलते या बंद करते हैं, तो सामान गिर सकते हैं तथा उससे व्यक्तिगत रूप से चोट लग सकती है और/या उपकरण क्षतिग्रस्त हो सकता है।
- हाथों, पैरों या धातु की वस्तुओं (जैसे चॉपस्टिक, आदि) को रेफ्रिजरेटर के निचले या पिछले भाग में न डालें।
  - इसके कारण बिजली का झटका या चोट लग सकती है।
  - किसी भी नुकीले किनारे से व्यक्तिगत रूप से चोट लग सकती है।
- गीले हाथों से फ्रीजर के अंदरूनी दीवारों या फ्रीजर में रखे उत्पादों को न छुएँ।
  - इससे शीतदंश हो सकता है।
- पानी से भरे पात्र को उपकरण पर न रखें।
  - इसके छलकने से आग या बिजली के झटके का खतरा हो सकता है।
- फ्रीज में अस्थिर या ज्वलनशील वस्तुओं या पदार्थों (बेन्ज़ीन, थिनर, प्रोपेन गैस, अल्कोहल ईथर, LP गैस और ऐसे अन्य उत्पाद) न रखें।
  - यह रेफ्रिजरेटर केवल भोजन के भंडारण के लिए है।
  - इसके कारण आग लग सकती है या विस्फोट हो सकता है।
- बच्चों की देखरेख की जानी चाहिए ताकि उनका उपकरण के साथ न खेलना सुनिश्चित किया जा सके।
  - उंगलियों को “पिंच-पॉइंट” क्षेत्रों से दूर रखें। दरवाज़ों और कैबिनेट के बीच का स्थान आवश्यक रूप से छोटा होता है। दरवाजा खोलते समय सावधान रहें यदि बच्चे आसपास हों।
- बच्चों को दरवाज़ा या दरवाज़ा पात्र से लटकने न दें। गंभीर चोट लग सकती है।
- बच्चों को रेफ्रिजरेटर के भीतर जाने नहीं दें। वे अंदर फंस सकते हैं।

- अपने हाथों को उपकरण के नीचे तल क्षेत्र में डालें।
  - किसी भी नुकीले किनारे से व्यक्तिगत चोट लग सकती है।
- रेफ्रिजरेटर में औषधीय उत्पादों, वैज्ञानिक सामग्रियाँ, या तापमान-संवेदी उत्पादों को न रखें।
  - ऐसे उत्पादों को रेफ्रिजरेटर में नहीं रखा जाना चाहिए जिनके लिए सख्त तापमान नियंत्रणों की आवश्यकता होती है।
- रेफ्रिजरेटर/फ्रीजर के अंदर बिजली के उपकरण को न रखें या उनका उपयोग न करें, बशर्ते वे निर्माता द्वारा अनुशंसित श्रेणी के हों।
- अगर आपको औषधि या धूँ की गंध आती है, तो तुरंत बिजली का प्लग निकाल दें और अपने Samsung इलेक्ट्रॉनिक्स सर्विस सेंटर से संपर्क करें।
- अगर रेफ्रिजरेटर में धूल या पानी है, तो बिजली के प्लग को निकाल दें और अपने Samsung इलेक्ट्रॉनिक्स सर्विस सेंटर से संपर्क करें।
  - अन्यथा, आग लगने का जोखिम बना रहता है।
- बच्चों को ड्रॉअर पर पैर रखने न दें।
  - ड्रॉअर टूट सकता है और वे फिसल सकते हैं।
- जब रेफ्रिजरेटर के पास कोई न हो तो उसके दरवाज़ों को खुला न छोड़ें और बच्चों को रेफ्रिजरेटर के भीतर प्रवेश न करने दें।
- शिशुओं और बच्चों को दराज के भीतर न जाने दें।
  - इसके कारण फंसने की वजह से दम घुटने से मृत्यु हो सकती है या निजी चोट लग सकती है।
- रेफ्रिजरेटर को खाद्य पदार्थों से ज्यादा न भर दें।
  - जब आप दरवाजा खोलते हैं, तो कोई सामान गिर सकता है तथा उससे व्यक्तिगत रूप से चोट लग सकती है या सामग्री क्षतिग्रस्त हो सकती है।
- उपकरण की सतह पर कीटनाशक जैसे ज्वलनशील पदार्थ का स्प्रे न करें।
  - मानवों के लिए खतरनाक होने के साथ-साथ, इसके परिणामस्वरूप बिजली का झटका, आग लग सकती है, या उत्पाद में समस्याएँ आ सकती हैं।
- किन्हीं तापमान संवेदी पदार्थों जैसे ज्वलनशील स्प्रे, ज्वलनशील वस्तुएँ, सूखी बर्फ, दवाई या रसायनों का उपयोग रेफ्रिजरेटर के पास न करें या उन्हें रेफ्रिजरेटर के अंदर न रखें।



## सुरक्षा जानकारी

- रेफ्रिजरेटर के अंदरूनी हिस्से को सूखाने के लिए हेयर ड्रायर का उपयोग न करें। दुर्गंध हटाने के लिए रेफ्रिजरेटर के अंदर जलती मोमबत्ती न रखें।
  - इसके कारण बिजली का झटका या आग लग सकती है।
- पानी की टंकी, बर्फ की ट्रे और पानी की क्यूब को केवल पीने योग्य पानी (मिनरल वॉटर या परिष्कृत पानी) से ही भरें।
  - टंकी में चाय, जूस या खेल संबंधी पेय-पदार्थ न भरें, इससे रेफ्रिजरेटर को क्षति पहुँच सकती है।
- उपकरण के ऊपर खड़े न हों या उपकरण पर वस्तुएँ (जैसे धुलने वाले कपड़े, जली मोमबत्ती, जली सिगरेट, थालियाँ, रसायन, धातु की वस्तुएँ आदि) न रखें। इससे बिजली का झटका, आग लग सकती है, उत्पाद में समस्याएँ हो सकती हैं या चोट लग सकती है। पानी से भरे पात्र को उपकरण पर न रखें।
  - इसके छलकने से आग या बिजली के झटके का खतरा हो सकता है।
- विहिमीकरण प्रक्रिया को तेज़ करने के लिए निर्माता द्वारा अनुशंसित मशीनी उपकरण या किसी दूसरे उपाय के अलावा किसी अन्य उपकरण या उपाय का उपयोग न करें।
- प्रशीतक सर्किट को क्षति न पहुँचाएँ।
- UV LED लैंप को लंबे समय तक सीधे न घूरें।
  - इससे पराबैंगनी किरणों के कारण आँखों को नुकसान हो सकता है।
- फ्रीज शेल्फ उल्टा न लगाएँ। शेल्फ स्टॉपर शायद काम न करे।
  - इससे काँच की शेल्फ के गिरने के कारण निजी चोट लग सकती है।
- उंगलियों को “पिंच-पॉइंट” क्षेत्रों से दूर रखें। दरवाज़ों और कैबिनेट के बीच का स्थान आवश्यक रूप से छोटा होता है। दरवाजा खोलते समय सावधान रहें यदि बच्चे आसपास हों।
- यदि गैस रिसाव का पता लगता है, तो अग्नि या प्रज्वलन के संभावित स्रोत से बचें और उपकरण वाले कमरे में कुछ समय तक हवा आने दें।
  - उपकरण या बिजली के तार को न छूएँ।
  - किसी हवादार पंखे का उपयोग न करें।
  - एक चिंगारी से विस्फोट या आग लग सकती है।
- केवल निर्माता या इसके सर्विस एजेंटों द्वारा प्रदान की गई LED लैंप का ही उपयोग करें।





- बोटलों को एकदम सटाकर रखना चाहिए ताकि वे गिर न जाएँ।
- यह उत्पाद घरेलू परिवेश में केवल खाद्य पदार्थ के भंडारण के लिए नियत है।
- स्वयं रेफ्रिजरेटर की मरम्मत, उसके पुर्जे खोलने या उसे रूपांतरित करने का प्रयास न करें।
  - अनधिकृत रूपांतरण से सुरक्षा संबंधी समस्याएँ हो सकती हैं। अनधिकृत रूपांतरण को पूर्णतया पलटने के लिए, हम पार्ट्स और श्रम की पूरी लागत लेंगे।
- मानक फ्यूज के अलावा किसी अन्य फ्यूज (जैसे ताँबे, स्टील के तार, आदि) का उपयोग न करें।
- यदि आपके रेफ्रिजरेटर को मरम्मत या पुनः स्थापित करने की जरूरत है, तो अपने निकटतम सर्विस सेंटर से संपर्क करें।
  - ऐसा करने में विफल रहने पर बिजली का झटका लग सकता है, आग लग सकती है, उत्पाद में समस्याएँ हो सकती हैं या चोट लग सकती है।
- यदि आंतरिक या बाहरी LED लैंप खराब हो जाता है, तो अपने निकटतम सर्विस सेंटर से संपर्क करें।
- यदि रेफ्रिजरेटर से जलने की गंध या धुआँ निकलता है, तो रेफ्रिजरेटर को तत्काल अनप्लग करें और अपने Samsung इलेक्ट्रॉनिक्स सर्विस सेंटर से संपर्क करें।
  - ऐसा करने में विफल रहने पर बिजली या आग के जोखिम हो सकते हैं।
- रेफ्रिजरेटर के अंदरूनी लैंप को बदलने से पहले पावर प्लग को सॉकेट से बाहर निकाल लें
  - अन्यथा, बिजली के झटके का जोखिम बना रहता है।
- यदि आपको गैर-LED लाइट बदलने में परेशानी होती है, तो Samsung सर्विस सेंटर से संपर्क करें।
- अगर उत्पाद में LED लैम्प लगे हैं, तो स्वयं लैंप कवर और LED लैम्प को न खोलें।
  - किसी Samsung सर्विस सेंटर से संपर्क करें।
- पावर प्लग को वॉल सॉकेट में ठीक से लगाएँ।
- खराब पावर प्लग, पावर कॉर्ड या ढीले वॉल सॉकेट का उपयोग न करें।
  - इसके कारण बिजली का झटका या आग लग सकती है।

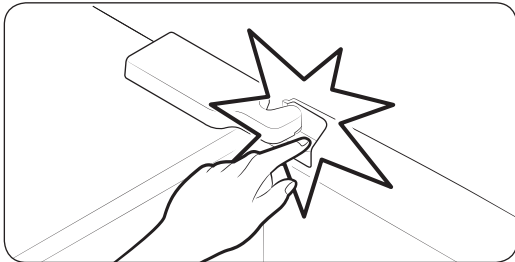
# सुरक्षा जानकारी

## उपयोग सावधानियाँ

### ⚠ सावधान

- उन जमे भोजनों को फिर न जमाएँ जो पूरी तरह पिघल चुके हैं। कार्बोनेट युक्त या गैस युक्त पेय पदार्थों को फ्रीजर कंपार्टमेंट में न रखें। बोतल या काँच के पात्रों को फ्रीजर में न रखें।
  - जब अंदर रखा पदार्थ जम जाता है, तो काँच टूट सकता है और निजी चोट लग सकती है।
- केवल रेफ्रिजरेटर के साथ प्रदान किए गए आइस मेकर का उपयोग करें।
- उत्पाद से सर्वश्रेष्ठ प्रदर्शन पाने के लिए:
  - खाद्य पदार्थ को रेफ्रिजरेटर के पिछले भाग में निकासों के बिल्कुल निकट न रखें क्योंकि इससे रेफ्रिजरेटर कंपार्टमेंट में स्वतंत्र वायु संचार बाधित हो सकता है।
  - भोजन को रेफ्रिजरेटर में रखने से पहले उचित तरीके से ढकें या किसी वायुरुद्ध पात्र में रखें।
  - ग्लास बोतल या कार्बोनेट किए गए पेय-पदार्थों को फ्रीजर में न रखें। वे जम सकते हैं और टूट सकते हैं। पेय पदार्थों के टूटे पात्रों के कारण चोट लग सकती है।
  - कृपया फ्रोजन सामानों के अधिकतम संग्रहण समय और समापन तिथियों का ध्यान रखें।
- ग्लास या बोतल या कार्बोनेट किए गए पेय-पदार्थों को फ्रीजर में न रखें।
  - पात्र जम या टूट सकता है और इससे चोट लग सकती है।
- कार्बोनेट युक्त या गैस युक्त पेय पदार्थों को फ्रीजर कंपार्टमेंट में न रखें। बोतल या काँच के पात्रों को फ्रीजर में न रखें।
  - जब अंदर रखा पदार्थ जम जाता है, तो काँच टूट सकता है और निजी चोट लग सकती है और संपत्ति को क्षति हो सकती है।

- सर्विस वारंटी और रूपांतरण।
  - इस तैयार उपकरण पर तृतीय पक्ष द्वारा किया गया कोई भी परिवर्तन या रूपांतरण Samsung वारंटी सेवा में शामिल नहीं होता है, और न ही तृतीय पक्ष के रूपांतरणों से होने वाली सुरक्षा समस्याओं के लिए Samsung जिम्मेदार है।
- रेफ्रिजरेटर के भीतर हवा के निकासी छिद्र अवरूद्ध न करें।
  - अगर वायु निकास अवरुद्ध हो जाते हैं, विशेष रूप से प्लास्टिक बैग से, तो रेफ्रिजरेटर आवश्यकता से अधिक ठंडा हो सकता है। अगर कूलिंग अवधि बहुत देर तक बनी रहती है, तो पानी का फ़िल्टर टूट सकता है और पानी रिस सकता है।
- केवल रेफ्रिजरेटर के साथ प्रदान किए गए आइस-मेकर का उपयोग करें।
- भीतर से अधिक नमी को पोंछ दें और दरवाज़ों को खुला छोड़ दें।
  - अन्यथा, दुर्गंध और फफूँद उत्पन्न हो सकती है।
- यदि रेफ्रिजरेटर को बिजली आपूर्ति से डिस्कनेक्ट कर दिया गया है, तो वापस प्लग इन करने के लिए आपको कम से कम पाँच मिनट तक प्रतीक्षा करना चाहिए।
- जब रेफ्रिजरेटर पानी से भीग जाए, तो बिजली के प्लग को निकाल दें और अपने Samsung इलेक्ट्रॉनिक्स सर्विस सेंटर से संपर्क करें।
- शीशे की सतह पर प्रहार न करें या अत्यधिक बल प्रयोग न करें।
  - टूटे काँच से निजी चोट और/या संपत्ति को क्षति हो सकती है।
- पानी की टंकी और आइस क्यूब ट्रे को केवल पीने योग्य पानी (टैप का पानी, मिनरल वाटर, या विशुद्ध पानी) से भरें।
  - टंकी को चाय या स्पोर्ट्स ड्रिंक से न भरें। इससे रेफ्रिजरेटर को नुकसान पहुँच सकता है।



- सावधान रहें कि यह आफकी उंगलियों पर न लगे।



## सुरक्षा जानकारी

- अगर फ्रीजर और रेफ्रिजरेटर के दरवाज़े 2 सेकंड या अधिक समय के लिए खुले छोड़े जाते हैं, तो फ्रीजर और रेफ्रिजरेटर की लैंप बंद की जा सकती है।
  - जब दरवाज़ों को बंद करके फिर से खोला जाएगा तो लैंप वापस जल जाएँगी।
- यदि रेफ्रिजरेटर में पानी भर गया है, तो अपने निकटतम सर्विस सेंटर से संपर्क करें।
  - इससे बिजली के झटके या आग का जोखिम होता है।
- वनस्पति तेल को अपने रेफ्रिजरेटर के डोर बिन में न रखें। इससे तेल जम सकता है, जिससे कि इसका स्वाद खराब हो जाता है और इसे उपयोग करने में परेशानी होती है। इसके अतिरिक्त, खुला हुआ कंटेनर लीक हो सकता है और लीक होने वाले तेल की वजह से डोर बिन में दरार आ सकती है। तेल का कंटेनर खोलने के बाद इसे किसी अलमारी या पेंटी जैसे किसी ठंडे और छायादार स्थान में रखना बहुत अच्छा रहता है
  - वनस्पति तेल के उदाहरणों निम्न शामिल हैं: जैतून का तेल, मक्के का तेल, अंगूर के बीज का तेल आदि

### सफ़ाई सावधानियाँ

#### ⚠ सावधान

- रेफ्रिजरेटर के अंदर या बाहर पानी का सीधा छिड़काव न करें।
  - इससे आग या बिजली के झटके का खतरा होता है।
- रेफ्रिजरेटर के अंदरूनी हिस्से को सूखाने के लिए हेयर ड्रायर का उपयोग न करें।
- दुर्गंध हटाने के लिए रेफ्रिजरेटर के अंदर जलती मोमबत्ती न रखें।
  - इसके कारण बिजली का झटका या आग लग सकती है।
- प्रदर्शन पर सफ़ाई उत्पादों को सीधे स्प्रे न करें।
  - प्रदर्शन पर लगे मुद्रित पत्र छूट सकते हैं।
- अगर कोई बाहरी पदार्थ जैसे पानी उपकरण में प्रवेश कर गया है, तो बिजली के प्लग को निकाल दें और अपने निकटतम सर्विस सेंटर से संपर्क करें।
  - ऐसा करने में विफल रहने पर बिजली का झटका या आग लग सकती है।



- बिजली के प्लग से किन्हीं बाहरी पदार्थ या धूल हटाने के लिए साफ़, सूखे कपड़े का उपयोग करें। प्लग साफ़ करते समय गीले या नम कपड़े का उपयोग नहीं करें।
  - अन्यथा, इससे आग या बिजली के झटके का खतरा होता है।
- उपकरण पर सीधे पानी का स्प्रे करके उसे साफ न करें।
- सफाई के लिए बेंजीन, थिनर, या क्लोरोक्स, क्लोराइड का उपयोग न करें।
  - वे उपकरण की सतह को क्षति पहुँचा सकते हैं और आग लगा सकते हैं।
- डिस्पेंसर के छिद्र में उंगलियाँ या अन्य वस्तुएँ कभी न डालें।
  - इससे निजी चोट लग या सामग्री की क्षति हो सकती है।
- सफाई या रखरखाव करने से पहले, उपकरण का प्लग दीवार के सॉकेट से निकाल दें।
  - ऐसा करने में विफल रहने पर बिजली का झटका या आग लग सकती है।
- रेफ्रिजरेटर को साफ़ करने के लिए किसी साफ़ स्पंज या कपड़े और गर्म पानी में गुनगुने डिटरजेंट का उपयोग कैसे करें
- बाहरी सतहों (दरवाज़े और कैबिनेट), प्लास्टिक के भाग, डोर व इंटीरियर लाइनर्स तथा गास्केट पर अपघर्षक या तेज़ क्लीनज़र जैसे कि विंडो स्प्रे, रगड़कर सफ़ाई करने वाले क्लीनज़र, ज्वलनशील द्रव पदार्थ, लवणीय तेज़ाब, क्लीनिंग वैक्स, गाढ़ा डिटरजेंट, ब्लीच या पेट्रोलियम उत्पादों वाले क्लीनज़र का उपयोग न करें
  - इससे सामग्री पर स्ट्रेच पड़ सकता है या वह खराब हो सकती है
- जब ग्लास शेल्फ़ या कवर ठंडे हों, तब उन्हें गर्म पानी से साफ़ न करें। अगर ग्लास शेल्फ़ और कवर अचानक से बदलते तापमान के संपर्क में आते हैं या कोई उछाल या गिरावट होती है, तो ये टूट सकते हैं

# सुरक्षा जानकारी

## महत्वपूर्ण निपटान चेतावनियाँ

### ⚠ चेतावनी

- कृपया इस उत्पाद की पैकेजिंग सामग्री का निपटान पर्यावरण-अनुकूल तरीके से करें।
- निपटान से पहले सुनिश्चित करें कि रेफ्रिजरेटर के पीछे लगा कोई भी पाइप क्षतिग्रस्त नहीं है।
- रेफ्रिजरेट के रूप में R-600a या R-134a का उपयोग किया जाता है। आपके रेफ्रिजरेटर के लिए उपयोग किए गए रेफ्रिजरेट का पता लगाने के लिए उपकरण के पिछले हिस्से में कंप्रेसर लेबल या फ्रिज के अंदर रेटिंग लेबल देखें। यदि इस रेफ्रिजरेटर में ज्वलनशील गैस (रेफ्रिजरेट R-600a) मौजूद है, तो इस उत्पाद के सुरक्षित निपटान के संबंध में अपने स्थानीय प्राधिकरण से संपर्क करें।
- इस रेफ्रिजरेटर का निपटान करते समय, दरवाज़ा/दरवाज़ा की सील, दरवाज़ा की सिटकनी निकाल दें ताकि छोटे बच्चे या जानवर इसके अंदर न फँस जाएँ। बच्चों की देखरेख की जानी चाहिए ताकि उनका उपकरण के साथ न खेलना सुनिश्चित किया जा सके। अंदर फँस जाने पर, बच्चों को चोट लग सकती है या दम घुटने से मृत्यु हो सकती है।
  - अंदर फँसने पर बच्चों को चोट लग सकती है और दम घुटने से मृत्यु हो सकती है।
- रोधन में साइक्लोपेंटेन का उपयोग होता है। रोधन सामग्री में मौजूद गैसों के लिए विशेष निपटान प्रक्रिया की आवश्यकता होती है। इस उत्पाद के पर्यावरण की दृष्टि से सुरक्षित निपटान के संबंध में अपने स्थानीय प्राधिकरणों से संपर्क करें।
- सभी पैकेजिंग सामग्रियों को बच्चों की पहुँच से दूर रखें, क्योंकि पैकेजिंग सामग्रियाँ बच्चों के लिए खतरनाक हो सकती हैं।
  - यदि कोई बच्चा अपने सिर पर बैग रख लेता है, तो बच्चे का दम घुट सकता है।

## उचित उपयोग के लिए अतिरिक्त युक्तियाँ

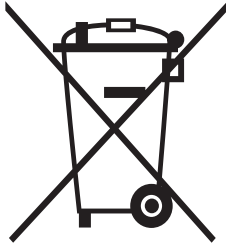
- बिजली चले जाने की स्थिति में, अपनी बिजली कंपनी के स्थानीय कार्यालय को कॉल करें और पूछें कि बिजली कब तक आएगी।
  - एक या दो घंटों में सुधार ली जाने वाली अधिकतर बिजली खराबियाँ आपके रेफ्रिजरेटर तापमानों को प्रभावित नहीं करेंगी। हालाँकि, बिजली न होने पर आपको दरवाज़ा बार-बार नहीं खोलना चाहिए।
  - लेकिन अगर बिजली 24 घंटे से अधिक समय तक नहीं आती है, तो सभी फ़्रोजन खाद्य पदार्थों को निकालें और फेंक दें।
- रेफ्रिजरेटर संभवतः लगातार काम न कर सके (फ़्रोजन सामग्रियों में गरमाहट आ सकती है या फ़्रोजन कंपार्टमेंट में तापमान बहुत गर्म हो सकता है) यदि इसे किसी ऐसे स्थान पर लंबे समय के लिए रखा जाए जहाँ का परिवेशी वायु तापमान उस तापमान से लगातार कम हो जिसमें काम करने के लिए इस उपकरण को तैयार किया गया है।
- विशेष खाद्य पदार्थों के मामले में, उन्हें प्रशीतन के तहत रखने से उनके गुणों के संरक्षण पर बुरा असर हो सकता है।
- आपका उपकरण तुषार मुक्त है, जिसका अर्थ है कि अपने उपकरण को मैनुअल रूप से विहिमीकृत करने की आवश्यकता नहीं है। यह स्वचालित रूप से हो जाएगा।
- विहिमीकरण के दौरान तापमान में बढ़ोतरी ISO अपेक्षाओं का अनुपालन करती है। अगर आप उपकरण के विहिमीकरण के दौरान फ़्रोजन खाद्य पदार्थ के तापमान में अनावश्यक वृद्धि से बचना चाहते हैं, तो फ़्रोजन खाद्य पदार्थ को समाचारपत्र की कई परतों में लपेट दें।
- उन जमे भोजनों को फिर न जमाएँ जो पूरी तरह पिघल चुके हैं।
- दो सितारा अनुभाग (अनुभागों) या ऐसे कंपार्टमेंट का तापमान, जिनमें दो सितारा प्रतीक (\*\*) बना हुआ हो, अन्य फ़्रीज़र कंपार्टमेंट से कुछ अधिक होता है।  
दो सितारा खंड या कंपार्टमेंट निर्देश पर और/या सुपुर्द करते समय की स्थिति पर आधारित होते हैं।

# सुरक्षा जानकारी

यह उपकरण केवल घरेलू या इसी प्रकार के स्थानों पर उपयोग किए जाने के लिए बनाया गया है, जैसे कि

- दुकानों, कार्यालयों और अन्य कार्यस्थलों में कर्मचारियों के लिए बने रसोईघरों में;
- फ़ार्म हाउस में और होटलों, मोटलों और अन्य आवासीय स्थानों पर क्लाइंट द्वारा;
- विश्राम और खान-पान वाले परिवेश में;
- केटरिंग और इसी प्रकार के गैर-खुदरा स्थानों पर।

## WEEE के बारे में निर्देश



इस उत्पाद का सही निपटान (अपशिष्ट इलेक्ट्रिकल एवं इलेक्ट्रॉनिक उपकरण) (पृथक संग्रहण प्रणालियों वाले देशों में लागू)

इस उत्पाद, सहायक उपकरणों या इसके दस्तावेजों पर स्थित चिह्नांकन दर्शाता है कि इस उत्पाद, इसके इलेक्ट्रॉनिक सहायक उपकरणों (जैसे चार्जर, हैंडसेट, USB केबल) का जीवनकाल समाप्त होने पर उनका निपटान अन्य घरेलू कचरे के साथ नहीं किया जाना चाहिए। अनियंत्रित अपशिष्ट निपटान से पर्यावरण और मनुष्यों को होने वाले नुकसान को रोकने के लिए, कृपया इन आइटम को अन्य प्रकार के कचरे से अलग कर दें और सामग्री संसाधनों के दीर्घकालिक पुनः उपयोग को बढ़ावा देने के लिए उन्हें ज़िम्मेदारी से रिसाइकल करें। सुरक्षित निपटान और रिसाइकल करने के बारे में अधिक जानकारी के लिए हमारी वेबसाइट [www.samsung.com/in/support](http://www.samsung.com/in/support) पर जाएँ या नीचे दिए हमारे हेल्पलाइन नंबर - 1800 40 SAMSUNG (1800 40 7267864) पर संपर्क करें।



## स्थापना

इस रेफ्रिजरेटर की उचित स्थापना और इसके उपयोग से पहले दुर्घटनाओं की रोकथाम सुनिश्चित करने के लिए इन निर्देशों का ध्यानपूर्वक पालन करें।

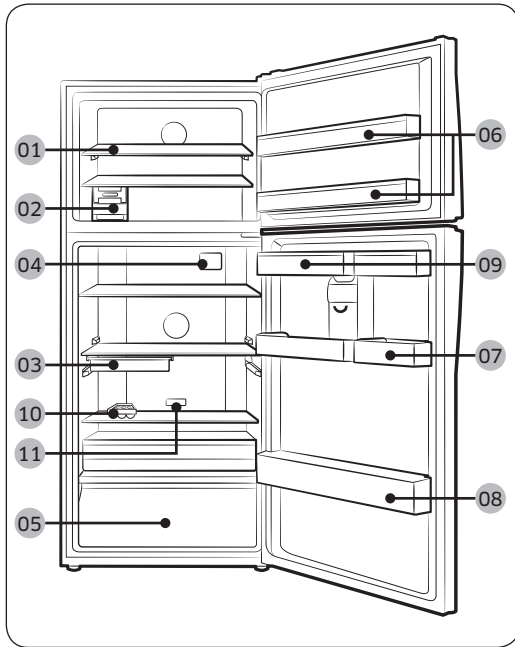
### ⚠ चेतावनी

- रेफ्रिजरेटर का उपयोग इस निर्देश पुस्तिका में वर्णित नियत उद्देश्य के लिए ही करें।
- किसी भी प्रकार की सर्विसिंग केवल योग्यता-प्राप्त तकनीशियनों द्वारा की जानी चाहिए।
- उत्पाद पैकेजिंग सामग्रियों का निपटान स्थानीय विनियमों के अनुसार करें।

## रेफ्रिजरेटर एक नज़र में

### 📖 नोट

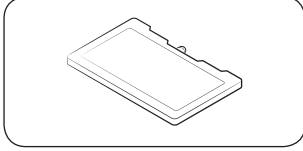
वास्तविक छवि और प्रदान किए गए रेफ्रिजरेटर के संघटक हिस्से, मॉडल और देश के अनुसार भिन्न हो सकते हैं।



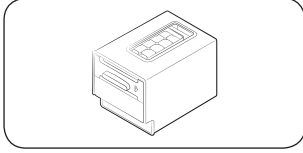
- 01 शेल्फ़-फ्रीजर
  - 02 आइस मेकर
  - 03 बेहतरीन बिन \*
  - 04 जीवाणुरोधी संरक्षक \*
  - 05 सब्जी बॉक्स \*
  - 06 फ्रीज़र बिन
  - 07 वैरायटी बिन
  - 08 बॉटल बिन
  - 09 टंकी का पानी \*
  - 10 एग बिन
  - 11 डीयोडोराइज़र \*
- \* केवल उपयुक्त मॉडल

# स्थापना

## वैकल्पिक सहायक उपकरण \*



**कूल पैक:** यह रेफ्रिजरेटर को ठंडा रखने में मदद करता है।



**ट्विस्ट आइस मेकर:** बर्फ बनाने के लिए प्रयुक्त।

\* आपके रेफ्रिजरेटर में ऊपर सूचीबद्ध वैकल्पिक सहायक उपकरण संभवतः शामिल न हों। वैकल्पिक सहायक उपकरणों का प्रावधान मॉडल और देश पर निर्भर करता है।

## फ्रीजर कंपार्टमेंट में भंडारण के लिए अधिक जगह सुरक्षित करने के लिए

ऊपरी शेल्फ को निकालें, जिसे बिना किसी उपकरण के मैनुअली अलग किया जा सकता है।

- ऊपरी शेल्फ को निकालने से फ्रीजर के ऊष्मीय और यांत्रिक प्रदर्शन पर प्रभाव नहीं पड़ता है।
- दोनों आइस मेकर्स को निकालने के लिए, पहले दाएँ वाले को निकालें (आइस मैक्स मॉडलों पर लागू)।
- सर्वश्रेष्ठ ऊर्जा दक्षता के लिए, सुनिश्चित करें कि सभी शेल्फ, ड्रॉअर, और बास्केट अपने मूल स्थान पर लगे हों।

## चरण-दर-चरण स्थापना

### चरण 1 कोई एक साइट चुनें

#### स्थान की आवश्यकताएँ:

- ठोस, समतल सतह बगैर किसी प्रकार के कार्पेट या फ्लोरिंग के जो कि वेंटिलेशन को बाधित कर सकते हैं
- सीधी धूप से दूर
- दरवाज़ा खोलने और बंद करने के लिए पर्याप्त जगह
- गर्मी के स्रोत से दूर
- रख-रखाव और सर्विसिंग के लिए जगह
- तापमान सीमा: 10 °C से 43 °C के बीच

#### प्रभावी तापमान सीमा

रेफ्रिजरेटर को इस प्रकार डिज़ाइन किया गया है कि यह अपनी श्रेणी रेटिंग में निर्दिष्ट तापमान सीमा में सामान्य रूप से काम करे।

श्रेणी	प्रतीक	परिवेशी तापमान सीमा (°C)	
		IEC 62552 (ISO 15502)	ISO 8561
विस्तृत परिमित	SN	+10 से +32 तक	+10 से +32 तक
परिमित	N	+16 से +32 तक	+16 से +32 तक
उपोष्णकटिबंधीय	ST	+16 से +38 तक	+18 से +38 तक
उष्णकटिबंधीय	T	+16 से +43 तक	+18 से +43 तक

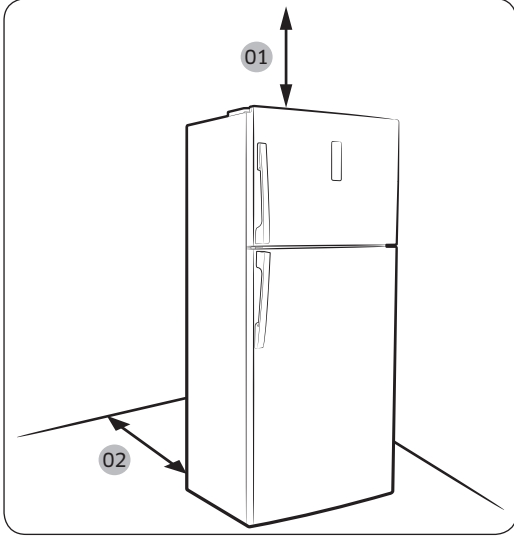
#### 📌 नोट

रेफ्रिजरेटर का कूलिंग प्रदर्शन और बिजली उपभोग परिवेशी तापमान, दरवाज़ा खुलने की आवृत्ति, रेफ्रिजरेटर के स्थान से प्रभावित हो सकता है। हम तापमान सेटिंग को उपयुक्ततानुसार समायोजित करने की अनुशंसा करते हैं।

# स्थापना

## क्लीयरेंस

स्थापना के लिए स्थान की आवश्यकताओं के बारे में जानने के लिए नीचे प्रदान चित्र और तालिका देखें।



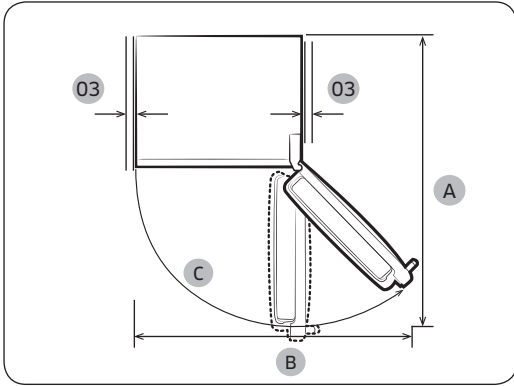
मॉडल	A	B	C
RT58	1507	1352	120□
RT62	1507	1352	120□

(इकाई: मिमी)

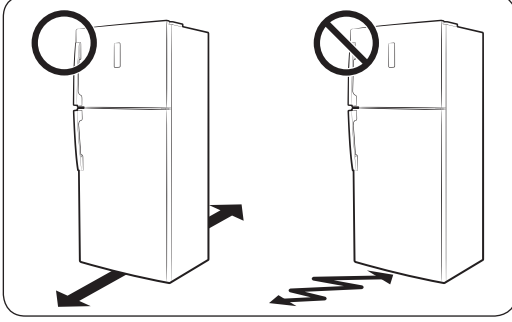
01 100 मिमी

02 50 मिमी

03 कम से कम 50 मिमी



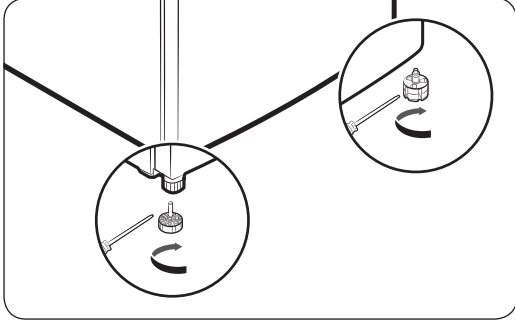
## चरण 2 सतह



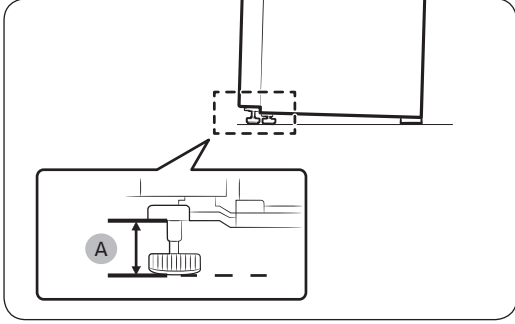
- जिस सतह पर रेफ्रिजरेटर को रखा जाएगा, वह पूरी तरह से लोड किए गए या लगभग 100 किलो के रेफ्रिजरेटर का भार संभालने योग्य होनी चाहिए।
- फर्श की सुरक्षा के लिए, रेफ्रिजरेटर के प्रत्येक पाँव के नीचे कार्डबोर्ड का एक बड़ा टुकड़ा रख दें।
- रेफ्रिजरेटर के अपने अंतिम स्थान पर आ जाने के बाद, इसे तब तक न हिलाएँ जब तक फर्श की सुरक्षा के लिए ऐसा करना आवश्यक न हो। यदि आपको ऐसा करना पड़े, तो स्थानांतरण पथ पर मोटे कागज़ या कपड़े जैसे कि पुराने कार्पेट का उपयोग करें।

# स्थापना

## चरण 3 समतलीकरण पाया को समायोजित करें



समतलीकरण पाया को मैन्युअली समायोजित करके रेफ्रिजरेटर को समतल करें। स्थान नीचे करने के लिए समतलीकरण पाया को घड़ी की सुई की दिशा में घुमाएँ, या उठाने के लिए घड़ी की सुई की दिशा के विपरीत घुमाएँ।

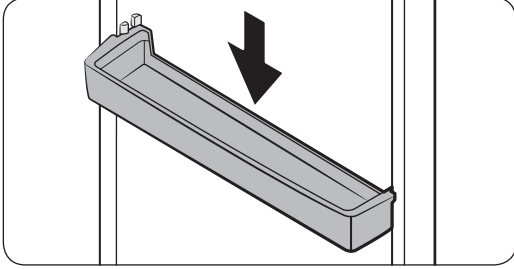


सतह से पाए को कम से कम 35 मिमी (A) दूर रहने दें जैसा कि दिखाया गया है।

#### चरण 4 अनपैक करें और सहायक पुर्जों को सही जगह लगाएँ (केवल उपयुक्त मॉडल)

इस रेफ्रिजरेटर के साथ भेजे जाने वाले सहायक पुर्जे स्थानान्तरण और सुरक्षा कारणों से सही तरीके से पैक किए गए हैं। उन सहायक पुर्जों को पैकिंग से निकालें और सही जगह पर लगाएँ।

##### डोर बिन

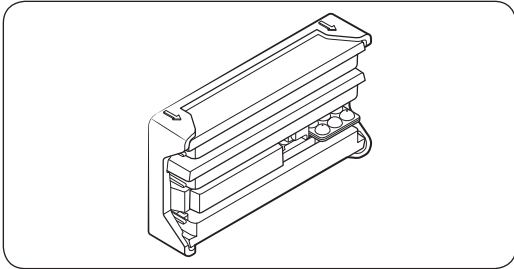


उत्पाद के साथ डोर बिन प्रदान किए जाते हैं। डोर बिन को फ्रीज़र और फ्रिज़ दोनों में लगाएँ।

अगर आप एग ट्रे का उपयोग करना चाहते हैं, तो सुनिश्चित करें कि इसे फ्रिज़ में रखा जाए या डोर बिन में रखा जाए।

##### ⓘ ध्यान दें

डोर बिन को डोर में लगाते समय उन्हें जोर से दबाएँ।



# स्थापना

## चरण 5 आरंभिक सेटिंग

निम्न चरणों को पूरा करने पर, रेफ्रिजरेटर पूरी तरह से संचालनीय हो जाना चाहिए।

1. रेफ्रिजरेटर को चालू करने के लिए बिजली के प्लग को दीवार पर लगे सॉकेट में लगाएँ।
2. दरवाज़ा खोलें, और देखें कि अंदरूनी लाइट जले हैं या नहीं।
3. तापमान को सबसे ठंडे तापमान पर सेट करें, और लगभग एक घंटे तक प्रतीक्षा करें। फिर, फ्रिज़र थोड़ा ठंडा हो जाएगा और मोटर आराम से चलने लगेगी।
4. रेफ्रिजरेटर के तय तापमान पर पहुँचने तक प्रतीक्षा करें। अब रेफ्रिजरेटर उपयोग के लिए तैयार है।

## चरण 6 अंतिम जाँच

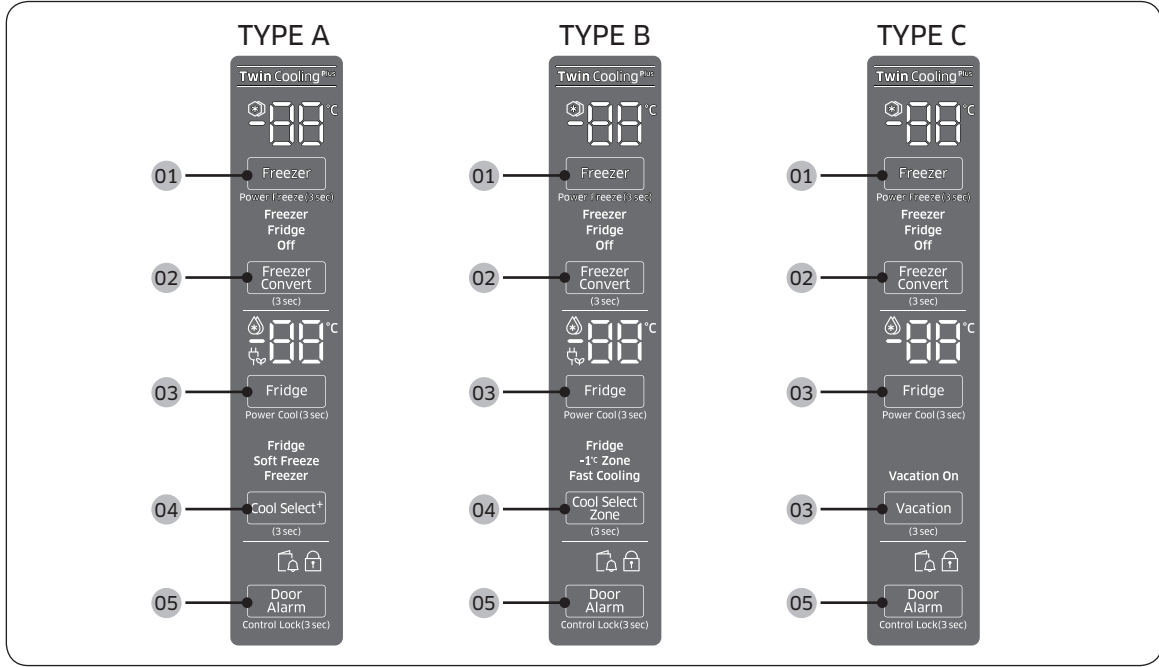
स्थापना पूरी हो जाने पर, पुष्टि करें कि:

- रेफ्रिजरेटर का प्लग बिजली के आउटलेट में लगा हो और रेफ्रिजरेटर उचित ढंग से ग्राउंड किया गया हो।
- रेफ्रिजरेटर सपाट, समतल सतह पर स्थापित हो तथा दीवार या कैबिनेट से पर्याप्त दूरी पर हो।
- रेफ्रिजरेटर समतल हो और फर्श पर मज़बूती से स्थापित हो।
- दरवाज़ा बिना रोक टोक खुलता और बंद होता हो, दरवाज़ा खुलने पर अंदरूनी लाइट स्वचालित रूप से जल जाते हैं।



# परिचालन

## विशेषता पैनल



01 Freezer (फ्रीजर) / Power Freeze (पावर फ्रीज)

02 Freezer Convert (फ्रीजर कन्वर्ट)

03 Fridge (फ्रिज) / Power Cool (पावर कूल) / Vacation (अवकाश)

04 Cool Select+ (ठंडा चयन+) / Cool Select Zone (ठंडा चयन क्षेत्र) (केवल टाइप ए और टाइप बी मॉडलों के लिए)

05 Door Alarm (दरवाजे का अलार्म) / Control Lock (नियंत्रण लॉक)

# परिचालन

## 01 फ्रीजर / पावर फ्रीज

Freezer (फ्रीजर)	<p>Freezer (फ्रीजर) बटन का उपयोग फ्रीजर तापमान को सेट करने के लिए किया जा सकता है।</p> <p>उपलब्ध तापमान -15 °C से -23 °C के बीच है।</p> <p><b>⚠ सावधानी</b></p> <ul style="list-style-type: none"><li>• सिस्टम या खाद्य पदार्थ खराब होने से बचाने के लिए, गर्मी (35 °C से ऊपर) के दौरान तापमान को -15 °C पर सेट नहीं करें।</li><li>• फ्रीजर में किसी द्रव्य से भरे काँच की बोतल को नहीं रखें। काँच की बोतल में द्रव्य जमने पर दरार उत्पन्न हो जाएगी है और यह टूट जाएगी।</li></ul>
Power Freeze (पावर फ्रीज)	<p>Power Freeze (पावर फ्रीज) पंखे की अधिकतम गति पर जमने की प्रक्रिया को तेज़ कर देता है। फ्रीजर कई घंटों तक पूरी गति से चलता रहता है और फिर पिछले तापमान पर लौट जाता है।</p> <ul style="list-style-type: none"><li>• Power Freeze (पावर फ्रीज) को सक्रिय करने के लिए, Freezer (फ्रीजर) को दबाएँ और 3 सेकेंड तक रोक कर रखें। अनुकूल संकेतक (⊗) जल जाता है, और रेफ्रिजरेटर कूलिंग प्रक्रिया को तेज़ कर देता है।</li><li>• निष्क्रिय करने के लिए, Freezer (फ्रीजर) को पुनः दबाएँ और 3 सेकेंड तक रोक कर रखें। फ्रीजर पिछली तापमान सेटिंग पर लौट जाता है।</li><li>• ज्यादा खाद्य पदार्थों को ठंडा रखने के लिए, खाद्य पदार्थ को फ्रीजर में रखने से पहले Power Freeze (पावर फ्रीज) को कम से कम 20 घंटे तक सक्रिय रखें।</li><li>• फ्रीजर 50 घंटा तक पूरी गति से चलता रहता है और फिर पिछले तापमान पर लौट जाता है।</li></ul> <p><b>📖 नोट</b></p> <p>Power Freeze (पावर फ्रीज) का उपयोग करने से बिजली की खपत बढ़ जाती है। यदि आपका इसका उपयोग करने का इरादा नहीं है तो इसे ऑफ करना और पिछले तापमान पर लौटना सुनिश्चित करें।</p>

## 02 फ्रीजर कन्वर्ट

<p>Freezer Convert (फ्रीजर कन्वर्ट)</p>	<p>आप Fridge (फ्रिज) मोड के साथ पूरे रेफ्रिजरेटर का उपयोग कर सकते हैं, या फ्रीजर को ऑफ कर सकते हैं।</p> <p>डिफॉल्ट फ्रीजर मोड बदलने के लिए, चयन मोड में प्रवेश करने के लिए Freezer Convert (फ्रीजर कन्वर्ट) दबाएँ और 3 सेकेंड के लिए रोक कर रखें। फिर, वांछित मोड चुनने के लिए Freezer Convert (फ्रीजर कन्वर्ट) दबाएँ।</p> <p>मोड निम्न क्रम में बदल जाता है: Fridge (फ्रिज) → Off (ऑफ) → Freezer (फ्रीजर) → Off (ऑफ) → Fridge (फ्रिज) सेटिंग मोड।</p> <ul style="list-style-type: none"><li>• यदि आप Fridge (फ्रिज) चुनते हैं, तो फ्रिज संकेतक जल जाता है। Power Freeze (पावर फ्रीज) निष्क्रिय हो जाएगा यदि सक्रिय हो, और Ice On (आइस ऑन) ऑफ हो जाएगा यदि सक्षम हो।</li><li>• यदि आप Off (ऑफ) चुनते हैं, तो ऑफ संकेतक जल जाता है। फ्रीजर ऑफ हो जाएगा।</li><li>• अगर आप फ्रीजर का चयन करते हैं, तो फ्रीजर संकेतक आपके चयन के लिए चालू हो जाएगा।</li></ul> <p>आपके द्वारा किए गए परिवर्तन 10 सेकेंड के बाद सेट कर दिए जाएँगे और सक्रिय कर दिए जाएँगे। मोड को रद्द करने या फिर से बदलने के लिए, Freezer Convert (फ्रीजर कन्वर्ट) को फिर से दबाएँ और 3 सेकेंड तक रोक कर रहें। फिर, ऊपर बताए गए निर्देशों का अनुसरण करें।</p> <p><b>📌 नोट</b></p> <ul style="list-style-type: none"><li>• यदि आप Freezer Convert (फ्रीजर कन्वर्ट) को दबाकर 3 सेकेंड तक रोके रहते हैं, तो रेफ्रिजरेटर चयन मोड में परिवर्तित हो जाता है जहाँ आप Freezer Convert (फ्रीजर कन्वर्ट) दबाकर किसी अलग मोड को चुन सकते हैं।</li><li>• जब रेफ्रिजरेशन या फ्रीजिंग फंक्शन 'Off (ऑफ) मोड' पर हो, तो कम बिजली का उपयोग करके, फूँद और दुर्गंध को रोकने के लिए फ्रीज या फ्रीजर का तापमान 15 °C से कम पर बना रहता है।</li><li>• फ्रिज या फ्रीजर को अलग-अलग ऑफ नहीं किया जा सकता है।</li><li>• रेफ्रिजरेशन या फ्रीजिंग फंक्शन के 'Off (ऑफ) मोड' पर होने पर खाद्य या पेय पदार्थों को रेफ्रिजरेटर में न रखें। नुकसान को रोकने के लिए 15 °C पर्याप्त ठंडा नहीं होता है।</li></ul>
---	---

### ⚠ चेतावनी

- फ्रीजर में किसी द्रव्य से भरे काँच की बोतल को नहीं रखें। Freezer Convert (फ्रीजर कन्वर्ट) रद्द करते समय, शीशे की बोतलें फ्रीजर में टूट सकती हैं या फट सकती हैं।
- Freezer Convert (फ्रीजर कन्वर्ट) सक्षम करने से पहले फ्रीजर से फ्रोजन खाद्य पदार्थ निकाल लेना सुनिश्चित करें। फ्रोजन खाद्य पदार्थ तापमान बढ़ जाने पर गल जाते हैं और खराब हो जाते हैं (Freezer (फ्रीजर) मोड परिवर्तित होकर Fridge (फ्रिज) मोड हो जाता है)।

# परिचालन

- Freezer Convert (फ्रीजर कन्वर्ट) अक्षम करने से पहले फ्रीजर से ठंडे खाद्य पदार्थों को निकाल लेना सुनिश्चित करें। तापमान बढ़ने पर ठंडे खाद्य पदार्थ जम सकते हैं (Fridge (फ्रिज) मोड परिवर्तित होकर Freezer (फ्रीजर) मोड हो जाता है)।


## 📌 नोट

Freezer Convert (फ्रीजर कन्वर्ट) का उपयोग करना चाहते हैं, तो इसकी पुरजोर अनुशंसा की जाती है कि खाद्य पदार्थ रखने के लिए प्लास्टिक के डब्बों का उपयोग करें, विशेषकर सब्जियों के लिए।

## 03 फ्रिज / पावर कूल / अवकाश

Fridge (फ्रिज)	<p>फ्रिज तापमान समायोजित करने के लिए, अनुकूल तापमान चुनने के लिए Fridge (फ्रिज) दबाएँ। आप 1 °C और 7 °C के बीच तापमान सेट कर सकते हैं।</p> <p>⚠️ <b>सावधानी</b></p> <ul style="list-style-type: none"><li>सर्दी के मौसम, तापमान नियंत्रण 1 °C पर सेट नहीं करें। इससे कूलिंग प्रदर्शन में समस्याएँ आ सकती हैं।</li><li>गर्मी के मौसम, तापमान नियंत्रण को 5-7 °C पर सेट नहीं करें। इससे भी कूलिंग प्रदर्शन में समस्याएँ आ सकती हैं।</li></ul>
Power Cool (पावर कूल)	<p>Power Cool (पावर कूल) पंखे की अधिकतम गति पर ठंडा करने की प्रक्रिया को तेज़ कर देता है। फ्रिज कई घंटों तक पूरी गति से चलता रहता है और फिर पिछले तापमान पर लौट जाता है।</p> <ul style="list-style-type: none"><li>Power Cool (पावर कूल) को सक्रिय करने के लिए, Fridge (फ्रिज) को दबाएँ और 3 सेकेंड तक रोक कर रखें। अनुकूल संकेतक (🌀) जल जाता है, और रेफ्रिजरेटर कूलिंग प्रक्रिया को तेज़ कर देता है।</li><li>Power Cool (पावर कूल) को निष्क्रिय करने के लिए, Fridge (फ्रिज) को फिर से दबाएँ और 3 सेकेंड तक रोक कर रखें। फ्रीज पिछली तापमान सेटिंग पर लौट जाता है।</li></ul> <p>📌 <b>नोट</b></p> <p>Power Cool (पावर कूल) का उपयोग करने से बिजली की खपत बढ़ जाती है। यदि आपका इसका उपयोग करने का इरादा नहीं है तो इसे ऑफ़ करना और पिछले तापमान पर लौटना सुनिश्चित करें।</p>



<p>Vacation (अवकाश)</p>	<p>यदि आप अवकाश या बिज़नेस यात्रा पर जा रहे हैं, या आपका इरादा लंबे समय तक फ्रीज का उपयोग नहीं करने का है, तो Vacation (अवकाश) मोड का उपयोग करें।</p> <p>(केवल टाइप ए और टाइप बी के लिए)</p> <ul style="list-style-type: none"> <li>• Vacation (अवकाश) मोड सक्रिय करने के लिए, 1 °C संकेतक के चुने रहते Fridge (फ्रिज) दबाएँ। अवकाश संकेतक (  ) ऑन हो जाता है जबकि फ्रीज तापमान का डिस्प्ले ऑफ़ हो जाएगा। टाइप ए (ठंडा चयन+) और टाइप बी (ठंडा चयन क्षेत्र) मॉडल का डिस्प्ले भी ऑफ़ हो जाता है। फ्रीज तापमान को नियंत्रित करके 15 °C से कम रखा जाएगा, लेकिन फ्रीजर पूर्व में सेट किए गए की तरह सक्रिय रहता है।</li> <li>• Vacation (अवकाश) मोड को निष्क्रिय करने के लिए, Fridge (फ्रिज) को फिर से दबाएँ। फ्रीज का तापमान 7 °C पर बहाल हो जाएगा। ध्यान दें कि टाइप ए (ठंडा चयन+) और टाइप बी (ठंडा चयन क्षेत्र) वाले मॉडल फ्रीज के तापमान सेटिंग पर वापस चले जाते हैं।</li> </ul> <p>(केवल टाइप सी मॉडल के लिए)</p> <ul style="list-style-type: none"> <li>• Vacation (अवकाश) मोड को सक्रिय करने के लिए, Vacation (अवकाश) को दबाएँ और 3 सेकेंड तक रोक कर रखें। अवकाश ऑन संकेतक ऑन हो जाता है जबकि फ्रीज तापमान का डिस्प्ले ऑफ़ हो जाएगा। फ्रीज तापमान को नियंत्रित करके 15 °C से कम रखा जाएगा, लेकिन फ्रीजर पूर्व में सेट किए गए की तरह सक्रिय रहता है।</li> <li>• Vacation (अवकाश) मोड को निष्क्रिय करने के लिए, Vacation (अवकाश) को फिर से दबाएँ और 3 सेकेंड तक रोक कर रखें। फ्रीज का तापमान पिछली सेटिंग पर लौट जाएगा।</li> </ul> <p><b>📌 नोट</b></p> <p>इसकी पुरजोर अनुशंसा की जाती है कि फ्रीज कंपार्टमेंट खाली कर दिया जाए और दरवाज़ा का बंद होना सुनिश्चित हो।</p> <p>ठंडा चयन+/ठंडा चयन क्षेत्र मॉडल के लिए Vacation (अवकाश)मोड को बिल्कुल फ्रिज सेटिंग की तरह 15 °C के अंतर्गत नियंत्रित किया जाता है। हालाँकि मॉडल के आधार पर प्रासंगिक संकेतक बंद हो जाता है।</p>
-----------------------------	--




# परिचालन

## 04 ठंडा चयन+ / ठंडा चयन क्षेत्र

Cool Select+ (ठंडा चयन+) (टाइप ए)	<p>Cool Select+ (ठंडा चयन+) को दबाएँ और 3 सेकेंड तक रोक कर रखें। फिर, वांछित मोड चुनने के लिए फिर से दबाएँ। अनुकूल संकेतक ऑन हो जाता है।</p> <ul style="list-style-type: none"><li>• Fridge (फ्रिज) अगर चयनित हो, तो ठंडा चयन क्षेत्र 3 °C पर सेट हो जाएगा।</li><li>• Soft Freeze (सॉफ्ट फ्रीज) अगर चयनित हो, तो ठंडा चयन क्षेत्र -5 °C पर सेट हो जाएगा। यह माँस और/या मछली को लंबे समय तक रखने के लिए उपयोगी होता है।</li><li>• Freezer (फ्रीजर) अगर चयनित हो, तो ठंडा चयन क्षेत्र -12 °C पर सेट हो जाएगा। यह जमी हुई सब्जियों को लंबे समय तक रखने के लिए उपयोगी होता है।</li></ul>
Cool Select Zone (ठंडा चयन क्षेत्र) (टाइप बी)	<p>Cool Select Zone (ठंडा चयन क्षेत्र) को दबाएँ और 3 सेकेंड तक रोक कर रखें। फिर, वांछित मोड चुनने के लिए फिर से दबाएँ। अनुकूल संकेतक ऑन हो जाता है।</p> <ul style="list-style-type: none"><li>• Fridge (फ्रिज) अगर चयनित हो, तो ठंडा चयन क्षेत्र 3 °C पर सेट हो जाएगा।</li><li>• -1 °C Zone (-1 °C ज़ोन) अगर चयनित हो, तो ठंडा चयन क्षेत्र -1 °C पर सेट हो जाएगा। यह खराब होने वाले खाद्य पदार्थों को रखने में उपयोगी होता है।</li><li>• Fast Cooling (तेज़ कूलिंग) अगर आप खाद्य पदार्थों को तेजी से ठंडा करना चाहते हैं तो इसका चयन करें। ठंडा चयन क्षेत्र अधिकतम गति पर 60 मिनट के लिए खाद्य पदार्थों को ठंडा करेगा।</li></ul>

## 05 दरवाज़े का अलार्म / नियंत्रण लॉक

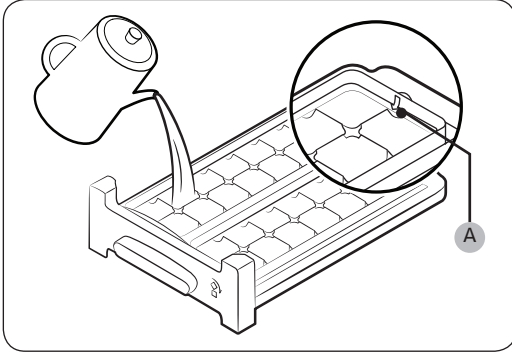
Door Alarm (दरवाज़े का अलार्म)	<p>आप रिमाइंडर के लिए अलार्म सेट कर सकते हैं। अगर दरवाज़ा 2 मिनट से अधिक देर तक खुला रहता है, तो अलार्म अलार्म संकेतक के चमकने के साथ बजेगा। आप Door Alarm (दरवाज़े का अलार्म) को दबाकर अलार्म को सक्षम या अक्षम करने के लिए टॉगल कर सकते हैं। अलार्म फ़ैक्टरी डिफ़ॉल्ट रूप से सक्षम होता है।</p>
Control Lock (नियंत्रण लॉक)	<p>दुर्घटनावश हेरफेर रोकने के लिए, Control Lock (नियंत्रण लॉक) को सक्रिय करने के लिए Door Alarm (दरवाज़े का अलार्म) को दबाएँ और 3 सेकेंड तक रोक कर रखें। संकेतक (  ) ऑन रखते हुए सभी नियंत्रण अक्षम किए जाएंगे। निष्क्रिय करने के लिए, फिर से दबाएँ और 3 सेकेंड तक रोक कर रखें। नियंत्रण सामान्य रूप से सक्षम हो जाएँगे।</p>

## विशेष सुविधाएँ

आपके रेफ्रिजरेटर की वास्तविक छवि और विशेष फ़ंक्शन, मॉडल और देश के अनुसार भिन्न हो सकते हैं।

### बर्फ़ बनाना (केवल उपयुक्त मॉडल)

#### ट्विस्ट आइस मेकर



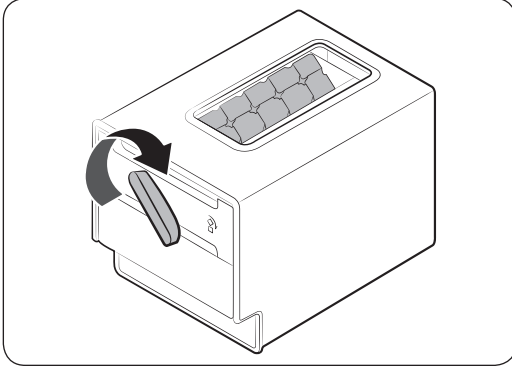
1. फ़्रीजर का दरवाज़ा खोलें, और आइस ट्रे को सरका कर खोलें।
2. ट्रे के पिछले अंदरूनी हिस्से में चिह्नित **अधिकतम स्तर (A)** तक पानी भर दें।
3. ट्रे को सरका कर वापस उसके स्थान पर लगा दें।

#### नोट

बर्फ़ जमाने का समय आपकी तापमान सेटिंग पर निर्भर करता है।

#### नोट

- सुनिश्चित करें कि आइस क्यूब संग्रहण डिब्बा आइस ट्रे के नीचे रखा गया हो।
- बर्फ़ के टुकड़े निकालने के लिए, डिब्बे के हैंडल को दाएँ मोड़ें ताकि लगभग आधे बर्फ़ के टुकड़े बाहर निकल आएँ। फिर, इसे बाएँ मोड़ें ताकि शेष भी बाहर निकल आए।
- डिब्बे को थोड़ा से मोड़ कर और सामने की तरफ बाहर खींच कर निकालें।



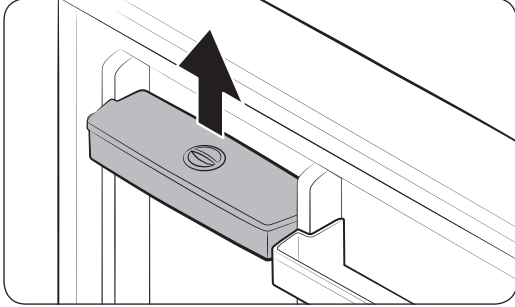
# परिचालन

## वॉटर डिस्पेंसर

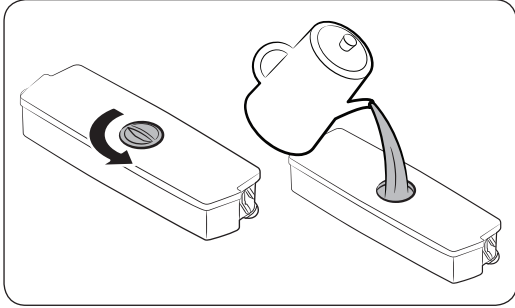
वॉटर डिस्पेंसर के द्वारा आप रेफ्रिजरेटर का दरवाजा खोले बिना ही पानी प्राप्त कर सकते हैं। उपयोग से पहले पानी की टंकी को पीने के पानी से भर देना चाहिए।

### पानी की टंकी को पीने के पानी से भरने के लिए

दरवाजा खोलें और पानी की टंकी खोजें जो दरवाजा शेल्फ क्षेत्र में होता है।



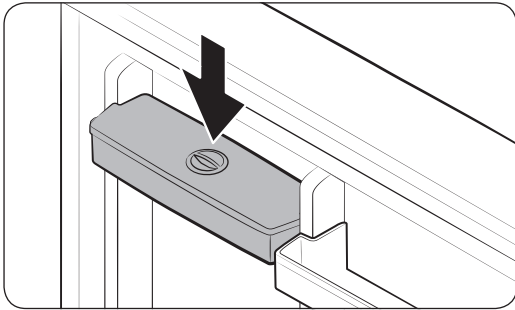
1. पानी की टंकी के दोनों तरफ मौजूद दस्तों को पकड़ें और निकालने के लिए ऊपर उठाएँ।



2. पानी की टंकी को 2.8 लीटर पीने के पानी से भर दें। आप ऊपर के ढक्कन या कवर को निकाल सकते हैं और पानी ढालें।

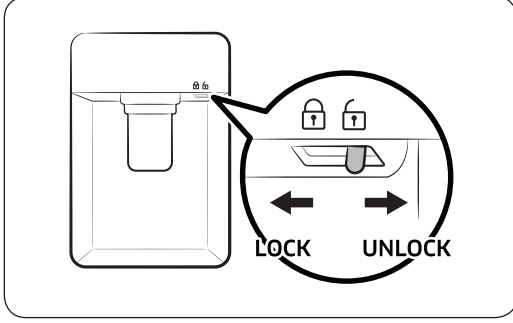
### नोट

पहली बार के उपयोग के लिए, पानी की टंकी को अंदर से साफ़ करें।



3. पानी की टंकी को फिर से लगाएँ और दरवाजा को बंद कर दें। सुनिश्चित करें कि पानी की टंकी का जल निकास सामने की तरफ हो।





4. पानी के गिलास को डिस्पेंसर के जल निकास के नीचे रखें, और पानी निकालने के लिए डिस्पेंसर लीवर को आहिस्ते से दबाएँ। सुनिश्चित करें कि वॉटर डिस्पेंसर का लॉक खुला हो।

#### ⚠ सावधानी

- वॉटर डिस्पेंसर पीने का पानी वितरित करने के लिए डिज़ाइन किया गया है। पानी की टंकी को केवल पीने के पानी से भरें। किसी अन्य द्रव्य से न भरें।
- पानी की टंकी को ज्यादा नहीं भरें, इसके कारण पानी बह कर निकल सकता है।
- पानी की टंकी को दरवाज़ा से बाहर निकाले बगैर पानी भरने का प्रयास नहीं करें।
- सुनिश्चित करें कि पानी की टंकी ठीक तरह से स्थापित हो।
- पानी की टंकी के बिना रेफ्रिजरेटर का प्रयोग न करें। इससे प्रदर्शन और कार्यकुशलता कम हो सकती है।
- पानी का छलकना रोकने के लिए, सुनिश्चित करें कि गिलास डिस्पेंसर लीवर की सीध में हो।

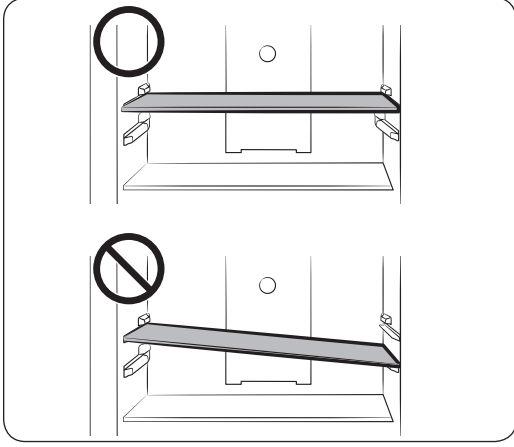
#### 📖 नोट

अधिक जगह प्राप्त करने के लिए, आप पानी की टंकी का उपयोग खाद्य पदार्थ रखने के लिए कर सकते हैं। ऐसी स्थिति में, टंकी का ढक्कन निकाल दें।

# रखरखाव

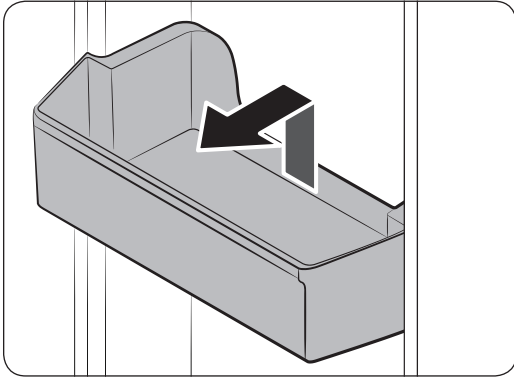
## प्रबंधन और देखभाल

### फ्रीजर और फ्रीज शल्फ



- शल्फ निकालने के लिए, पहले दरवाजा पूरी तरह खोलें। शल्फ को सामने की तरफ खींचें, ऊपर उठाएँ, और फिर बाहर खींचें।
- शल्फ को झुका कर उसके स्थान पर लगाने का प्रयास नहीं करें।

### डोर बिन



डोर बिन को थोड़ा सा ऊपर उठाएँ और उसे बाहर की ओर खींचें।

#### ⚠ चेतावनी

दुर्घटनाओं को रोकने के लिए, डोर बिन को निकालने से पहले उन्हें खाली करें।



## सफ़ाई

पावर प्लग टर्मिनलों और संपर्क बिंदुओं से धूल या पानी जैसे सभी बाहरी पदार्थों को हटाने के लिए नियमित रूप से सूखे कपड़े का उपयोग करें।

1. रेफ्रिजरेटर की बिजली की तार को प्लग से निकाल दें।
2. रेफ्रिजरेटर के अंदरूनी और बाहरी हिस्से को साफ़ करने के लिए नम मुलायम रोआँ-मुक्त कपड़े या पेपर टॉवल का उपयोग करें।
3. सफ़ाई पूरा हो जाने पर, अच्छी तरह से सूखाने के लिए सूखे कपड़े या पेपर टॉवल का उपयोग करें।
4. रेफ्रिजरेटर चालू करने के लिए रेफ्रिजरेटर के बिजली के प्लग को सॉकेट में लगाएँ।

### 📌 नोट

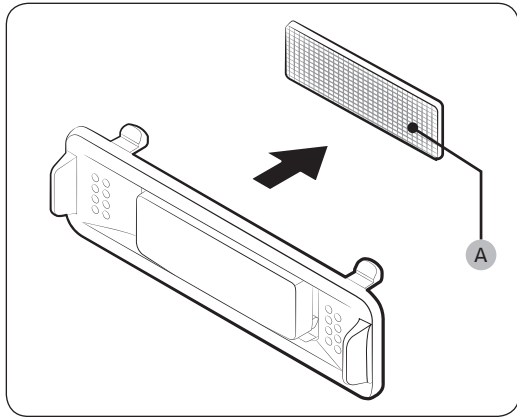
यदि आपने सफ़ाई के लिए किन्हीं हटाने योग्य हिस्सों को निकाला हो, तो क्या शामिल है अनुभाग में समग्र लेआउट देखें ताकि सही ढंग से वापस लगाना सुनिश्चित हो सके।

### ⚠ चेतावनी

- सफ़ाई के लिए बेन्ज़ीन, थिनर, या होम/कार डिटर्जेंट जैसे कि Clorox™ का उपयोग नहीं करें। वे रेफ्रिजरेटर की सतह को क्षति पहुँचा सकते हैं और आग लगा सकते हैं।
- रेफ्रिजरेटर पर पानी का छिड़काव न करें। इसके कारण बिजली का झटका लग सकता है।
- डिस्पेंसर के छिद्र में उंगलियाँ या अन्य वस्तुएँ न डालें।

## प्रतिस्थापन

### डीयोडोराइज़र फ़िल्टर (केवल उपयुक्त मॉडल)



फ़िल्टर केस का ऊपरी और निचला हिस्सा पकड़े हुए, फ़िल्टर केस को अनलॉक करें ताकि डीयोडोराइज़र फ़िल्टर (A) प्रकट हो सके। फ़िल्टर बदलें, और फिर केस को पुनः लगा दें।

### लैंप और जीवाणुरोधी फ़िल्टर

लैंप या जीवाणुरोधी फ़िल्टर उपयोगकर्ता द्वारा मरम्मत योग्य नहीं होते हैं। उन्हें स्वयं बदलने का प्रयास नहीं करें। उन्हें बदलने के लिए, स्थानीय Samsung सर्विस सेंटर से संपर्क करें।



# समस्या-निवारण

यदि आप रेफ्रिजरेटर के साथ किसी असामान्य स्थिति का सामना करते हैं, तो पहले नीचे प्रदान तालिका देखें और सुझावों को आजमाएँ।

## सामान्य

लक्षण	कार्य
संचालन या ठंडा न करें।	<ul style="list-style-type: none"><li>सुनिश्चित करें कि बिजली की तार सही ढंग से लगी हो।</li><li>सुनिश्चित करें कि तापमान नियंत्रण सही ढंग से सेट हो।</li><li>रेफ्रिजरेटर को सीधी धूप या गर्मी के स्रोत दूर रखना सुनिश्चित करें। ऐसा करने में विफलता के कारण कूलिंग प्रदर्शन प्रभावित हो सकता है।</li><li>सुनिश्चित करें कि रेफ्रिजरेटर से पीछे और बगल की दीवारों या कैबिनेट की दूरी पर्याप्त हो। ऐसा करने में विफलता के कारण कूलिंग प्रदर्शन प्रभावित हो सकता है।</li><li>अत्यधिक खाद्य पदार्थ रेफ्रिजरेटर के वेंटिलेशन को बाधित कर सकता है। रेफ्रिजरेटर का सामान्य परिचालन बनाए रखने के लिए, अंदर बहुत अधिक खाद्य पदार्थ नहीं रखें।</li></ul>
फ्रीज में रखा भोजन जम जाता है।	<ul style="list-style-type: none"><li>जाँचें कि क्या तापमान नियंत्रण न्यूनतम तापमान पर सेट है। यदि ऐसा है, तो तापमान को बदल कर अधिक या इष्टतम कर दें।</li><li>यह तब होता है जब परिवेशी तापमान बहुत कम होता है। तापमान को अधिक पर सेट करें।</li><li>जाँचें कि क्या पानी की अधिक मात्रा वाला भोजन फ्रीज के सबसे ठंडे जगह में या कूलिंग वेंट के निकट रखा गया है। यदि ऐसा है, तो भोजन को फ्रीज के दूसरे शेल्फ में रख दें।</li></ul>
शोर करता है।	<ul style="list-style-type: none"><li>सुनिश्चित करें कि रेफ्रिजरेटर किसी स्थिर, सपाट सतह पर स्थापित है।</li><li>सुनिश्चित करें कि रेफ्रिजरेटर से पीछे और बगल की दीवारों या कैबिनेट की दूरी पर्याप्त हो।</li><li>सुनिश्चित करें कि रेफ्रिजरेटर के अंदर या नीचे गंदगी या बाहरी वस्तुएँ न हों।</li><li>रेफ्रिजरेटर अंदर से आवाज उत्पन्न कर सकता है, जो तब उत्पन्न होता है जब अलग-अलग हटाने योग्य हिस्से सिकुड़ते या फैलते हैं। यह प्रणाली की खराबी नहीं है।</li></ul>
सामने के कोने और बगल के हिस्से गर्म हो जाते हैं और संघनन आरंभ हो जाता है।	<ul style="list-style-type: none"><li>संघनन की रोकथाम के लिए, रेफ्रिजरेटर के सामने के कोनों में ताप-रोधी पाइप होते हैं। यदि परिवेशी तापमान बढ़ जाता है, तो यह उपकरण संभवतः प्रभावी ढंग से काम न करे। यह प्रणाली की खराबी नहीं है।</li><li>रेफ्रिजरेटर की बाहरी सतह पर संघनन हो सकता है यदि नम हवा रेफ्रिजरेटर की ठंडी सतह के संपर्क में आए।</li></ul>

लक्षण	कार्य
आइस मेकर बर्फ नहीं बनाता है।	<ul style="list-style-type: none"> <li>रेफ्रिजरेटर के बर्फ बनाने से पहले आपको 12 घंटे इंतजार करना चाहिए।</li> <li>सुनिश्चित करें कि बर्फ बनाते समय आइस मेकर रूका हुआ न हो।</li> <li>सुनिश्चित करें कि फ्रीजर 0 °C (या गर्म परिवेशी हवा में -5 °C) से कम पर सेट हो।</li> <li>सुनिश्चित करें कि पानी की टंकी पानी से भरी हो।</li> </ul>
पानी का डिस्पेंसर काम नहीं कर रहा है।	<ul style="list-style-type: none"> <li>जाँचें कि क्या पानी की टंकी जम तो नहीं गई है। यदि ऐसा है, तो उच्चतर फ्रीज तापमान चुनें।</li> <li>सुनिश्चित करें कि पानी की टंकी पानी से भरी हो।</li> <li>सुनिश्चित करें कि पानी की टंकी ठीक तरह से स्थापित हो।</li> <li>सुनिश्चित करें कि पानी का फिल्टर ठीक तरह से स्थापित हो।</li> </ul>
बुलबुले की आवाज उत्पन्न करता है।	<ul style="list-style-type: none"> <li>रेफ्रिजरेटर यह आवाज कूलिंग प्रक्रिया के दौरान उत्पन्न करता है, जो कि सामान्य है।</li> </ul>
रेफ्रिजरेटर के अंदर से बदबू आती है।	<ul style="list-style-type: none"> <li>किन्हीं खराब हो चुके भोजन के लिए जाँच करें। हम रेफ्रिजरेटर को नियमित रूप से साफ करने और किन्हीं खराब या संदिग्ध खाद्य पदार्थों को हटा देने की अनुशंसा करते हैं।</li> <li>सुनिश्चित करें कि तेज़ गंध वाले भोजन वायुरुद्ध तरीके से ढके हों।</li> </ul>
अंदरूनी दीवारों पर तुषार जम जाता है।	<ul style="list-style-type: none"> <li>सुनिश्चित करें कि कोई भी खाद्य पदार्थ रेफ्रिजरेटर के वायु निकास को अवरुद्ध न करे। यह भी महत्वपूर्ण है कि वायु-संचार के लिए खाद्य पदार्थ समान रूप से रखे गए हों।</li> <li>सुनिश्चित करें कि दरवाज़ा ठीक ढंग से बंद हो।</li> </ul>
अंदरूनी दीवारों या सब्जियों के चारों तरफ संघनन हो सकता है।	<ul style="list-style-type: none"> <li>यह तब होता है जब पानी की अधिक मात्रा वाला खाद्य पदार्थ बिना ढके रखा गया हो, या दरवाज़ा कुछ समय के लिए खुला छोड़ दिया गया हो।</li> <li>सुनिश्चित करें कि खाद्य पदार्थ ढके हुए हों या बंद डिब्बों में रखे हों।</li> </ul>

# मेमो

---

# मेमो

---

## SAMSUNG WORLD WIDE से संपर्क करें

अगर Samsung उत्पादों से संबंधित आपके कोई प्रश्न या टिप्पणियाँ हैं, तो कृपया SAMSUNG ग्राहक सेवा केंद्र से संपर्क करें।

देश	संपर्क केंद्र	वेबसाइट
INDIA	1800 40 SAMSUNG (1800 40 7267864) (Toll-Free)	<a href="http://www.samsung.com/in/support">www.samsung.com/in/support</a>
NEPAL	16600172667 (Toll Free for NTC Only) 9801572667	<a href="http://www.samsung.com/in/support">www.samsung.com/in/support</a>
BANGLADESH	09612300300 08000300300 (Toll free)	<a href="http://www.samsung.com/in/support">www.samsung.com/in/support</a>
SRI LANKA	+9411SAMSUNG (+94117267864)	<a href="http://www.samsung.com/in/support">www.samsung.com/in/support</a>

यह उत्पाद RoHS अनुवर्ती है।



DA68-03370F-07