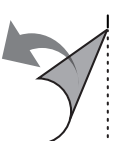
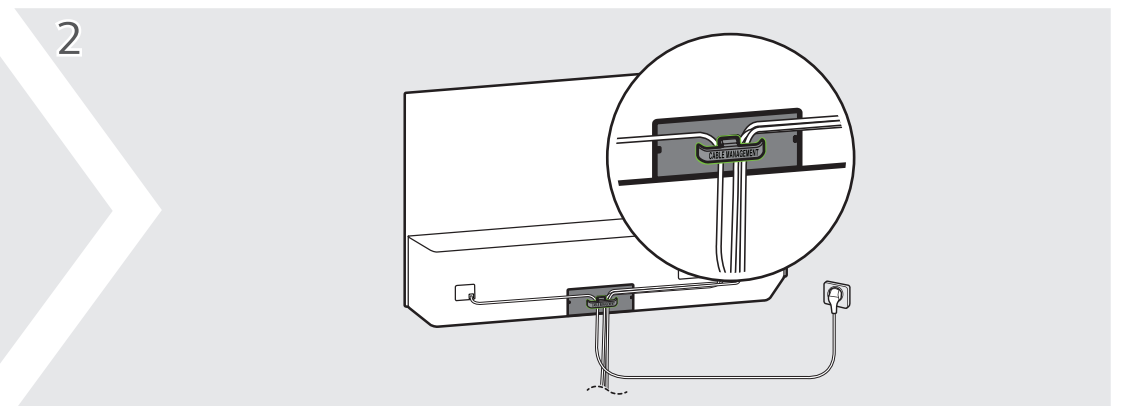
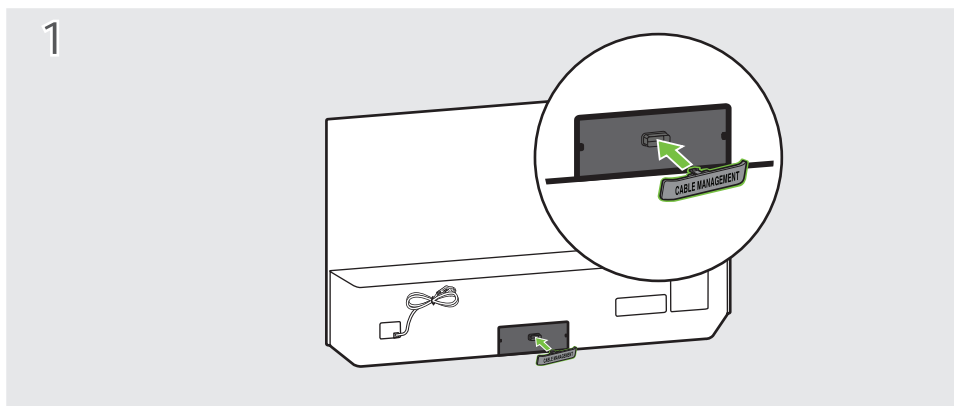
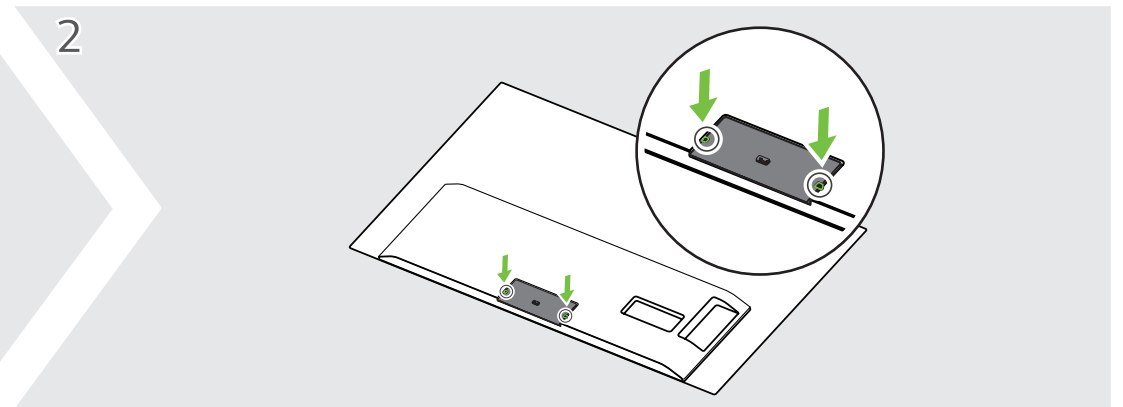
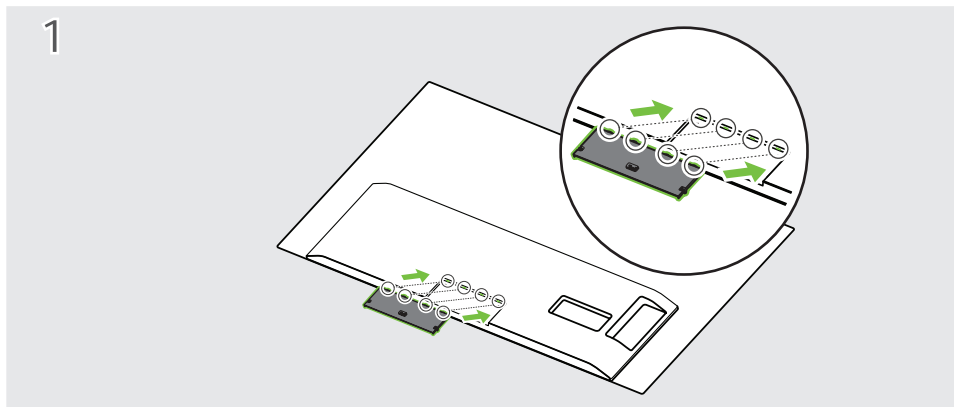
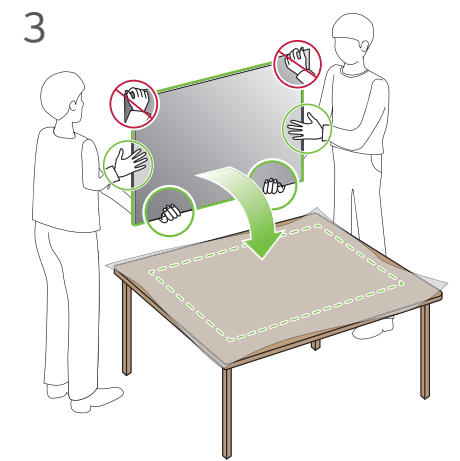
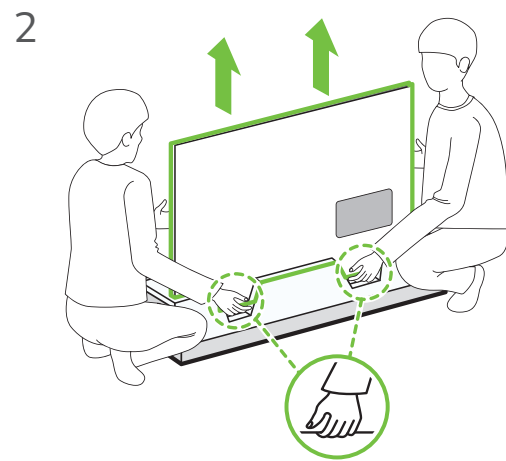
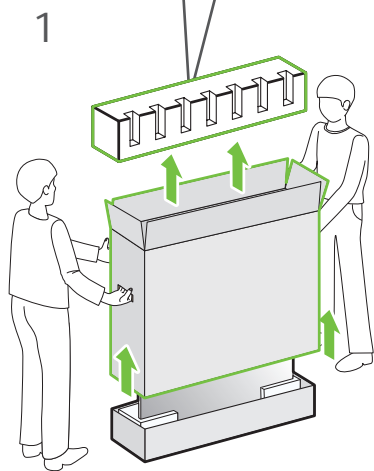
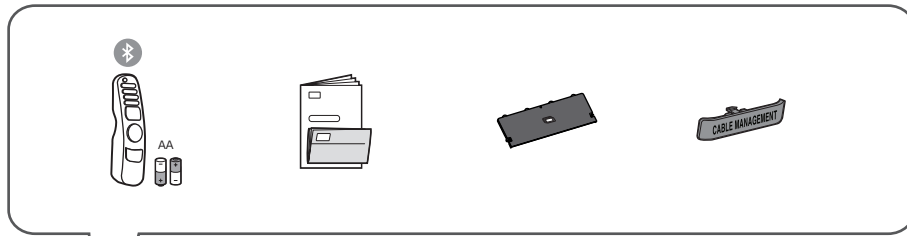
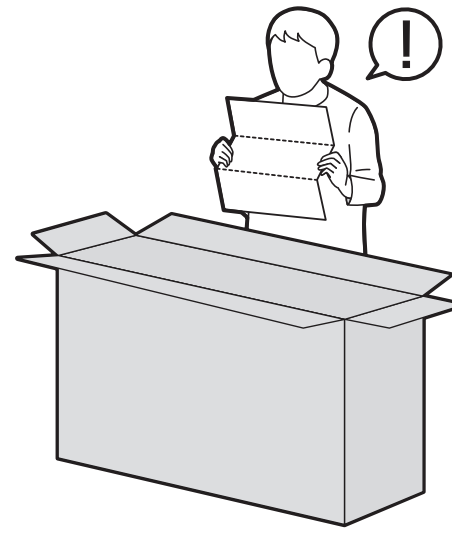


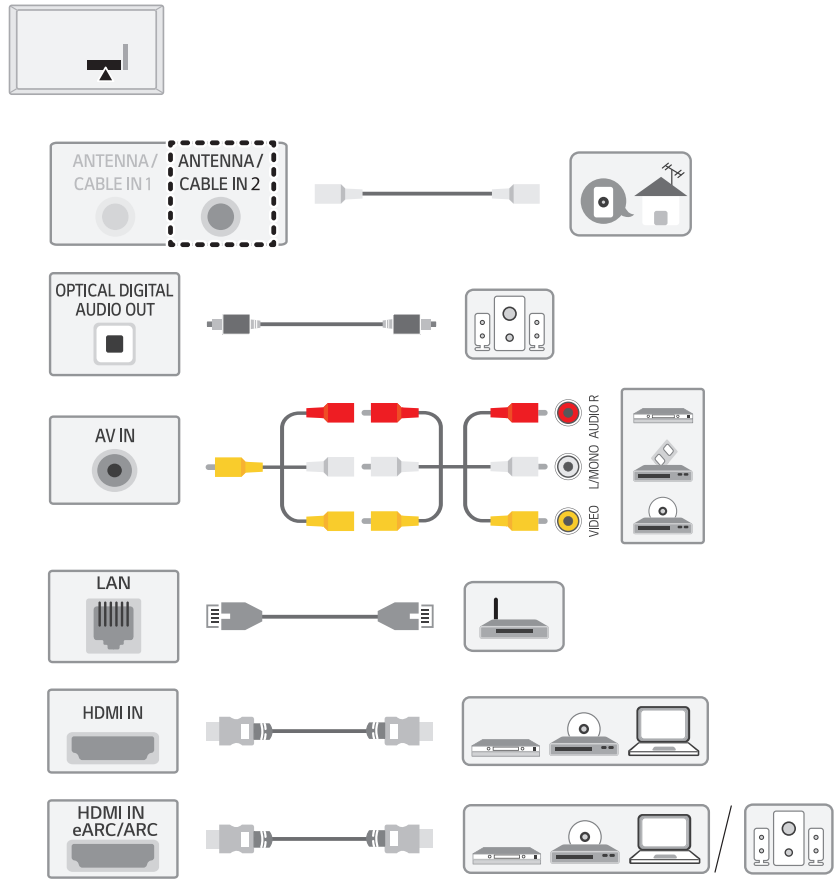
OLED55B2*
OLED65B2*

Quick Start Guide



Images shown in manual may vary depending on model
Unpacking
 Check your product box for the following items. If there are any missing accessories, contact the local dealer where you purchased your product. The illustrations in this manual may differ from the actual product and item.

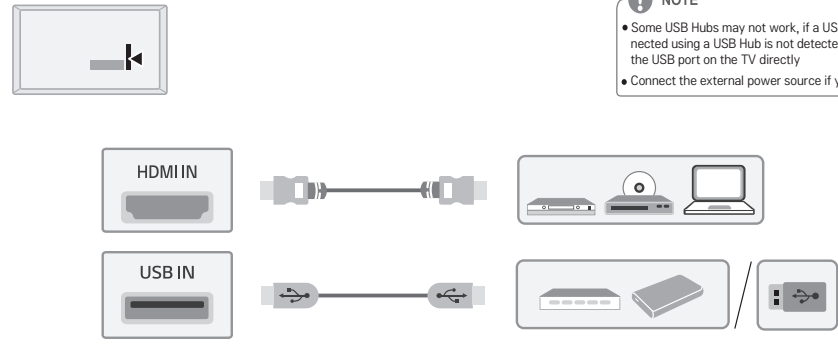




ARC (Audio Return Channel)
An external audio device that supports SIMPLINK and ARC must be connected using HDMI IN eARC/ARC port. When connected with a high-speed HDMI cable, the external audio device that supports ARC outputs SPDIF audio without additional audio cable and supports the SIMPLINK function.

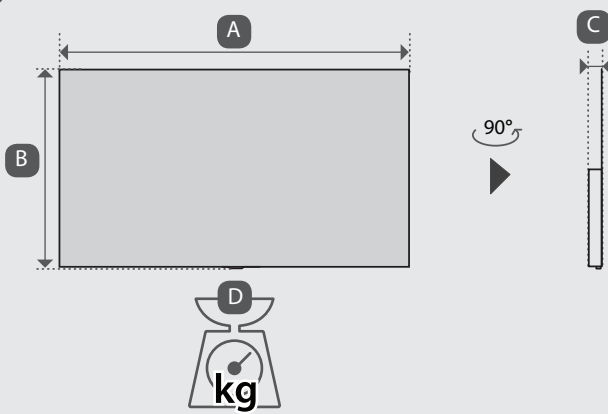
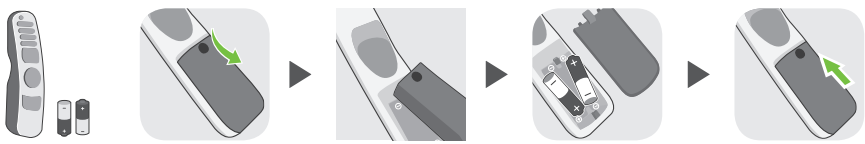
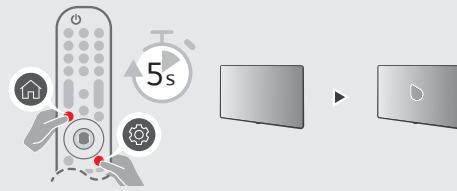
NOTE

- Do not look into the optical output ports, looking at the laser beam may damage your vision.
- Audio with ACP (Audio Copy Protection) function may block digital audio output.

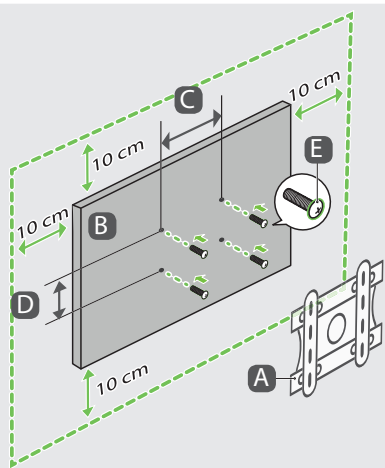


NOTE

- Some USB Hubs may not work, if a USB device connected using a USB Hub is not detected, connect it to the USB port on the TV directly.
- Connect the external power source if your USB is needed.



	A	B	C	D
	(mm)			(kg)
OLED55B2PSA	1228	708	46.9	18.9
OLED65B2PSA	1449	832	46.9	24.0
Power requirement			AC 100-240 V-50/60 Hz	



A	B	C x D (mm)	E
Wallmount	OLED55/65B2*	300 x 200	M6



• Read **Safety and Reference**.

- ⊕ : Depending on model
- The Analog Gender adapter can be purchased separately at Customer Service.