

WIRELESS TYPE ROOM AIR CONDITIONER OPERATION MANUAL

PART No. 9386269148

AX SERIES

ENGLISH

Refer to the rating label with the serial number.
MADE IN THAILAND

Before using this product, read these instructions thoroughly and keep this manual for future reference.

Safety Precautions

To prevent personal injury, injury to others, or property damage, read this section carefully before you use this product, and be sure to comply following safety precautions.

Incorrect operation due to failure to follow the instructions may cause harm or damage, the seriousness of which is classified as follows:

WARNING

This mark warns of death or serious injury.

CAUTION

This mark warns of injury or damage to property.

WARNING

- Do not attempt to install this air conditioner by yourself.
- This unit contains no user-serviceable parts. Always consult authorized service personnel for repairs.
- When moving, consult authorized service personnel for disconnection and installation of the unit.
- Do not become over-exposed to cold air by staying in the direct path of the air flow of the air conditioner for extended periods of time.
- Do not insert fingers or objects into the outlet port or intake grille.
- Do not start and stop air conditioner operation by turning off the electrical breaker or disconnecting the power supply plug and so on.
- Take care not to damage the power supply cord.
- Do not modify the power cables, use extension cables, or use any branches in the wiring. Improper connections, insufficient insulation, or exceeding the allowable current can cause electric shock or fire.
- Do not bundle the power supply cable.

- In the event of a malfunction (burning smell, etc.), immediately stop operation, turn off the electrical breaker or disconnect the power supply plug, and consult authorized service personnel.
- Always turn off the electrical breaker or disconnect the power supply plug whenever cleaning the air conditioner or the air filter.
- This appliance is not intended for use by persons (including children) with reduced physical, sensory or mental capabilities, or lack of experience and knowledge, unless they have been given supervision or instruction concerning use of the appliance by a person responsible for their safety. Children should be supervised to ensure that they do not play with the appliance.
- If you see lightning or hear thunder, there might be a lightning strike. To prevent electric shock hazard, turn off the air conditioner by using the remote controller, and do not touch the unit or the power plug during thunderstorm.

CAUTION

- Provide occasional ventilation during use.
- Do not direct airflow at fireplaces or heating apparatus.
- Do not climb on, or place objects on the air conditioner.
- Do not hang objects from the unit.
- Do not set flower vases or water containers on top of air conditioners.
- Do not expose the air conditioner directly to water.
- Do not operate the air conditioner with wet hands.
- Do not pull power supply cord.
- Turn off power source when not using the unit for extended periods.
- Check the condition of the installation stand for damage.
- Do not place animals or plants in the direct path of the airflow.
- Do not drink the water drained from the air conditioner.
- Do not touch the aluminum fins of heat exchanger built-in the indoor or outdoor unit to avoid personal injury when you install or maintain the unit.

- Do not use in applications involving the storage of foods, plants or animals, precision equipment, or art works.
- Do not apply any heavy pressure to radiator fins.
- Operate only with air filter installed.
- Do not block or cover the intake grille and outlet port.
- Ensure that any electronic equipment is at least 1 m away from the unit.
- Avoid installing the air conditioner near a fireplace or other heating apparatus.
- When installing the unit, take precautions to prevent access by infants.
- Do not use inflammable gases near the air conditioner.
- Always turn off the electrical breaker or disconnect the power supply plug whenever cleaning the air conditioner or the air filter.

Power Supply

WARNING

- In order to enable efficient and trouble-free operation of your air conditioner, connect the power plug of your air conditioner through an exclusive circuit, having a time delay fuse, to the correct power supply described on the rating plate.
- The circuit breaker with all pole disconnection must be incorporated in permanent wiring.
- If the power supply cord is damaged, it must be replaced by the manufacturer, its service agent, or similarly qualified persons in order to avoid a hazard.
- This appliance shall be installed in accordance with national wiring regulations.

Connect BROWN line of the power supply cable to the "Live" terminal of the power outlet, and the earth (ground) line (GREEN and YELLOW) to the earth (ground) terminal.

Remaining line should be connected to the neutral terminal of the power outlet.

Preparation

Loading batteries (AAA/R03/LR03×2) on the remote controller

WARNING

Take precautions to prevent infants from accidentally swallowing batteries.

CAUTION

- When not using the remote controller for an extended period, remove the batteries to avoid possible leakage and damage to the unit.
- If leaking battery fluid comes in contact with your skin, eyes, or mouth, immediately wash with copious amounts of water, and consult your physician.
- Dead batteries should be removed quickly and disposed of properly, either by placing in a public battery collection receptacle, or by returning to a properly equipped dealer.

- Press and slide the battery compartment lid on the reverse side to open it.

Slide in the direction of the arrow while pressing the mark.

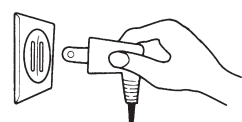
- Insert batteries.

Be sure to align the battery polarities (+/-) correctly.

- Close the battery compartment lid.

Notes:

- Never mix new and used batteries, or batteries of different types.
- Batteries should last about 1 year under normal use. If the remote controller's operating range becomes appreciably reduced, replace the batteries and press the reset button with the tip of a ballpoint pen or other small object.
- Signals will not be transmitted properly if a wall, curtain, or other object is between the air conditioner and the remote control unit.
- The air conditioner may fail to operate properly if strong direct light is allowed to strike the signal receiver. Use a curtain to shade strong sunlight from windows, and place strong lamps at a distance away from the signal receiver.
- Do not place the remote control unit in locations where it may be subjected to heat from direct sunlight or from heating apparatus.
- Do not subject the remote control unit to strong impacts, and do not allow water or other liquids to splash on it.
- When the remote control unit is used in rooms furnished with instant-lighting type fluorescent lamps, the air conditioner may fail to receive control signals correctly. Consult with authorized service personnel when purchasing a new fluorescent lamp.
- When you change the setting temperature higher than 24 °C, the changed setting temperature will be saved.
- If another electric appliance is operated by the remote control unit move the appliance away or consult with authorized service personnel.



Connect securely, without looseness.



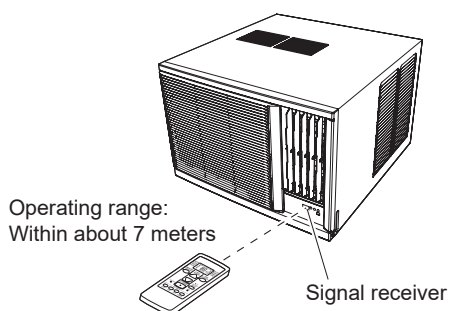
In the case of direct line connections, turn on the breaker.

Turn on the power

Connect the power plug to an electrical point.

To use the remote controller

- The remote control unit must be pointed at signal receiver to operate correctly.
- When a signal is properly received by the air conditioner, a beeping sound will be heard.
- If no beep is heard, press the remote control unit button again.



Basic Operations

Mode Operation (COOL, DRY, and FAN)

Cooling: Use to cool your room.

Drying: Use for gently cooling while dehumidifying your room.

- You cannot heat the room during drying mode.
- During drying mode, the unit will operate at low speed, in order to adjust room humidity, the unit's fan may stop from time to time. Also, the fan may operate at very low speed when detecting room humidity.
- The fan speed cannot be changed manually when drying mode has been selected.

Fan: Use to circulate air through your room without changing its temperature.

- You cannot use the unit to heat and cool your room.

Each time the MODE button is pressed, the mode will change in the following order.



About 3 seconds later, the entire display will reappear.

Thermostat Setting

△ button: Press to raise the thermostat setting.

▽ button: Press to lower the thermostat setting.

- Thermostat setting range:

AUTO 18-30 °C
Cooling/Dry 18-30 °C

The thermostat cannot be used to set room temperature during the FAN mode (the temperature will not appear on the remote controller's display.)

About 3 seconds later, the entire display will reappear.

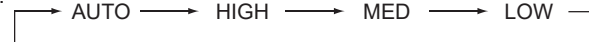
The thermostat setting should be considered a standard value, and may differ somewhat from the actual room temperature.

Notes:

- In the following situation, the setting temperature will be 24°C even if you set the setting temperature lower than 24°C.
—When changing the operation mode
—When stopping the operation once, then restart the operation
* When you change the setting temperature higher than 24 °C, the changed setting temperature will be saved.

Fan Speed Setting

Each time the button is pressed, the fan speed changes in the following order:

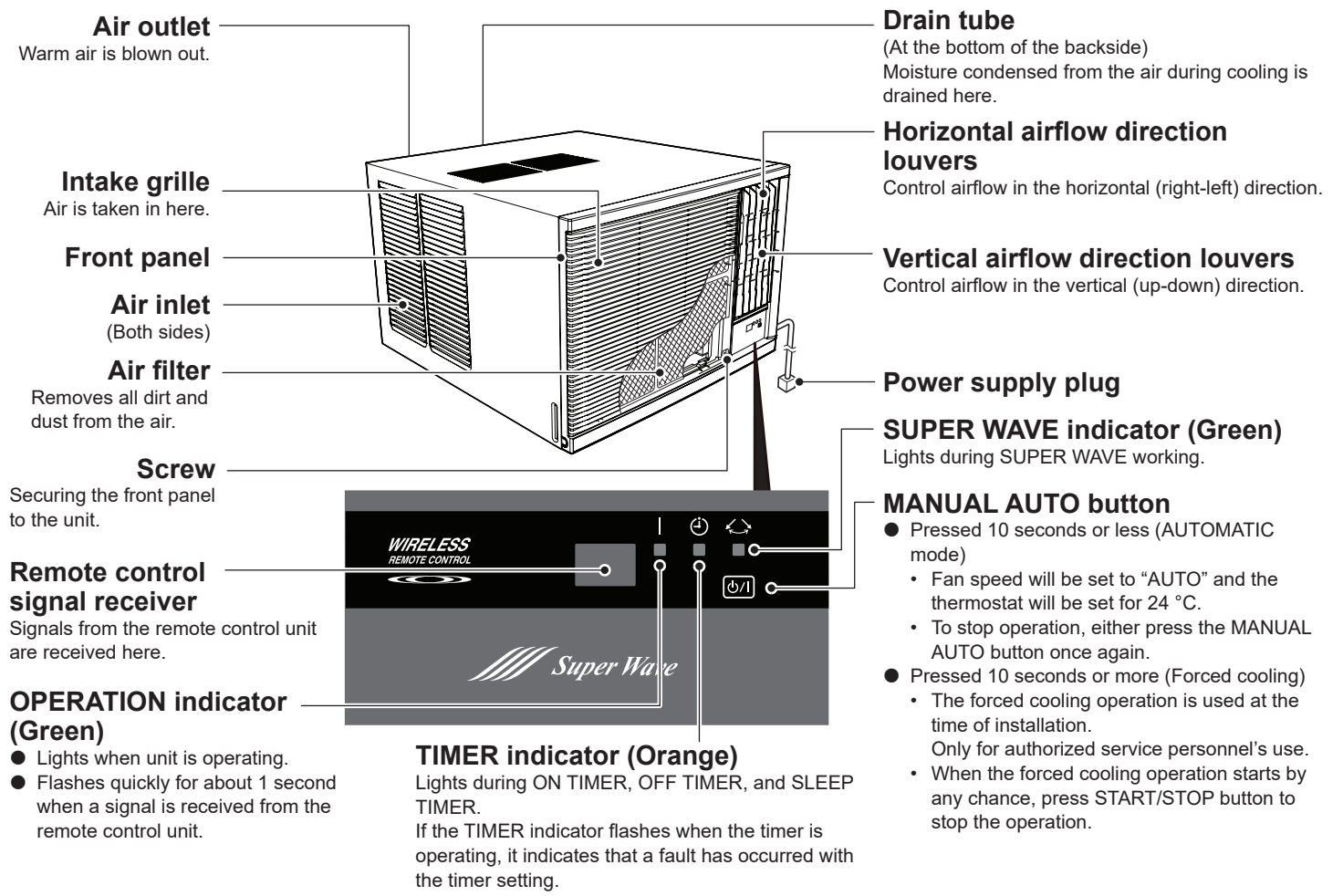


About 3 seconds later, the entire display will reappear.

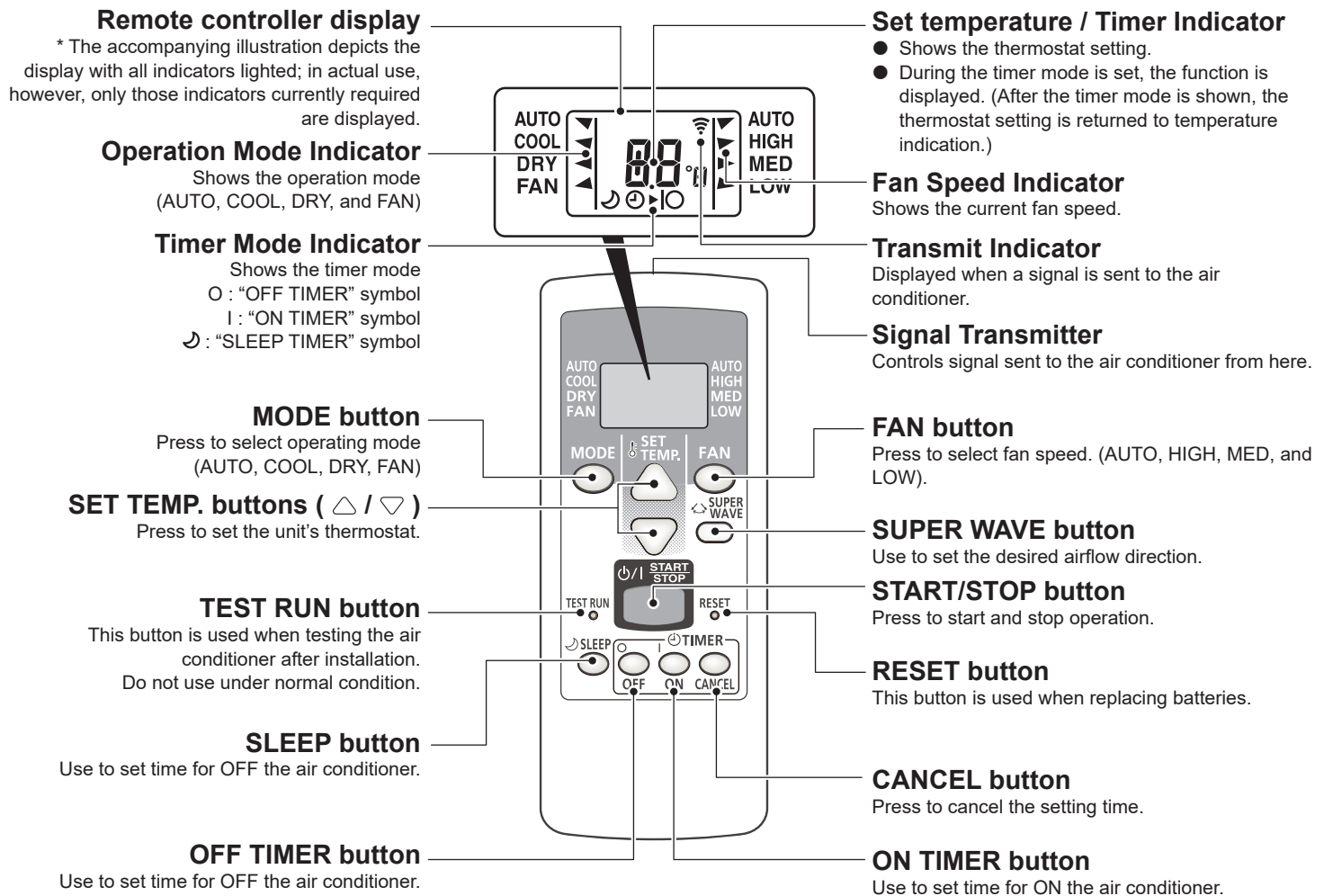
When the FAN CONTROL is set to AUTO:

COOL: Operation begins and as the room temperature approaches that of the thermostat setting, the fan speed switches to the low setting.

Unit Overview



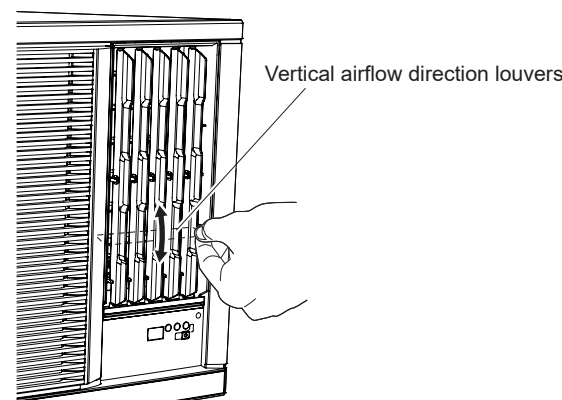
Remote Controller Overview



Airflow Direction Adjustment

Vertical airflow direction louvers:

Rotate the vertical airflow louvers upward, or downward.



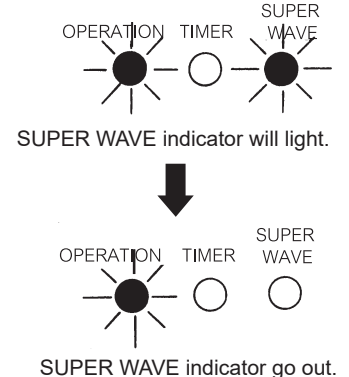
Right-Left Airflow-direction Louvers:

Control airflow in the horizontal (right-left) direction.

When the SUPER WAVE button is pressed, the louvers move and blow air to the left and right.

To stop SUPER WAVE operation, press the button again.

Indicators



Automatic Operation

- When Automatic operation first selected, the fan will operate at low speed for 1 minute, during which time the unit detects the room conditions and selects the proper operating mode.

If the difference between thermostat setting and actual room temperature is more than +2°C→Cooling operation

If the difference between thermostat setting and actual room temperature is less than +2°C→Dry operation

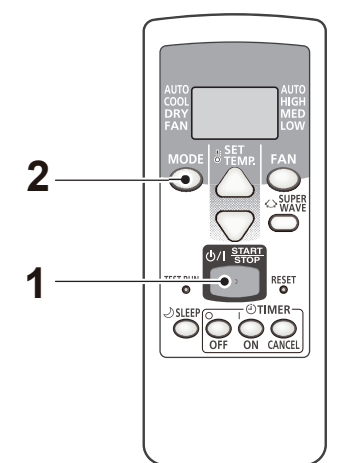
- If the mode automatically selected by the unit is not what you wish, select one of the mode operation (COOL, DRY, and FAN.)

- Press the START/STOP button.

The air conditioner will start operation.

- Press the MODE button to select AUTO.

The operating mode "AUTO" will appear alone in the display. The transmit indicator will flash to indicate the command has been sent, and about 3 seconds later the entire display panel will reappear.



Temperature and Humidity Range

Permissible ranges of temperature and humidity are as follows:

	Outdoor temperature: About 21 °C to 55 °C
Cooling Operation	Indoor temperature: About 18 °C to 35 °C
	Indoor humidity: About 80 % or less. If the unit is used for long periods under conditions of high humidity, water may condense on and drip from the surface of the unit.
Drying Operation	Outdoor temperature: About 18 °C to 55 °C
	Indoor humidity: About 18 °C to 35 °C
	Indoor humidity: If the unit is used for long periods under conditions of high humidity, water may condense on and drip from the surface of the unit.

If the unit is used under higher temperature conditions than those noted here, the automatic protection circuit may operate, interrupting the operation. If the unit is used under lower temperature conditions than those noted here, the heat exchanger may freeze, causing water leakage or other malfunction.

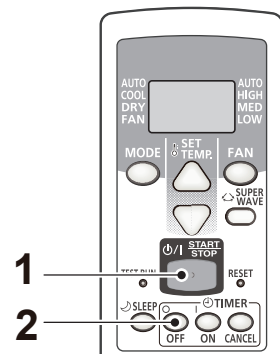
- Do not use the air conditioner for any purpose other than room cooling, room drying or fan.

TIMER Operation

OFF TIMER (stops the air conditioner operation at the set time)

- Press the START/STOP button.
(If the unit is already operating, proceed to step 2).
The unit's green OPERATION indicator will light.
- Press OFF TIMER button to select desired times.
Press OFF TIMER button to change from temperature setting to timer indicator.
Each time the button is pressed, the time changes in the following order:
0.5 → 1.0 → 1.5 → 2.0 → ... → 9.0 → 9.5 → 10 → 11 → 12 (hour)

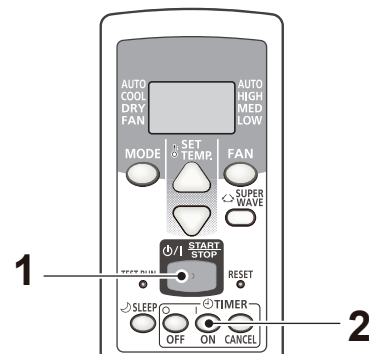
Set the time while the OFF TIMER indicator (⊙) on the remote controller's display is flashing.



ON TIMER (begins the air conditioner operation at the set time)

- Press the START/STOP button.
(If the unit is already operating, proceed to step 2).
The unit's green OPERATION indicator will light.
- Press ON TIMER button to set the expected time.
If ON TIMER button is pressed, it will be changed into time indication from temperature indication.
Each time the button is pressed, the time changes in the following order:
6.0 → 6.5 → 7.0 → ... → 9.0 → 9.5 → 10 → 11
5.5 ← 5.0 ← ... ← 1.0 ← 0.5 ← 12 (hour)

Set the time while the ON TIMER mark (⊙) on the remote controller's display is flashing.
Note: When you set the setting temperature lower than 24 °C and activate the On timer, the setting temperature will be changed at 24 °C. You can change the setting temperature.



To Cancel the TIMER

Press the CANCEL button.

To Stop the Air Conditioner Operation while the TIMER is Operating

Press the START/STOP button.

To Change the TIMER Settings

Press the ON TIMER button or OFF TIMER button as required.

To Change Operating Conditions

If you wish to change the operating conditions (mode, fan speed, thermostat setting), after making the timer setting, wait until the entire display reappears, then press the appropriate buttons to change to the desired operating condition.

SLEEP TIMER Operation

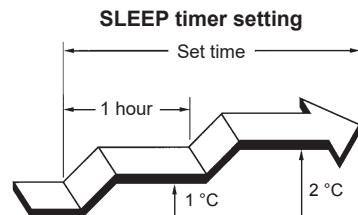
Unlike other timer functions, the SLEEP timer is used to set the length of time until air conditioner operation is stopped.

About SLEEP TIMER

To prevent excessive warming or cooling during sleep, the SLEEP timer function automatically modifies the thermostat setting in accordance with the time setting. When the time has elapsed, the air conditioner completely stops.

During Cooling/Dry operation:

When the SLEEP timer is set, the thermostat setting is automatically raised 1 °C every 1 hour.
When the thermostat has been raised a total of 2 °C, the thermostat setting at that time is maintained until the set time has elapsed, at which time the air conditioner automatically turns off.



To Use the SLEEP TIMER

While the air conditioner is operating or stopped, press the SLEEP button.

The SLEEP TIMER indicator (⊙) on the remote controller's display will light.

Within 3 seconds after the indicator lights, the time can be changed by pressing SLEEP button once again.

Each time the button is pressed, the time changes in the following order:
1.0 → 2.0 → 3.0 → 5.0 → 7.0 → 9.0 (hour)

About 3 seconds later, the entire display will reappear.

The unit's OPERATION indicator (green) and the TIMER indicator (orange) light.

To Change the SLEEP TIMER Settings

Press the SLEEP button once to display the last setting time.

Press the SLEEP button again to change the time.

Each time the button is pressed, the time changes in the following order (Change from the last setting time):
1.0 → 2.0 → 3.0 → 5.0 → 7.0 → 9.0 (hour)

To Cancel the TIMER

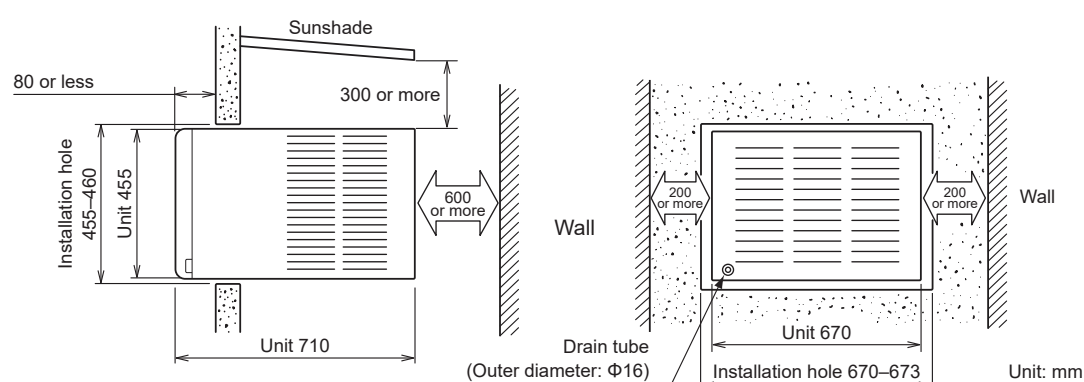
Press the CANCEL button.

To Stop the Air Conditioner Operation while the TIMER is Operating

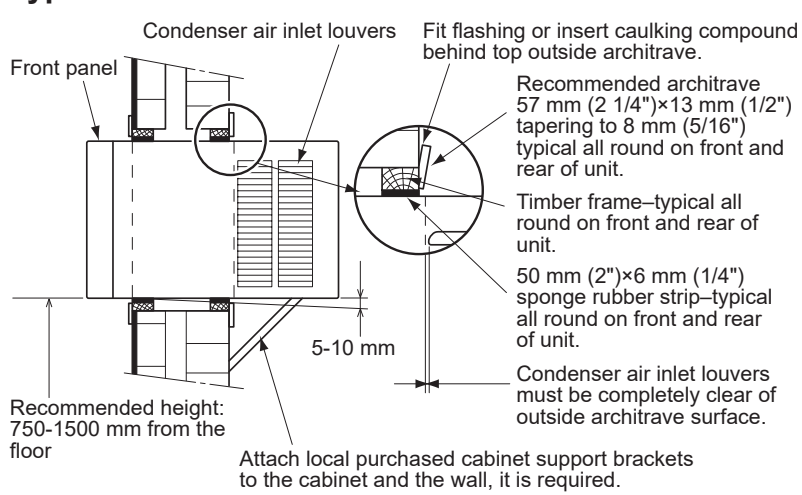
Press the START/STOP button.

Installation

Installation dimension



Typical installation



In the event of a malfunction (burning smell, etc.), immediately stop operation, disconnect the power plug, and consult authorized service personnel.

In the place where bears be sufficient to the weight of the air conditioner concerning installation, noise and vibration choose such place without increasing.

- For installation, avoid any places in direct sunlight. Combined installation with a sunshade is recommended; installing the unit under direct sunlight may cause low cooling performance or increasing of the electricity consumption.
- Consult the installation in a special place to a selling agent. Because sea breeze sometimes becomes to a cause of malfunction by corrosion etc., in the case that the place become use with machine oil, the place of many place etc., that occur, sulfuration gas such as a hot spring area that hits in a seashore area it buys and give consultation to that selling agent.
- Avoid the neighborhood that be discharged dust, a lampblack, steam, such as an exhaust port, a ventilation fan.
- It is place where do not give neighbors trouble about removal water or a wind and noise.
- Where practicable, locate the air conditioner with the lower edge of the cabinet approximately 0.75 m (29.5") to 1.5 m (59") from the floor. This usually gives the optimum air circulation pattern within the room for cooling and heating.
- When installing the attached insulation (620 mm x 40 mm, t12), insert it from the inside of the room so that the insulation fills up the gap between the rails on the inner bottom of the cabinet and bottom side of the base.

Error Codes

If you use a wireless remote controller, the lamp on the photodetector unit will output error codes by way of blinking patterns. See the Indicator blinking patterns and error codes in the table below. An error display is displayed only during operation.

Error display			Description
OPERATION Indicator (green)	TIMER Indicator (orange)	SUPER WAVE Indicator (green)	
●(3)	●(5)	◇	Manual auto switch error
●(4)	●(1)	◇	Room temperature sensor error
●(4)	●(2)	◇	Heat exchanger temperature sensor error

• Display mode ● : 0.5s ON / 0.5s OFF, () : Number of flashing, ◇ : 0.1s ON / 0.1s OFF

Care and Maintenance

CAUTION

- During maintenance, be sure to place the removed components in a safe place to avoid damage to them.
- Do not touch the aluminum fins of heat exchanger built-in the indoor or outdoor unit to avoid personal injury when you install or maintain the unit. Also, pay attention not to be scratched or pinched your hand by inner parts.
- Never use water hotter than 40 °C. The unit body may warp or change color.
- Do not use inflammable sprays such as lacquer or hair spray near the air conditioner.
- The unit can be damaged by gasoline, benzine, thinners, insecticides and other chemical agents.
- Before cleaning the unit, be sure to turn it off and all the power supply has been disconnected.

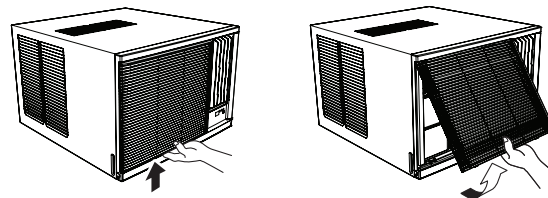
Cleaning the Air Filter

If dirt is allowed to collect in the air filter, the airflow will be reduced, leading to reduced performance, and increased operating noise. Be sure to clean the filters at the beginning of the operating season, and about every 2 weeks during periods of frequent operation.

The air filter is attached to the front panel, and you need to remove the intake grille first, when you get access to the air filter.

Intake grille removal

Push the bottom of the intake grille up with your hand, and pull it toward you.

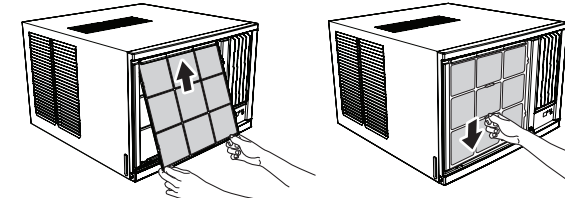


Air filter cleaning

Use a vacuum cleaner to remove dust and dirt from the air filter, or wash in a synthetic detergent. After washing, dry in a shaded place, then reinstall.

Air filter installation

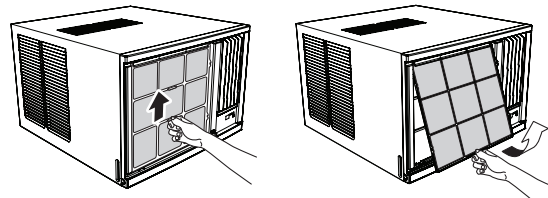
To attach the filter to the front panel, with aligning the both sides of the filter to the front panel, insert the upper edge of the filter to the rail on the front panel. Then make sure that the lower edge of the filter is firmly inserted to the rail too.



The air filter can be installed either way up.
After attaching the air filter, reinstall the intake grille.

Air filter removal

With lifting up small tabs on the air filter, pull the filter toward you.

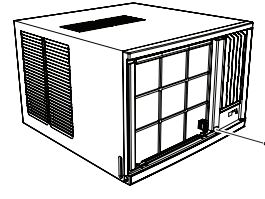


Cleaning the unit

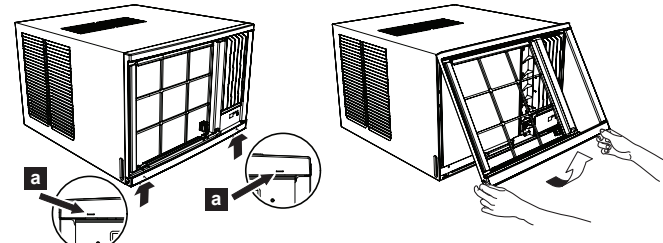
Clean the unit by wiping with a cloth moisten with cool or warm water, then wipe with another soft, clean, and dry cloth.

Front panel removal

1. Remove one screw securing the front panel.

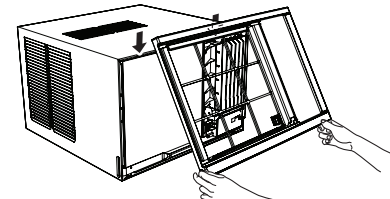


2. Push the small projections on the bottom side of the front panel upward to unlatch the lower side. Then with holding up the front panel with your hands, remove it toward you.

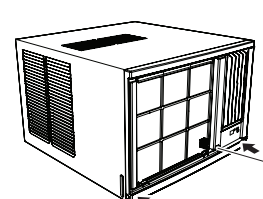


Front panel installation

1. Hook the upper edge of the front panel (2 places) to the unit.



2. Press the lower edge of the front panel, and secure it with the screw.



When not using the unit for extended periods (1 month or more)

Operate the unit on fan mode for about one-half day on a day with clear weather, to assure that the internal parts are dry.
When not using the unit for extended periods, disconnect the power plug for safety.

Check the power cord

- Remove the built-up dirt and dust on the power plug and the electrical outlet periodically.
- Check the power cord occasionally to confirm that it is not damaged by cuts or abrasions. If you discover damage to the cord, consult authorized service personnel.

Inspections and repairs:

Depending on the conditions of use, the internal parts of an air conditioner will become dirty after about two or three season of use, and performance may be affected. For this reason, regular professional maintenance is recommended. Consult authorized service personnel.

Troubleshooting

Before requesting service, perform the following checks:

	Symptom	Problem
NORMAL FUNCTIONS	Does not operate immediately:	<ul style="list-style-type: none"> If the unit is stopped and then immediately started again, the compressor will not operate for about 3 minutes, in order to prevent fuse blowouts. Whenever the power plug is disconnected and then reconnected to a power outlet, the protection circuit will operate for about 3 minutes, preventing unit operation during that period.
	Noise is heard:	<ul style="list-style-type: none"> During operation and immediately after stopping the unit, the sound of water flowing in the air conditioner's piping may be heard. Also, noise may be particularly noticeable for about 2 to 3 minutes after starting operation (sound of coolant flowing). During operation, a slight squeaking sound may be heard. This is the result of minute expansion and contraction of the front cover due to temperature changes.
	Smells:	<ul style="list-style-type: none"> Some smell may be emitted from the unit. This smell is the result of room smells (furniture, tobacco, etc.) which have been taken into the air conditioner.
	Mist or steam are emitted:	<ul style="list-style-type: none"> During cooling operation, a thin mist may be seen emitted from the unit. This results from the sudden cooling of room air by the air emitted from the air conditioner, resulting in condensation and misting.
	Poor cooling performance:	<ul style="list-style-type: none"> The setting temperature may change to the initial setting (24°C) automatically. In this case, set the temperature again.
CHECK ONCE MORE	Does not operate at all:	<ul style="list-style-type: none"> Is the power plug disconnected from its outlet? Has there been a power failure? Has a fuse blown out, or a circuit breaker been tripped? Are the remote controller batteries loaded properly? Is the timer operating?
	Poor cooling performance:	<ul style="list-style-type: none"> Is the air filter dirty? Are the air conditioner's intake grille or outlet port blocked? Did you adjust the room temperature settings (thermostat) correctly? Is there a window or door open? In the case of cooling operation, is a window allowing bright sunlight to enter? (Close the curtains.) In the case of cooling operation, are there heating apparatus or computers inside the room, or are there too many people in the room?
	Poor dry performance:	<ul style="list-style-type: none"> Set the thermostat to a temperature setting that is lower than the present room temperature. Dry modes will not operate if the thermostat is set higher than the actual room temperature.
	The unit operates differently from the remote controller setting:	<ul style="list-style-type: none"> Are the remote controller batteries dead? Are the remote controller batteries loaded properly?

If the problem persists after performing these checks, or if you notice burning smells, or the TIMER indicator flashed, immediately stop operation, disconnect the power plug, and consult authorized service personnel.

AUTO Restart

In Event of Power Interruption

- The air conditioner power has been interrupted by a power failure. The air conditioner will then restart automatically in its previous mode when the power is restored.
- Operated by setting before the power failure.
- If a power failure occurs during TIMER operation, the timer will be reset and the unit will begin (or stop) operation at the new time setting. In the event that this kind of timer fault occurs the TIMER indicator will flash.

Specifications

MODEL	AXGT18FHTC-B		AXGT24FHTC-B
POWER	230 V, 10, 50 Hz		
REFRIGERANT (R410A)	[kg]	1.10	1.10
COOLING	CAPACITY [kW (Btu/h)]	5.37 (18,300)	6.45 (22,000)
	CURRENT [A]	8.2	9.9
	POWER INPUT [kW]	1.80	2.22
	ENERGY EFFICIENCY RATIO [W/W]	2.98	2.91
MAX. CURRENT	[A]	12.5	13.0
MAX. PRESSURE	SUCTION [Mpa]	1.2	
	DISCHARGE [Mpa]	4.8	
DIMENSIONS (W×H×D)	[mm]	670×455×710	
WEIGHT	[kg]	56	62

• Acoustic Noise Information : The maximum sound pressure level is less than 70 dB (A) for both indoor unit and outdoor unit.
According to IEC 704-1 and ISO 3744.

• COOLING CONDITION : INDOOR 27/19 °C (DB/WB) OUTDOOR 35/24 °C (DB/WB)