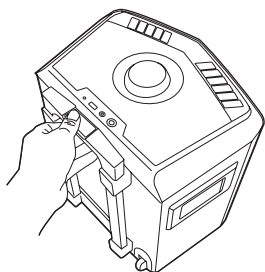


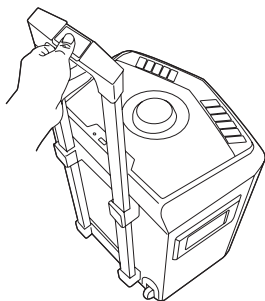
Carrying the unit

The unit has wheels and a handle so you can easily move the unit.

1. Press the lock button on the handle.



2. Pull the handle up.



3. Release the lock button to lock the handle in place.




To retract the handle, press the button and push down.

Additional Information

Specifications

General

Power Requirements	Refer to the main label on the unit.
Power Consumption	Refer to the main label on the unit.
Dimensions (W x H x D)	Approx. 353 mm x 420 mm x 292 mm
Bus Power Supply (USB)	5 V  500 mA

Battery

Battery type	12 V/7.0 Ah (Valve Regulated Lead-Acid rechargeable battery)
Operating time	Approx. 15 hours (Based on fully charging the battery and continuous playback using 50 % volume level.) It may vary depending on the battery status and operational conditions.
Charging time	Approx. 9 hours It may vary depending on the battery status and operational conditions.

Design and specifications are subject to change without notice.

Note

- Do not look directly at the light emitting part when the LIGHTING is turned on.
- If the illumination brightness is glaring, switch on the room lights or turn off the LIGHTING of the unit.



SIMPLE MANUAL

HIGH POWER SPEAKER SYSTEM

Please read this manual carefully before operating your set and retain it for future reference.

To view the instructions of advanced features, visit <http://www.lg.com> and then download Owner's Manual. Some of the content in this manual may differ from your unit.

MODEL

RL2



MFL71382202

1901_Rev01

www.lg.com

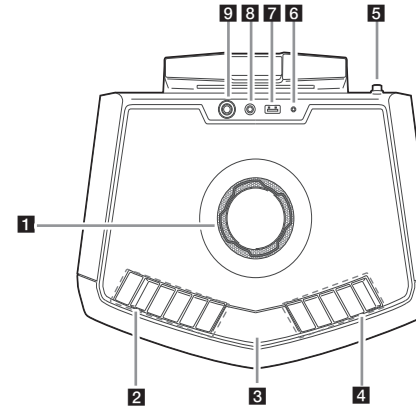
Copyright © 2019 LG Electronics Inc. All Rights Reserved.

Precautions on handling a battery

- This unit has a built-in valve regulated lead-acid rechargeable battery. (12 V/7.0 Ah)
- Do not use the battery in a closed room or near fire.
- Charge the battery under the charging condition specified.
- If any corrosion of the terminals, leakage or deformation of the case of the battery is found, do not use the battery.
- If the battery leaks, while protecting your hands or clothing, remove the battery from the device and should be extremely careful not to infect the skin or eyes.
- If the battery leaks and the liquid inside spills on the skin or clothing, immediately wash it off with plenty of clean water. If the liquid splashes into eyes, immediately flush the eyes with plenty of clean water and consult a doctor.
- Avoid mixed usage of batteries differing in type, manufacturer or history of use.
- Do not throw the battery in fire nor heat the battery.
- Do not short of battery terminals.
- Do not attempt to disassemble, remodel or destroy the battery.
- Do not place the battery near a child.
- The battery can be replaced. If you need to charge your battery more and more frequently, it might be time to replace it. The battery should be serviced by LG Electronics customer care center.
- Charge fully before storing a battery which has not been in use for a long period and turn ON/OFF switch off (OFF). Store the battery in a cool, dry place.
- During storage of the battery, charge it at least once every three months. If the battery is stored for a long period without being charged, its battery life may be shortened.
- The used battery must be recycled or disposed of separately from household waste.



Top Panel



- 1 MASTER VOLUME / MULTI JOG**
- Adjusts speaker volume.
- Selects vocal effects.
- 2** (Standby)
Turns the power on or off.
- MIC (Microphone) VOL. (Volume)**
Adjusts microphone volume with **MASTER VOLUME / MULTI JOG**.
- VOCAL EFFECTS**
Selects various vocal effects mode.
- MIC ECHO / VOICE CANCELLER**
- Selects ECHO mode.
- You can reduce the vocal tones during music playback from various input sources by pressing and holding.

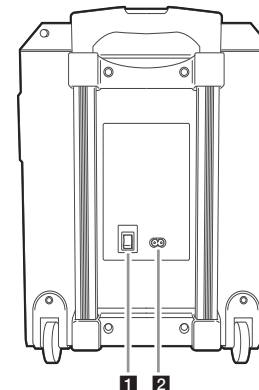
KEY CHANGER
Changes the key to suit your vocal range with **MASTER VOLUME / MULTI JOG**.

LIGHTING
Selects the lighting mode.

- 3** Display window
- 4** **F (Function)**
Selects the function and input source.
⏮/⏭ (Skip/Search)
- Skips backward or forward.
- Searches for a section within a file.
- Selects the radio stations.
⏸ (Play/Pause) PRESET
- Starts or pauses playback.
- Chooses a preset number for a radio station.
- Stores radio stations.
- SOUND EFFECT / REPEAT**
- Chooses sound impressions.
- Listens to your files repeatedly or randomly by pressing and holding.

- 5** FM antenna
- 6** **BATTERY**
Battery charging indicator
- 7** USB port
You can play sound files by connecting the USB device.
- 8** **AUX IN**
Connects a portable device.
- 9** **MIC (Microphone) jack**
Connects a microphone.

Rear Panel



- 1** Power ON/OFF switch
Switches the unit ON or OFF.
(Battery can be charged even when this unit is in off (OFF) status.)
- 2** AC in socket

Fully charge the device before using.