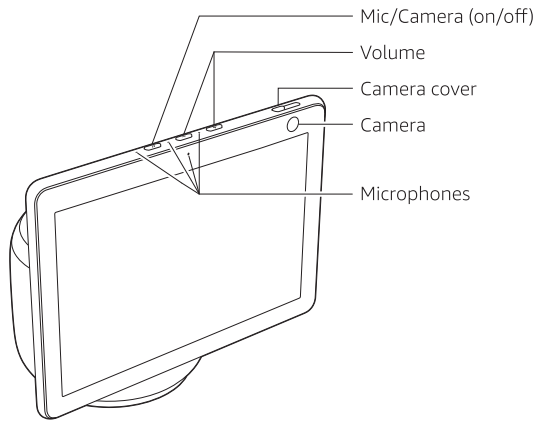


Getting to know your Echo Show 10



Additional features: built-in smart home hub and rotating smart screen.

Alexa is designed to protect your privacy



Wake word and indicators

Alexa doesn't begin listening until your Echo device detects the wake word (for example, "Alexa"). A blue light indicator lets you know when the device is recording your request to stream to Amazon's secure cloud. If you like, you can also enable an audio tone.



Microphone and camera controls

You can electronically disconnect the mics and camera with the press of a button. Slide the built-in cover to close the camera.



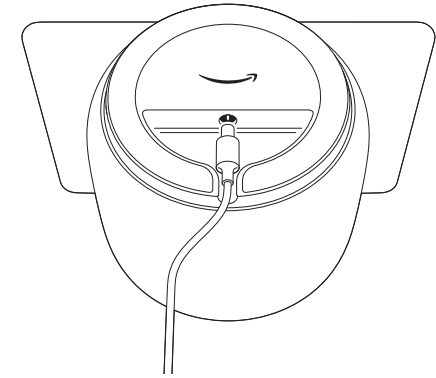
Voice history

Want to know exactly what Alexa heard? You can view and delete the voice recordings associated with your account in the Alexa app at any time.

These are just a few of the ways that you have transparency and control over your Alexa experience. Explore more at amazon.co.uk/alexaprivacy.

Place your Echo Show 10

Thoroughly clean and dry the location you've chosen for your Echo Show 10. Then plug the included power adaptor into the base of the device and set it in place.



To give Echo Show 10 room to rotate, place it at least 15.5 cm from a wall. If you need to place it near a wall, don't worry—it can learn to adjust its rotation range.

Set up your Echo Show 10

Slide the included rotation footprint template around the body of the device.

Important: this template shows the keep-out space around the device. Always keep this space clear of objects such as cups, which may get knocked over.

Follow the on-screen instructions to register your Echo Show 10.

During registration, Echo Show 10 will rotate to calibrate and locate its idle position. After calibrating, you may need to adjust the device so that the screen is facing the direction you'll most often see it from.

Control the rotating smart screen

You can turn motion on, or off, in your device's settings or by asking Alexa. For example, to stop the screen from rotating, simply say "Alexa, turn off motion".

Things to try with your Echo Show 10

Music & radio

Alexa, play music for cooking.
Alexa, what song is this?
Alexa, play Virgin Radio.

Smart home

Alexa, discover my devices.
Alexa, turn on the lights.
Alexa, what's the living room temperature?

Questions & answers

Alexa, who was the first man on the moon?
Alexa, when is sunset?

Timers, alarms & calendars

Alexa, set a 10-minute timer.
Alexa, remind me to water the plants.
Alexa, what's on my calendar today?

News & weather

Alexa, show me the news.
Alexa, show me the weather.

Alexa Communication

Alexa, call Mum.
Alexa, message Dad.

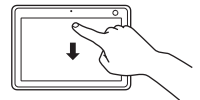
Some features may require customisation in the Alexa app, a separate subscription or an additional compatible smart home device.

You can find more examples and tips in the Alexa app.

Explore your Echo Show 10

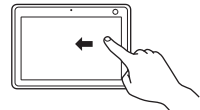
To change your settings

Swipe down from the top of the screen, or say "Alexa, show Settings".



To access shortcuts

Swipe left from the right side of the screen.



Download the Amazon Alexa app

Installing the app on your phone or tablet helps you get more out of your Echo Show 10. It's where you set up calling and messaging, manage music, lists, settings and news.

Give us your feedback

Alexa is always getting smarter and adding new skills. To send us feedback about your experiences with Alexa, use the Alexa app, visit www.amazon.com/devicesupport, or simply say "Alexa, I have feedback".

For help and troubleshooting, go to Help & Feedback in the Alexa app or visit www.amazon.com/devicesupport.